

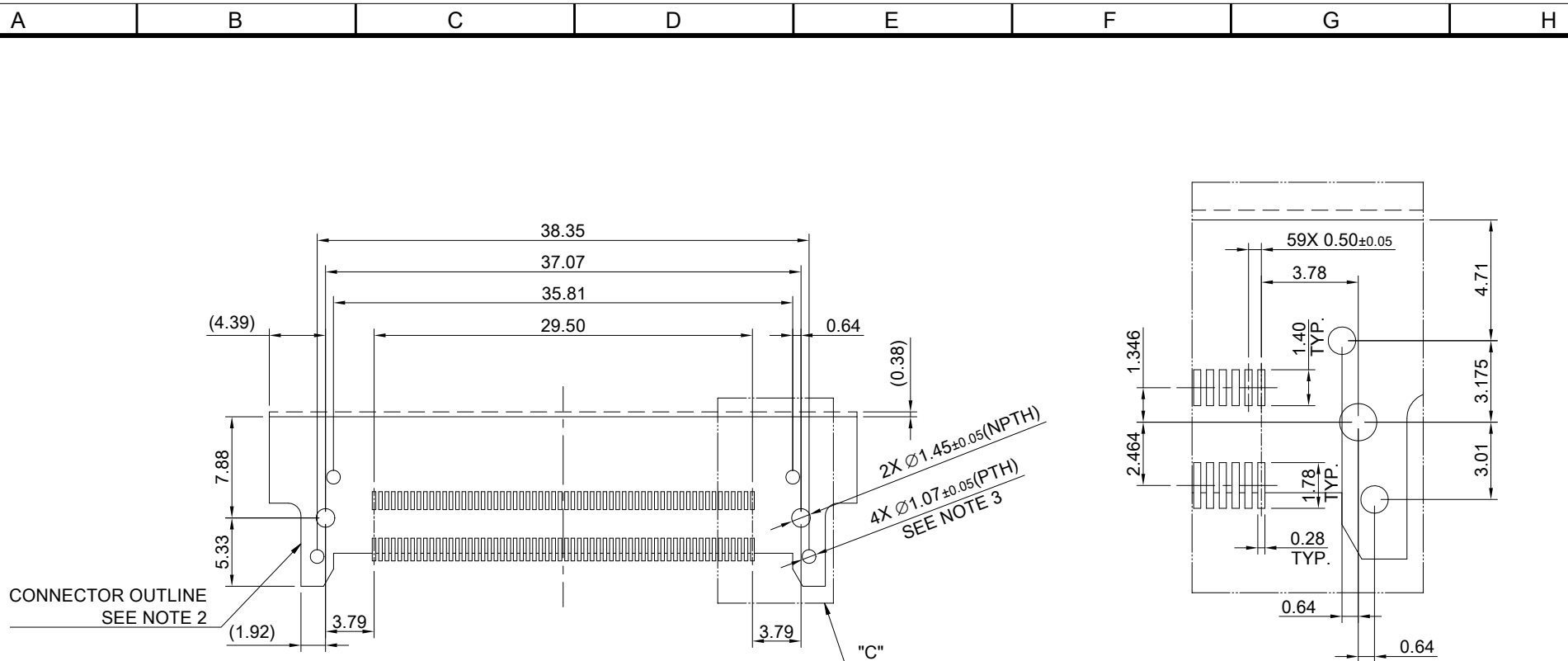
MATERIAL
 CONTACTS: COPPER ALLOY
 INSULATOR: LCP THERMOPLASTIC 94V-0

FINISH
 CONTACTS: 5µ" MIN. GOLD ON MATING END;
 100µ" MIN. MATTE TIN ON SOLDER FOOT AREA
 ALL UNDERPLATED NICKEL

ELECTRICAL CHARACTERISTICS
 CONTACT CURRENT RATING: 2 AMPERE
 VOLTAGE RATING: 275VAC
 MAX CYCLES: 100

ENVIRONMENT
 OPERATION TEMPERATURE: -55°C TO 125°C
 SMT TEMPERATURE: 260°C



	TITLE: 0.50mm Double Row Right Angle Socket Strip (Gen.3)			7
	DWG#: R-BF-059-9AX1		SHEET: 1/2	REV. D
	UNIT: mm	SCALE: A4 2:1	FINISH:	CHECKED: <i>Sheng Wu</i>
	TOLERANCE: Angle: ± 1° X: ± 0.25 .X: ± 0.20 .XX: ± 0.15		MATERIAL: RoHS Compliant	APPROVED: <i>George Yang</i>
		DRAWN: Tony	DATE: 08/09/2022	8



TOLERANCE: ±0.05

DETAIL C
SCALE 2:1

- NOTE
1. ALL DIMENSIONS ARE SYMMETRIC ABOUT THE CENTERLINE.
 2. CONNECTOR OUTLINE. OTHER COMPONENTS PLACED ON PCB, SHALL AVOID THIS AREA.
 3. TO BE SOLDERED USING PASTE IN HOLE TECHNOLOGY.FLOW SOLDER.
 4. NOT RECOMMENDED FOR INVERTED REFLOW SOLDER.
 5. ASSEMBLY COPLANARITY OF DOUBLE ROW : 0.1MM

 ALL BEST ELECTRONICS CO., LTD.	TITLE: 0.50mm Double Row Right Angle Socket Strip (Gen.3)		
	DWG#: R-BF-059-9AX1		SHEET: 2/2
	UNIT: mm	SCALE: A4 2:1	FINISH:
	 THIRD ANGLE PROJECTION		MATERIAL: RoHS Compliant
	TOLERANCE: X± 0.15 .X± 0.10 .XX± 0.05		DRAWN: Tony
		CHECKED: Sheng Wu	
		APPROVED: George Yang	
		DATE: 08/09/2022	