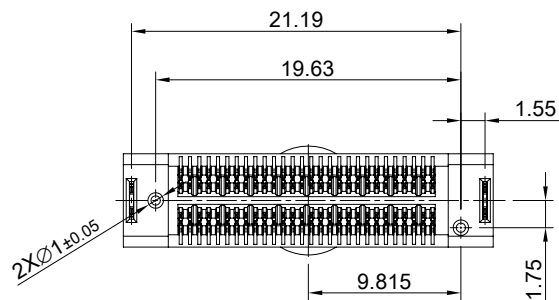


MATERIAL
 CONTACTS AND HOLE DOWNS: COPPER ALLOY
 INSULATOR: LCP THERMOPLASTIC 94V-0

FINISH
 CONTACTS: GOLD FLASH ON MATING END;
 100µ" MIN. MATTE TIN ON SOLDER FOOT AREA
 ALL UNDERPLATED NICKEL

ELECTRICAL CHARACTERISTICS
 CONTACT CURRENT RATING: 3.6 A PER PIN
 VOLTAGE RATING: 175 VAC
 MAX CYCLES: 100

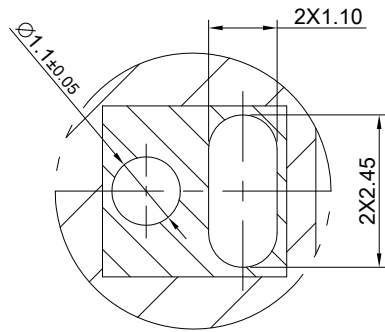
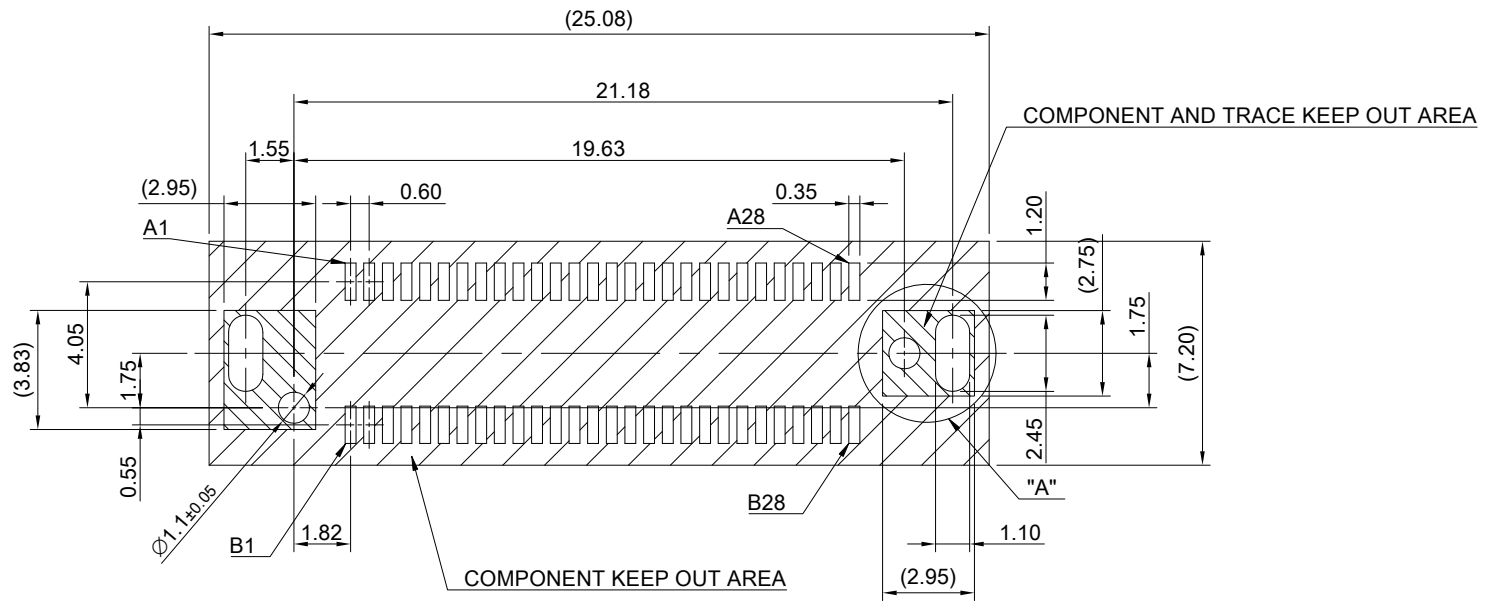
ENVIRONMENT
 OPERATION TEMPERATURE: -55°C TO 125°C
 SMT TEMPERATURE: 260°C



THIS PRINT IS
PRELIMINARY
 UNQUALIFIED PRODUCT
 CONTACT PRODUCT ENGINEERING
 BEFORE USING THIS PRINT



TITLE: PCIE-Gen Z 1C 56Pin Straight Connector			
DWG#: R-CT-GZ6-8AXX		SHEET: 1/2	REV. REF
UNIT: mm	SCALE: A4 2:1	CHECKED:	
THIRD ANGLE PROJECTION		APPROVED:	
TOLERANCE: Angle: ± 1° X: ± 0.25 .X: ± 0.20 .XX: ± 0.15		MATERIAL: RoHS Compliant	DATE: 03/29/2024
		DRAWN: Judy	



DETAIL A
SCALE 2:1

THIS PRINT IS
PRELIMINARY
UNQUALIFIED PRODUCT
CONTACT PRODUCT ENGINEERING
BEFORE USING THIS PRINT



TITLE: PCIe-Gen Z 1C 56Pin Straight Connector

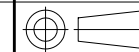
DWG#: R-CT-GZ6-8AXX

UNIT:
mm

SCALE:
A4 4:1

FINISH:

SHEET: 2/2
REV. REF



THIRD ANGLE
PROJECTION

MATERIAL:
RoHS Compliant

APPROVED:

TOLERANCE: Angle: $\pm 1^\circ$
X: ± 0.15 .X: ± 0.10 .XX: ± 0.05

DRAWN:
Judy

DATE:
03/29/2024