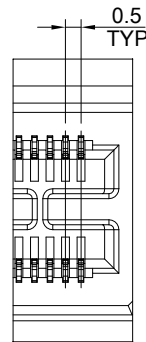
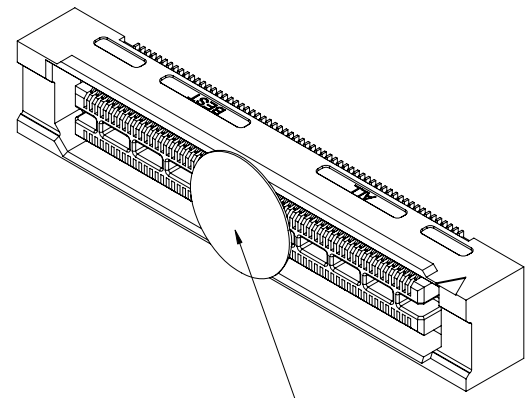


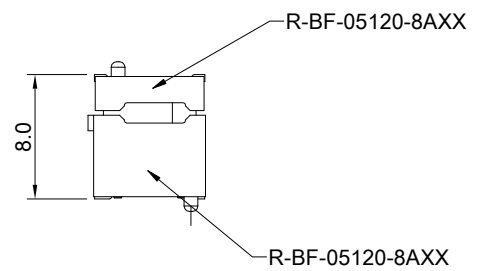
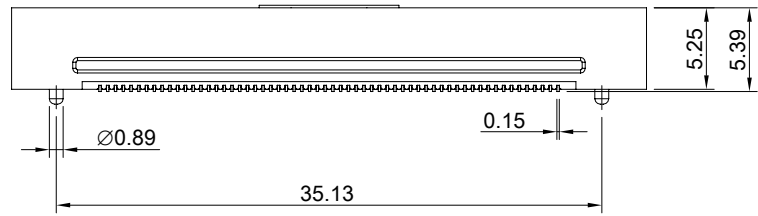
DETAIL A  
SCALE 2:1



DETAIL B  
SCALE 2:1



MYLAR



The combined height of the male and female connectors after mating.

**MATERIAL**  
 CONTACTS: COPPER ALLOY  
 INSULATOR: LCP THERMOPLASTIC 94V-0

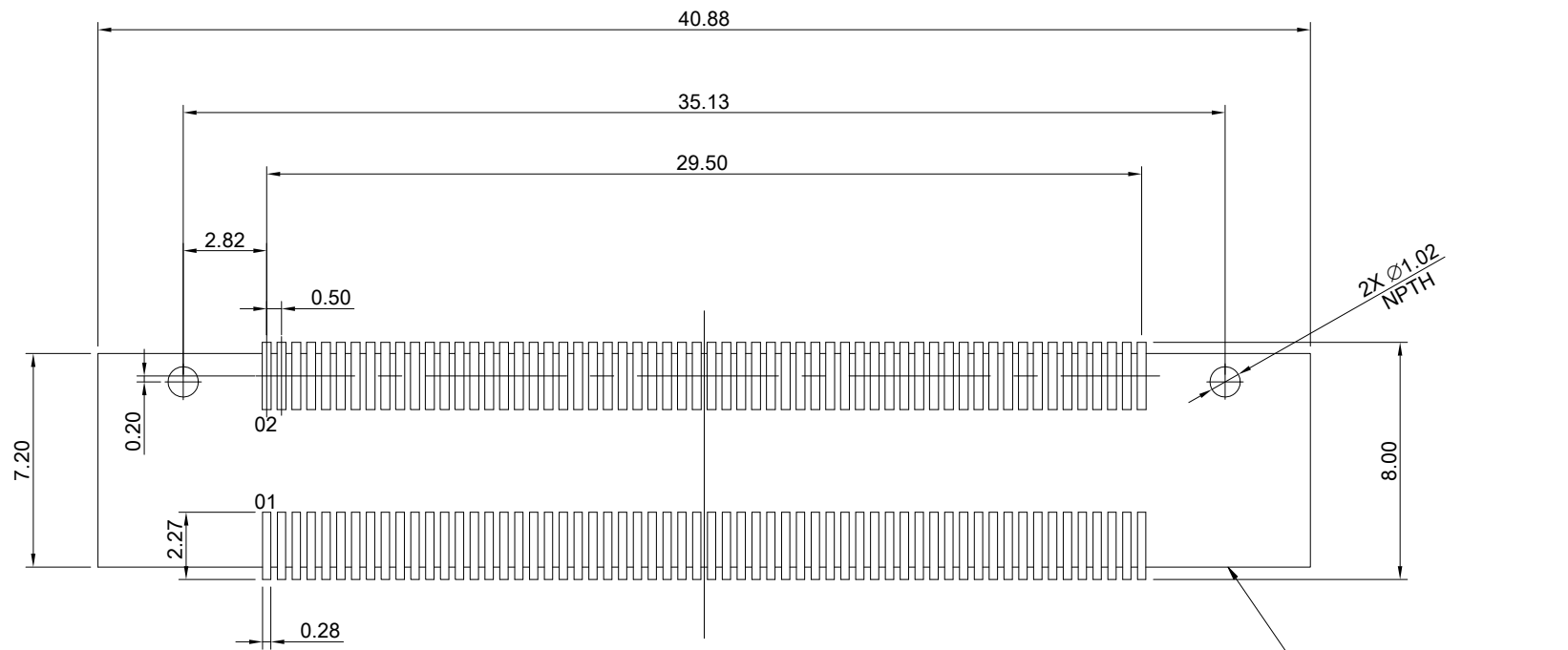
**FINISH**  
 CONTACTS: 5μ" MIN. GOLD ON MATING END;  
 100μ" MIN. MATTE TIN ON SOLDER FOOT AREA  
 ALL UNDERPLATED NICKEL

**ELECTRICAL CHARACTERISTICS**  
 CONTACT CURRENT RATING: 2 AMPERE  
 VOLTAGE RATING: 275 VAC  
 MAX CYCLES: 100

**ENVIRONMENT**  
 OPERATION TEMPERATURE: -55°C TO 125°C  
 SMT TEMPERATURE: 260°C



<b>TITLE:</b> 0.50mm 120Pin Double Row Socket Strip (Gen.2)			
<b>DWG#:</b> R-BF-05120-8AXX		<b>SHEET:</b> 1/2	<b>REV.:</b> A
<b>UNIT:</b> mm	<b>SCALE:</b> A4 2:1	<b>FINISH:</b>	<b>CHECKED:</b> Gary Kang
<b>THIRD ANGLE PROJECTION</b> <b>TOLERANCE:</b> Angle: ± 1° X ± 0.25 .X ± 0.20 .XX ± 0.15		<b>MATERIAL:</b> RoHS Compliant	<b>APPROVED:</b> George Yang
<b>DRAWN:</b> Tony			<b>DATE:</b> 01/18/2021



RECOMMENDED PCB LAYOUT  
TOLERANCE:  $\pm 0.05$

CONNECTOR OUTLINE



TITLE: 0.50mm Double Row Socket Strip (Gen.2)

DWG#: R-BF-05120-8AXX

SHEET: 2/2  
REV. A

UNIT: mm  
SCALE: A4 2:1

FINISH:

CHECKED:

*Gary Kang*

THIRD ANGLE PROJECTION

MATERIAL: RoHS Compliant

APPROVED:

*George Yang*

TOLERANCE: Angle:  $\pm 1^\circ$   
X:  $\pm 0.15$  .X:  $\pm 0.10$  .XX:  $\pm 0.05$

DRAWN: Sheng

DATE: 01/18/2021