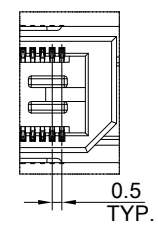
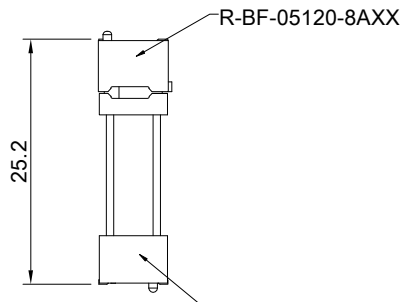
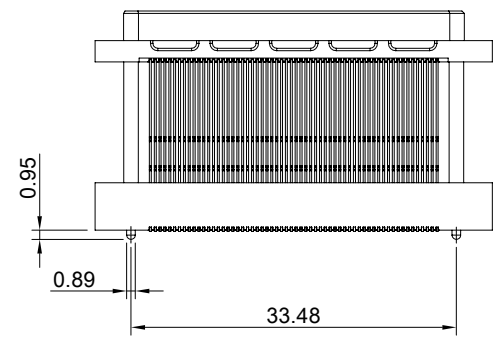
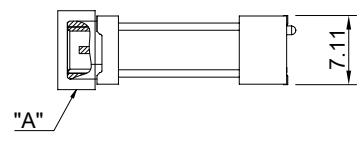
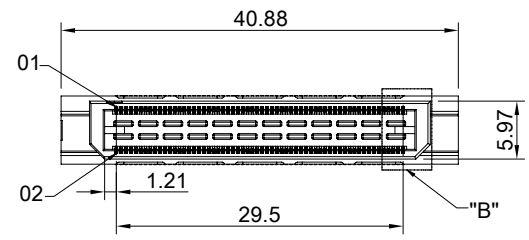
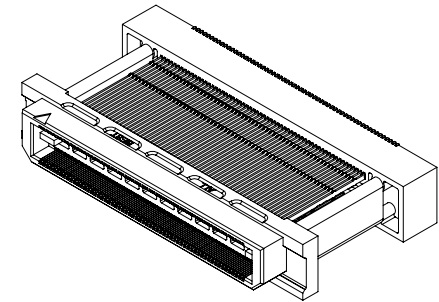


DETAIL A  
SCALE 2:1



DETAIL B  
SCALE 2:1



The combined height of the male and female connectors after mating.

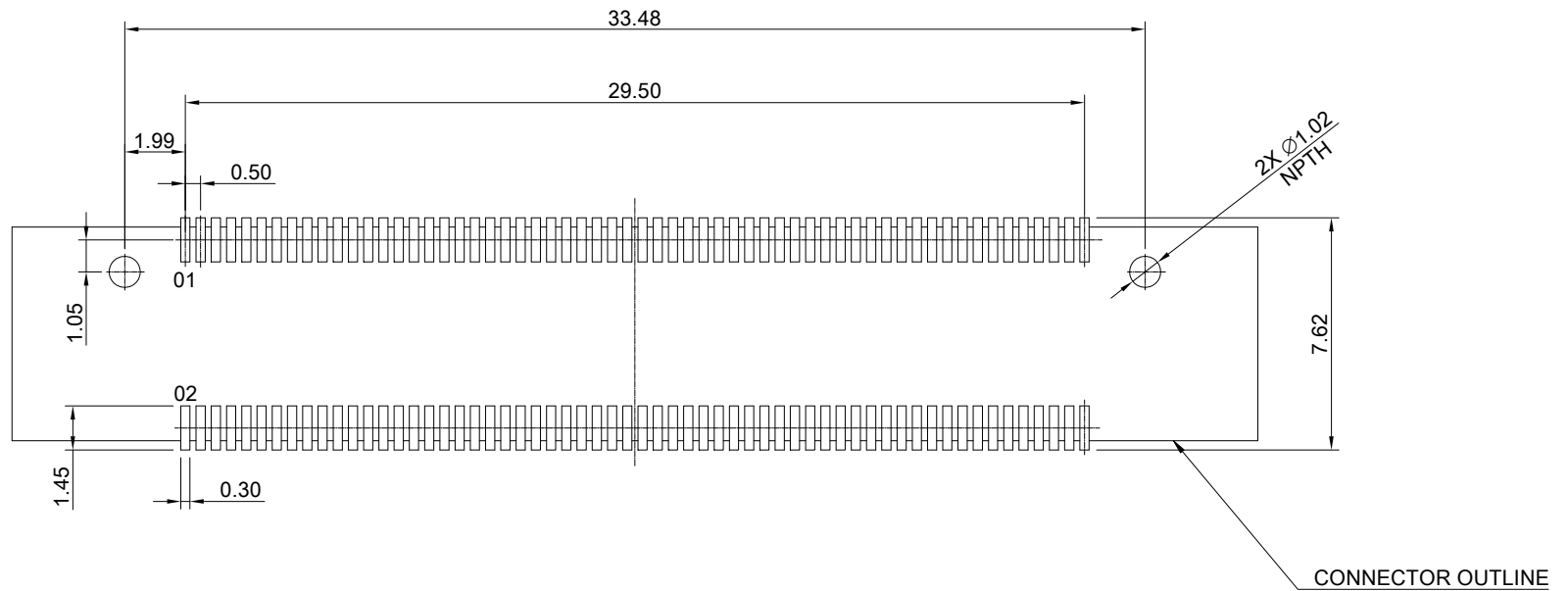
MATERIAL  
CONTACTS: COPPER ALLOY  
INSULATOR: LCP THERMOPLASTIC 94V-0

FINISH  
CONTACTS: 5μ" MIN. GOLD ON MATING END;  
100μ" MIN. MATTE TIN ON SOLDER FOOT AREA  
ALL UNDERPLATED NICKEL


ELECTRICAL CHARACTERISTICS  
CONTACT CURRENT RATING: 2 AMPERE  
VOLTAGE RATING: 275 VAC  
MAX CYCLES: 100

ENVIRONMENT  
OPERATION TEMPERATURE: -55°C TO 125°C  
SMT TEMPERATURE: 260°C

<p><b>ALL BEST</b> ELECTRONICS CO., LTD.</p>	TITLE: 0.50mm 120Pin Double Row Terminal Assembly H:25.2mm (Gen.2)			SHEET: 1/2		REV. A
	DWG#: R-BM-05120-8AX2			CHECKED: Gary Kang		APPROVED: George Yang
	UNIT: mm	SCALE: A4 2:1	FINISH:	MATERIAL: RoHS Compliant		DATE: 01/29/2021
	TOLERANCE: Angle: ± 1° X: ± 0.25 .X: ± 0.20 .XX: ± 0.15		THIRD ANGLE PROJECTION	DRAWN: Tony		



RECOMMENDED PCB LAYOUT  
TOLERANCE: ±0.05

 <b>ALL BEST</b> ALL BEST ELECTRONICS CO., LTD.	TITLE: 0.50mm 120Pin Double Row Terminal Assembly H:25.2mm (Gen.2)			SHEET: 2/2		REV. A
	DWG#: R-BM-05120-8AX2			CHECKED: Gary Kang		APPROVED: George Yang
	UNIT: mm	SCALE: A4 4:1	FINISH:	MATERIAL: RoHS Compliant		DRAWN: Tony
	TOLERANCE: X:± 0.15 .X± 0.10 .XX± 0.05		THIRD ANGLE PROJECTION	DATE: 01/29/2021		