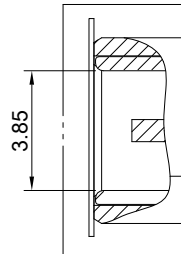
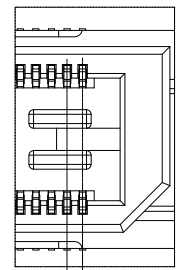


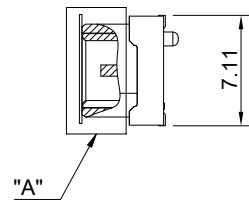
The combined height of the male and female connectors after mating.



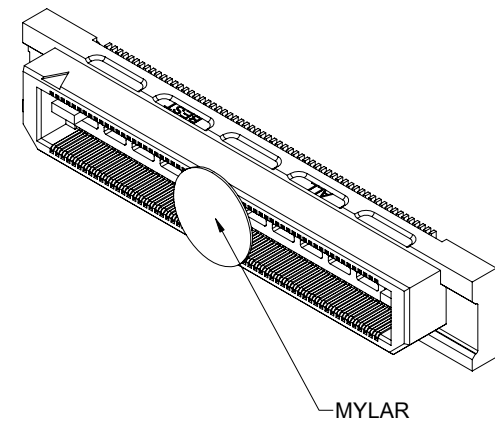
DETAIL A  
SCALE 2:1



DETAIL B  
SCALE 2:1



"A"



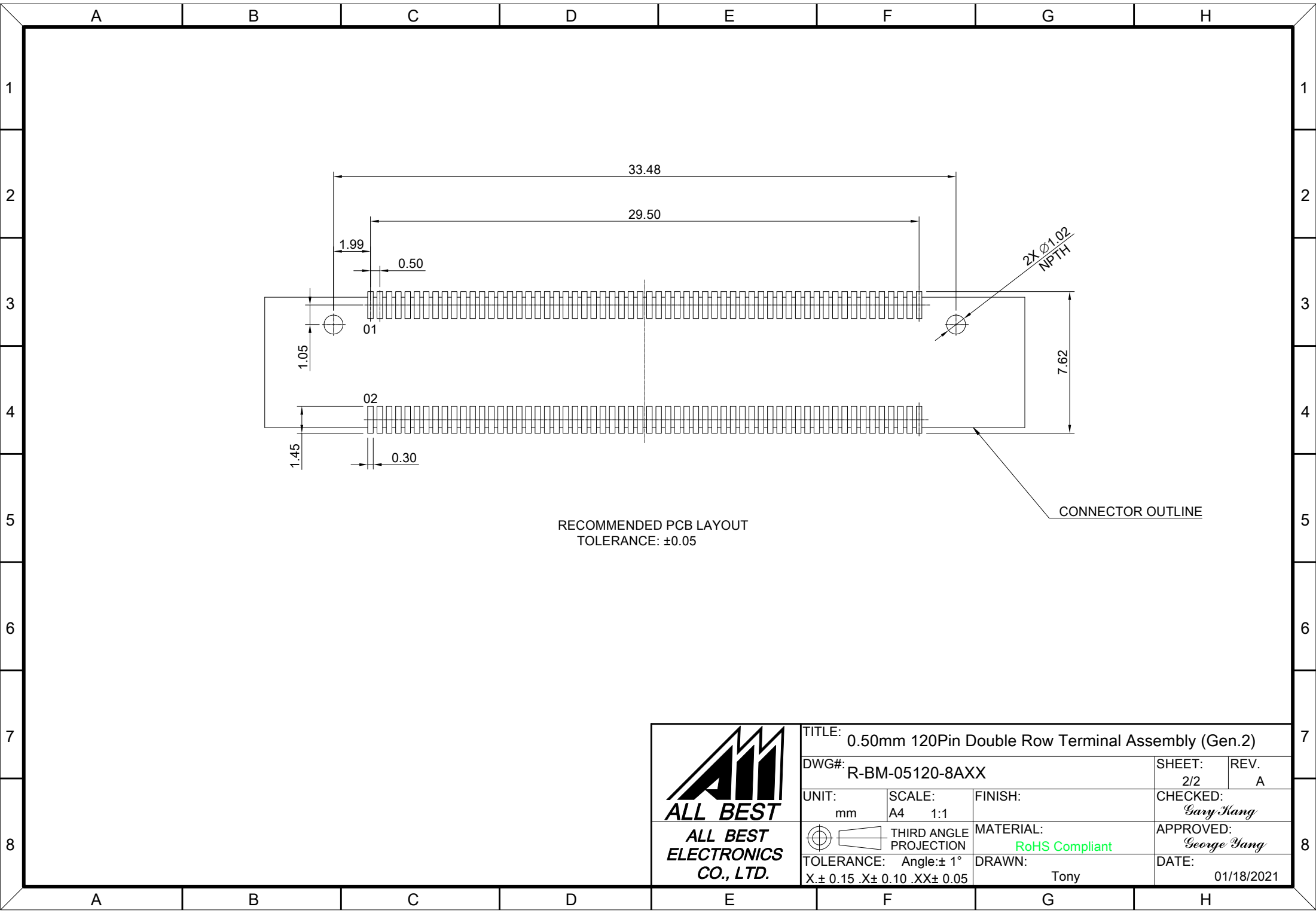
MATERIAL  
CONTACTS: COPPER ALLOY  
INSULATOR: LCP THERMOPLASTIC 94V-0

FINISH  
CONTACTS: 5µ" MIN. GOLD ON MATING END;  
100µ" MIN. MATTE TIN ON SOLDER FOOT AREA  
ALL UNDERPLATED NICKEL

ELECTRICAL CHARACTERISTICS  
CONTACT CURRENT RATING: 2 AMPERE  
VOLTAGE RATING: 275 VAC  
MAX CYCLES: 100

ENVIRONMENT  
OPERATION TEMPERATURE: -55°C TO 125°C  
SMT TEMPERATURE: 260°C

<p><b>ALL BEST</b> ELECTRONICS CO., LTD.</p>	TITLE: 0.50mm 120Pin Double Row Terminal Assembly (Gen.2)		
	DWG#: R-BM-05120-8AXX		SHEET: 1/2
	UNIT: mm	SCALE: A4 1:1	REV: A
	THIRD ANGLE PROJECTION		CHECKED: Gary Kang
TOLERANCE: Angle: ± 1°		MATERIAL: RoHS Compliant	APPROVED: George Yang
X: ± 0.25 .X: ± 0.20 .XX: ± 0.15		DRAWN: Tony	DATE: 01/18/2021



RECOMMENDED PCB LAYOUT  
TOLERANCE: ±0.05

CONNECTOR OUTLINE



TITLE: 0.50mm 120Pin Double Row Terminal Assembly (Gen.2)			
DWG#: R-BM-05120-8AXX		SHEET: 2/2	REV. A
UNIT: mm	SCALE: A4 1:1	FINISH:	CHECKED: Gary Kang
THIRD ANGLE PROJECTION TOLERANCE: Angle: ± 1° X: ± 0.15 .X: ± 0.10 .XX: ± 0.05		MATERIAL: RoHS Compliant	APPROVED: George Yang
DRAWN: Tony		DATE: 01/18/2021	