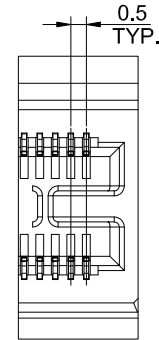
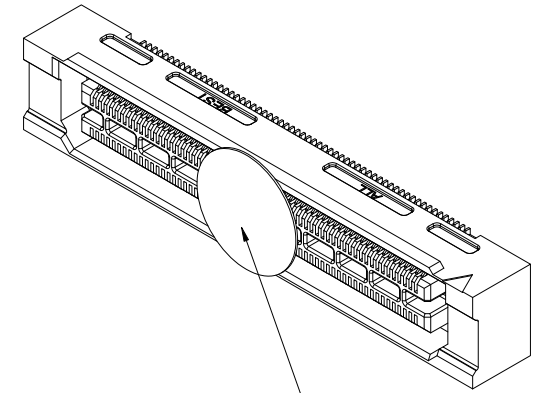


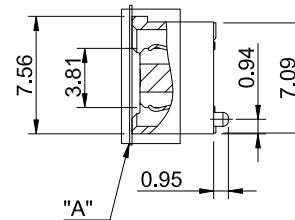
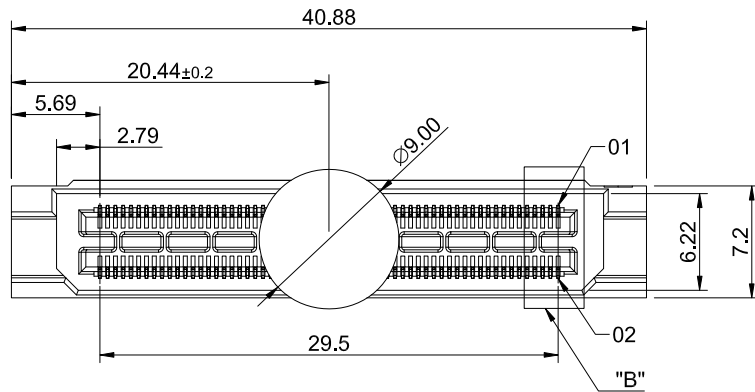
DETAIL A  
SCALE 2:1



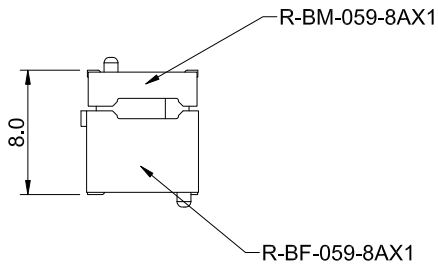
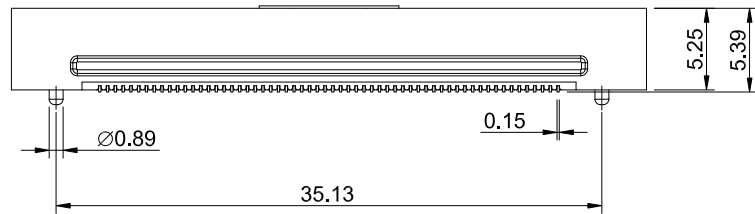
DETAIL B  
SCALE 2:1



MYLAR



"A"



The combined height of the male and female connectors after mating.

MATERIAL  
CONTACTS: COPPER ALLOY  
INSULATOR: LCP THERMOPLASTIC 94V-0

FINISH  
CONTACTS: 5µ" MIN. GOLD ON MATING END;  
100µ" MIN. MATTE TIN ON SOLDER FOOT AREA  
ALL UNDERPLATED NICKEL

ELECTRICAL CHARACTERISTICS  
CONTACT CURRENT RATING: 2 AMPERE  
VOLTAGE RATING: 275VAC  
MAX CYCLES: 100

ENVIRONMENT  
OPERATION TEMPERATURE: -55°C TO 125°C  
SMT TEMPERATURE: 260°C



TITLE: 0.50mm Double Row Socket Strip (Gen.3)

DWG#: R-BF-059-8AX1

UNIT: mm SCALE: A4 2:1

THIRD ANGLE PROJECTION

TOLERANCE: Angle: ± 1°  
X: ± 0.25 .X: ± 0.20 .XX: ± 0.15

FINISH: MATERIAL: RoHS Compliant

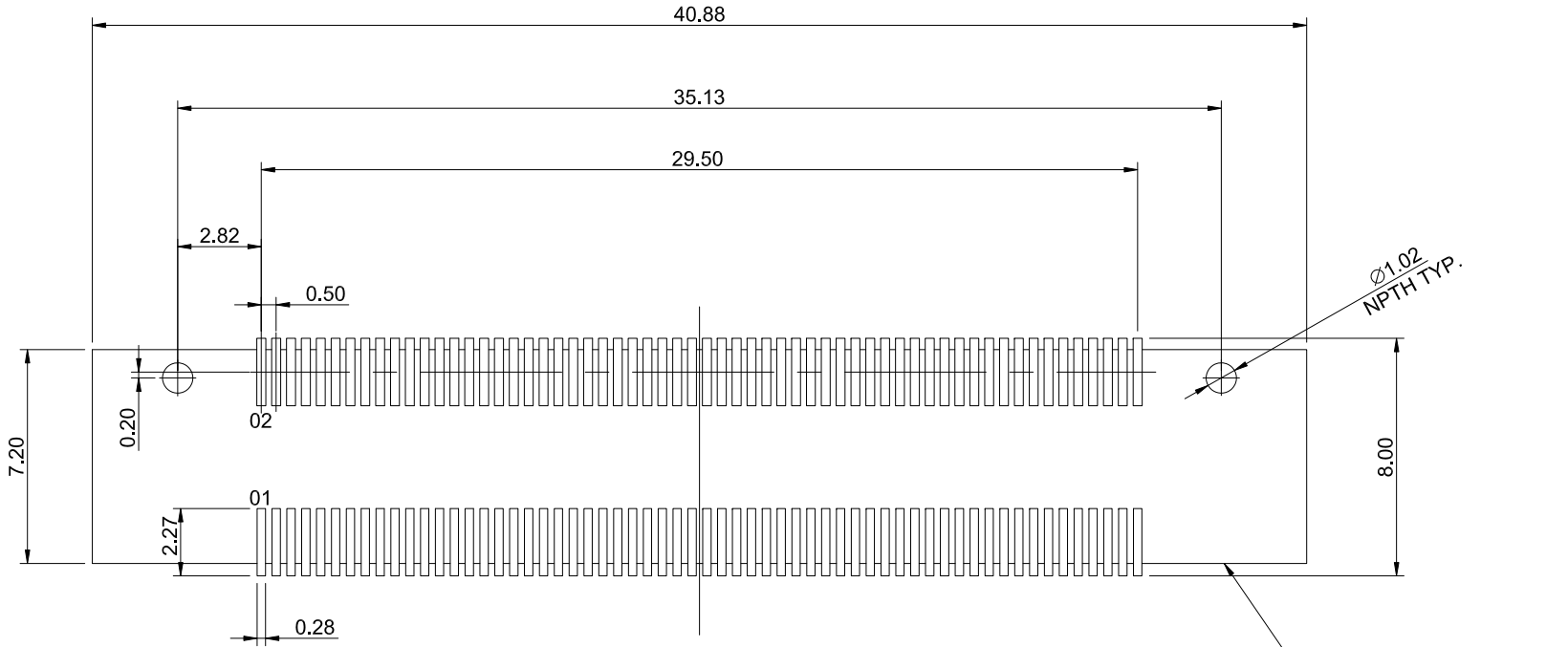
DRAWN: Sheng

SHEET: 1/2 REV. A

CHECKED: Gary Kang

APPROVED: George Yang

DATE: 08/28/2018



RECOMMENDED PCB LAYOUT  
TOLERANCE: ±0.05

CONNECROUR OUTLINE



ALL BEST  
ELECTRONICS  
CO., LTD.

TITLE: 0.50mm Double Row Socket Strip (Gen.3)

DWG#: R-BF-059-8AX1

UNIT:  
mm

SCALE:  
A4 2:1

FINISH:

SHEET: 2/2  
REV. A



THIRD ANGLE  
PROJECTION

MATERIAL:  
RoHS Compliant

CHECKED:  
*Gary Kang*

APPROVED:  
*George Yang*

TOLERANCE: Angle: ± 1°  
X: ± 0.15 .X: ± 0.10 .XX: ± 0.05

DRAWN:  
Sheng

DATE:  
08/28/2018