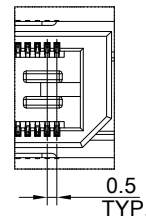
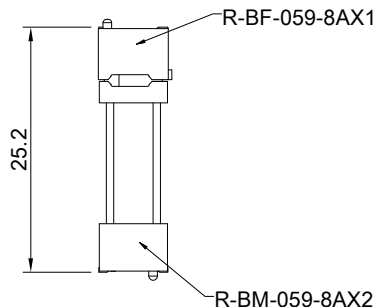
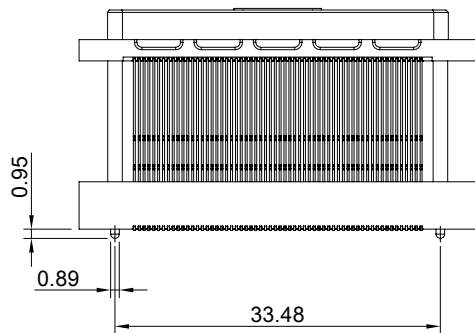
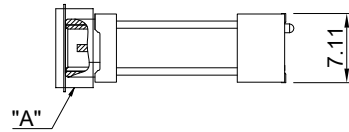
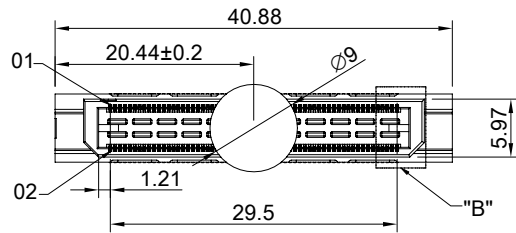
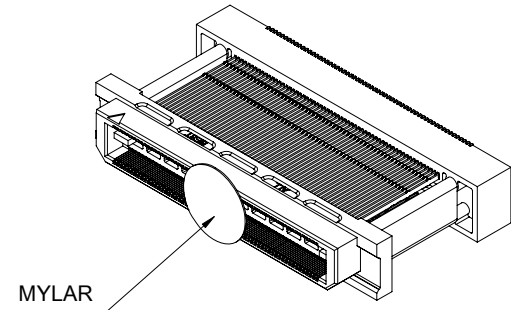


DETAIL A  
SCALE 2:1



DETAIL B  
SCALE 2:1



The combined height of the male and female connectors after mating.

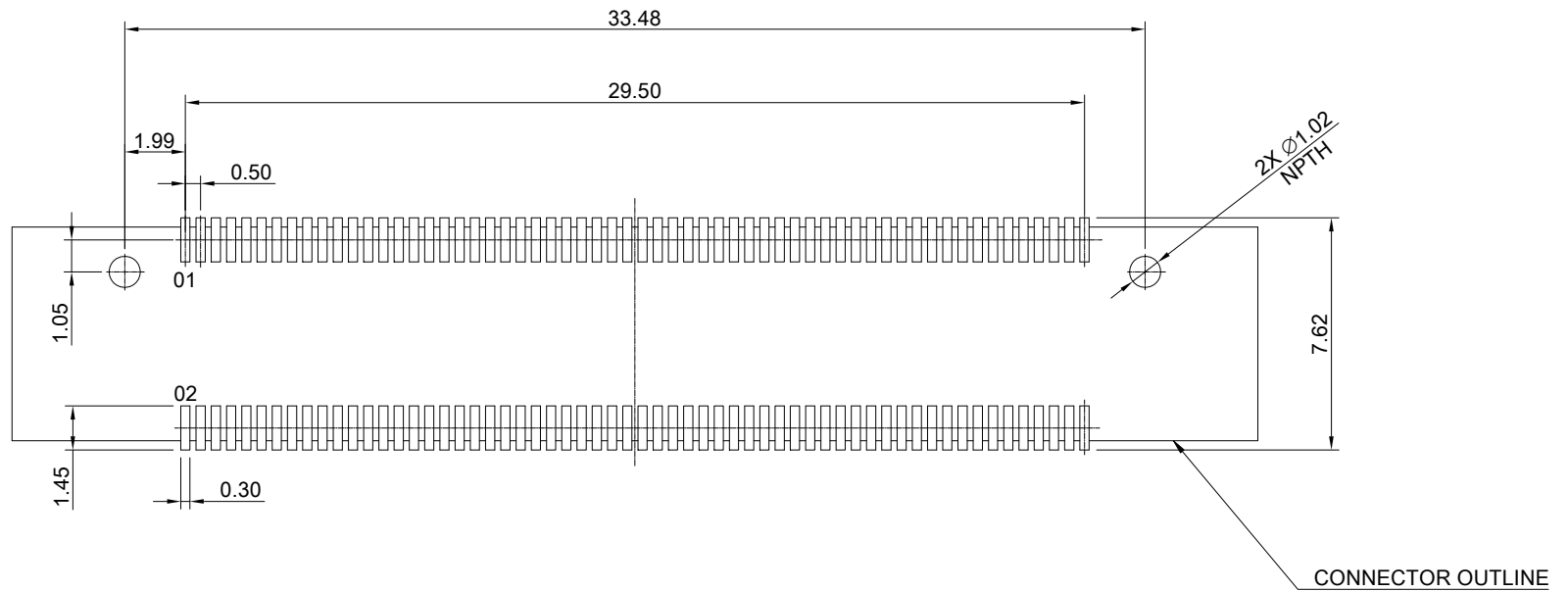
MATERIAL  
CONTACTS: COPPER ALLOY  
INSULATOR: LCP THERMOPLASTIC 94V-0

FINISH  
CONTACTS: 5μ" MIN. GOLD ON MATING END;  
100μ" MIN. MATTE TIN ON SOLDER FOOT AREA  
ALL UNDERPLATED NICKEL



ELECTRICAL CHARACTERISTICS  
CONTACT CURRENT RATING: 2 AMPERE  
VOLTAGE RATING: 275 VAC  
MAX CYCLES: 100

ENVIRONMENT  
OPERATION TEMPERATURE: -55°C TO 125°C  
SMT TEMPERATURE: 260°C

	TITLE: 0.50mm 120Pin Double Row Terminal Assembly H:25.2mm (Gen.2)			SHEET: 1/2		REV. B
	DWG#: R-BM-059-8AX2			CHECKED: Gary Kang		APPROVED: George Yang
	UNIT: mm	SCALE: A4 2:1	FINISH:	MATERIAL: RoHS Compliant		DATE: 04/18/2022
	TOLERANCE: Angle: ± 1° X: ± 0.25 .X: ± 0.20 .XX: ± 0.15		THIRD ANGLE PROJECTION	DRAWN: Tony		



RECOMMENDED PCB LAYOUT  
TOLERANCE:  $\pm 0.05$

 <b>ALL BEST</b> ALL BEST ELECTRONICS CO., LTD.	TITLE: 0.50mm 120Pin Double Row Terminal Assembly H:25.2mm (Gen.2)			SHEET: 2/2		REV. B
	DWG#: R-BM-059-8AX2			CHECKED: Gary Kang		
	UNIT: mm	SCALE: A4 4:1	FINISH:	APPROVED: George Yang		
	TOLERANCE: X: $\pm 0.15$ .X: $\pm 0.10$ .XX: $\pm 0.05$		MATERIAL: RoHS Compliant	DRAWN: Tony		DATE: 04/18/2022
 THIRD ANGLE PROJECTION						