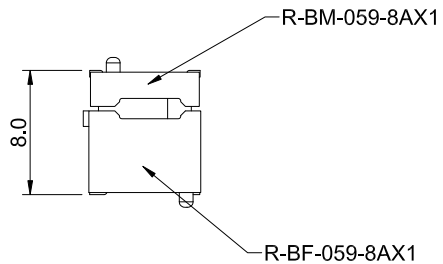
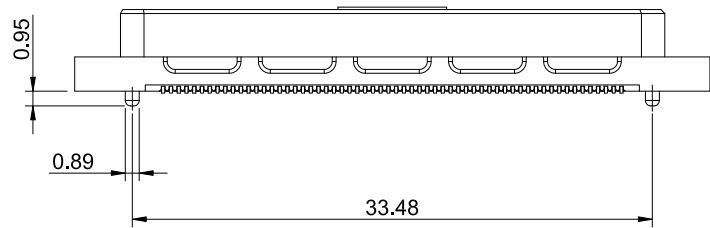
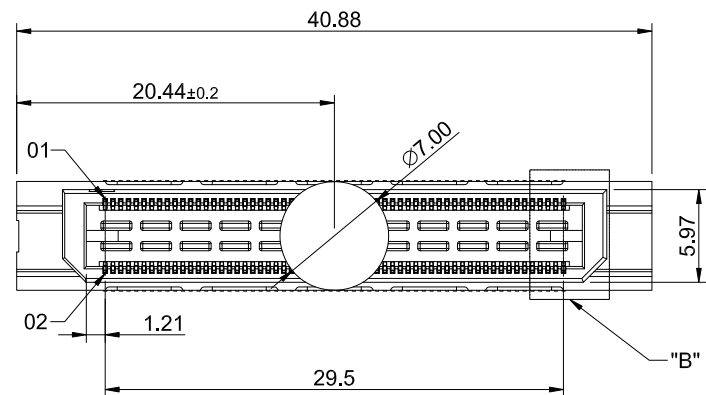
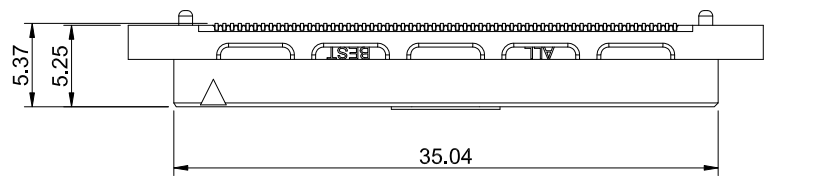
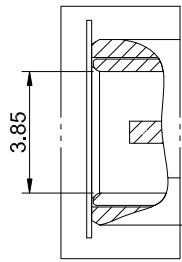


A B C D E F G H

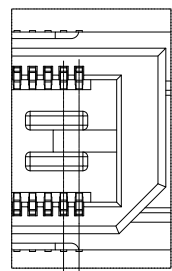
1
2
3
4
5
6
7
8



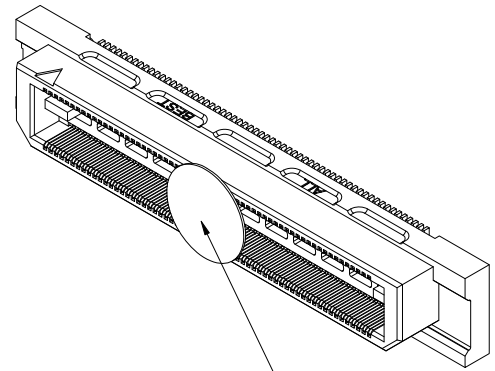
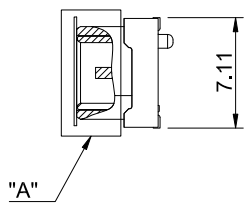
The combined height of the male and female connectors after mating.



DETAIL A
SCALE 2:1



DETAIL B
SCALE 2:1



MYLAR

MATERIAL
CONTACTS: COPPER ALLOY
INSULATOR: LCP THERMOPLASTIC 94V-0

FINISH
CONTACTS: 5μ" MIN. GOLD ON MATING END;
100μ" MIN. MATTE TIN ON SOLDER FOOT AREA
ALL UNDERPLATED NICKEL

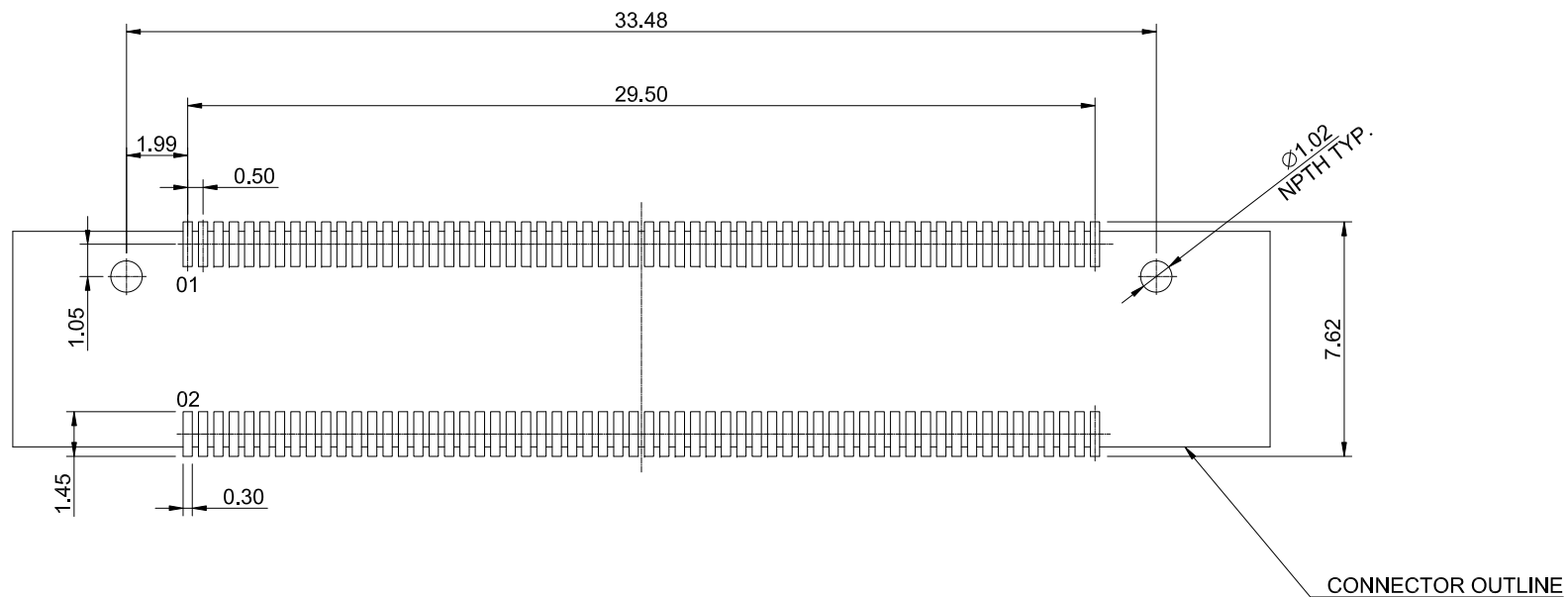
ELECTRICAL CHARACTERISTICS
CONTACT CURRENT RATING: 2 AMPERE
VOLTAGE RATING: 275VAC
MAX CYCLES: 100

ENVIRONMENT
OPERATION TEMPERATURE: -55°C TO 125°C
SMT TEMPERATURE: 260°C


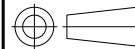


TITLE: 0.50mm Double Row Socket Strip (Gen.3)			
DWG#: R-BM-059-8AX1		SHEET: 1/2	REV. A
UNIT: mm	SCALE: A4 2:1	CHECKED: Gary Kang	
THIRD ANGLE PROJECTION		APPROVED: George Yang	
TOLERANCE: Angle: ± 1° X: ± 0.25 .X ± 0.20 .XX ± 0.15		MATERIAL: RoHS Compliant	DATE: 08/27/2018
		DRAWN: Sheng	

A B C D E F G H



RECOMMENDED PCB LAYOUT
TOLERANCE: ± 0.05

 ALL BEST ALL BEST ELECTRONICS CO., LTD.	TITLE: 0.50mm Double Row Socket Strip (Gen.3)		SHEET: 2/2	REV. A
	DWG#: R-BM-059-8AX1		CHECKED: Gary Kang	
	UNIT: mm	SCALE: A4 4:1	FINISH:	APPROVED: George Yang
	 THIRD ANGLE PROJECTION TOLERANCE: Angle: $\pm 1^\circ$ X: ± 0.15 .X: ± 0.10 .XX: ± 0.05		MATERIAL: RoHS Compliant	DATE: 08/27/2018
		DRAWN: Sheng		