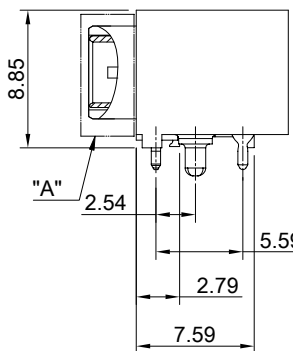
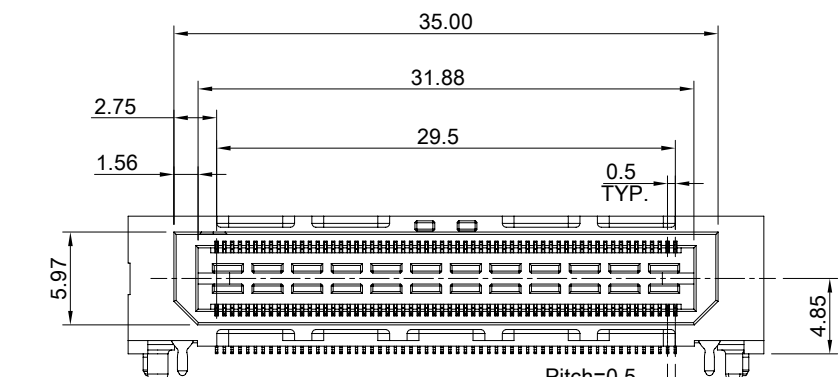
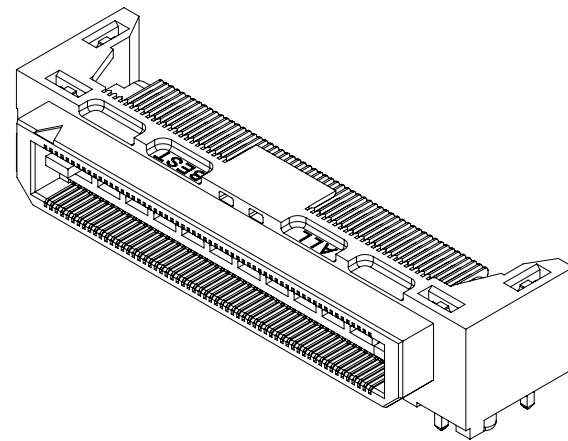


DETAIL A  
SCALE 2:1

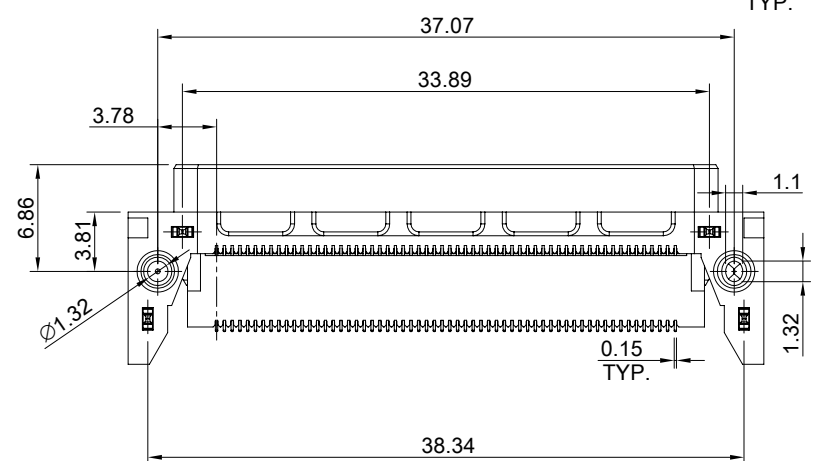


**MATERIAL**  
 CONTACTS: COPPER ALLOY  
 INSULATOR: LCP THERMOPLASTIC 94V-0

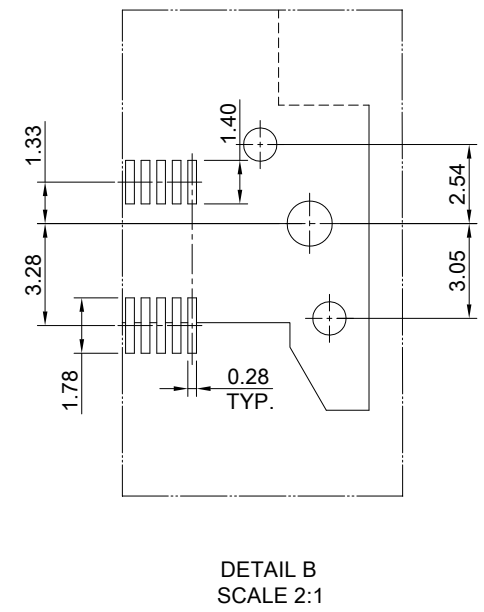
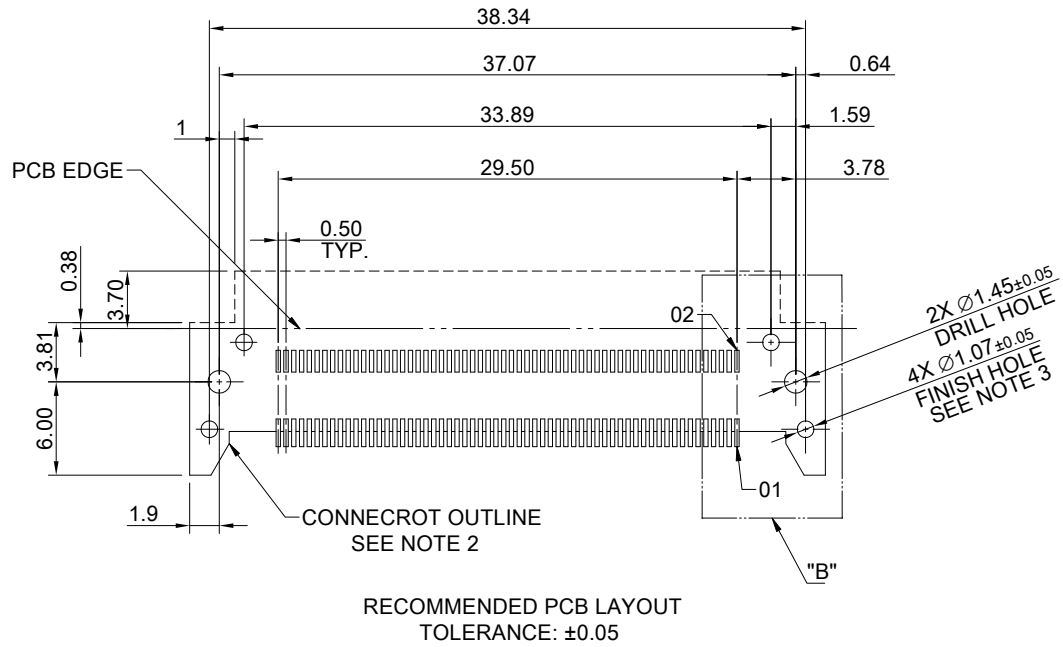
**FINISH**  
 CONTACTS: 5μ" MIN. GOLD ON MATING END;  
 100μ" MIN. MATTE TIN ON SOLDER FOOT AREA  
 ALL UNDERPLATED NICKEL

**ELECTRICAL CHARACTERISTICS**  
 CONTACT CURRENT RATING: 2 AMPERE  
 VOLTAGE RATING: 275VAC  
 MAX CYCLES: 100

**ENVIRONMENT**  
 OPERATION TEMPERATURE: -55°C TO 125°C  
 SMT TEMPERATURE: 260°C



 <b>ALL BEST</b> <b>ELECTRONICS</b> <b>CO., LTD.</b>	<b>TITLE:</b> 0.50mm 120Pin Double Row Right Angle Terminal Assembly (Gen.4)			<b>SHEET:</b> 1/2		<b>REV.:</b> A	
	<b>DWG#:</b> R-BM-05120-9AX1			<b>CHECKED:</b> Gary Kang		<b>APPROVED:</b> George Yang	
	<b>UNIT:</b> mm	<b>SCALE:</b> A4 2:1	<b>FINISH:</b>	<b>MATERIAL:</b> RoHS Compliant		<b>DATE:</b> 01/29/2021	
	<b>TOLERANCE:</b> Angle: ± 1° X: ± 0.25 .X: ± 0.20 .XX: ± 0.15		<b>DRAWN:</b> Tony				



- NOTE :
1. ALL DIMENSIONS ARE SYMMETRIC ABOUT THE CENTERLINE.
  2. CONNECTOR OUTLINE. OTHER COMPONENTS PLACED ON PCB, SHALL AVOID THIS AREA.
  3. TO BE SOLDERED USING PASTE IN HOLE TECHNOLOGY.
  4. NOT RECOMMENDED FOR INVERTED REFLOW SOLDER.

<p><b>ALL BEST</b> ELECTRONICS CO., LTD.</p>	TITLE: 0.50mm 120Pin Double Row Right Angle Terminal Assembly (Gen.4)			SHEET: 2/2		REV. A
	DWG#: R-BM-05120-9AX1			CHECKED: Gary Kang		
	UNIT: mm	SCALE: A4 2:1	FINISH:	APPROVED: George Yang		
	TOLERANCE: Angle: ± 1° X.± 0.15 .X± 0.1 .XX± 0.05		MATERIAL: RoHS Compliant	DRAWN: Tony		DATE: 01/29/2021