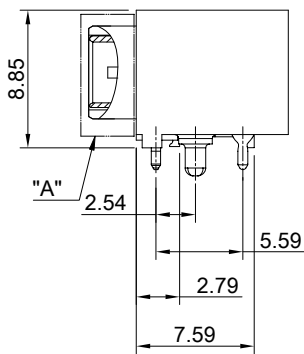
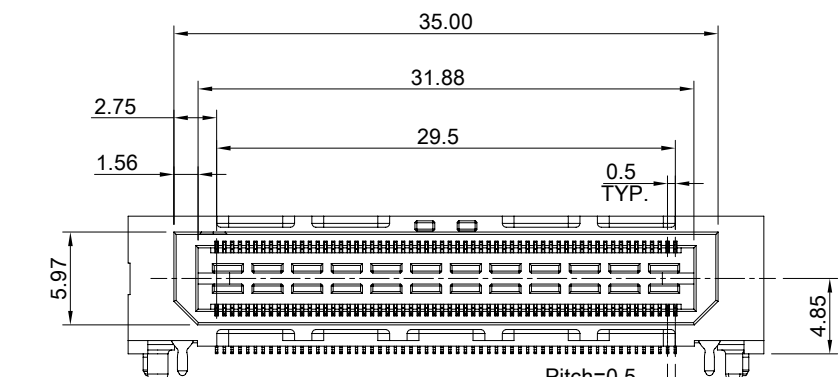
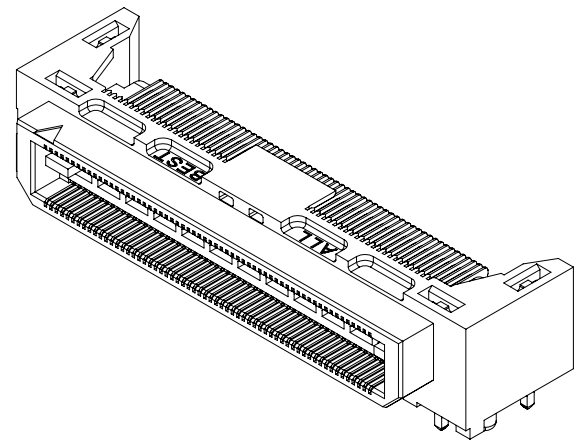


DETAIL A
SCALE 2:1

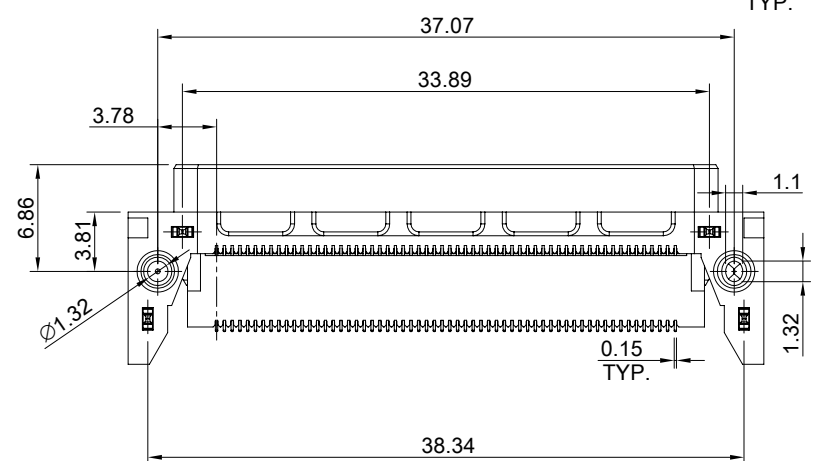


MATERIAL
 CONTACTS: COPPER ALLOY
 INSULATOR: LCP THERMOPLASTIC 94V-0

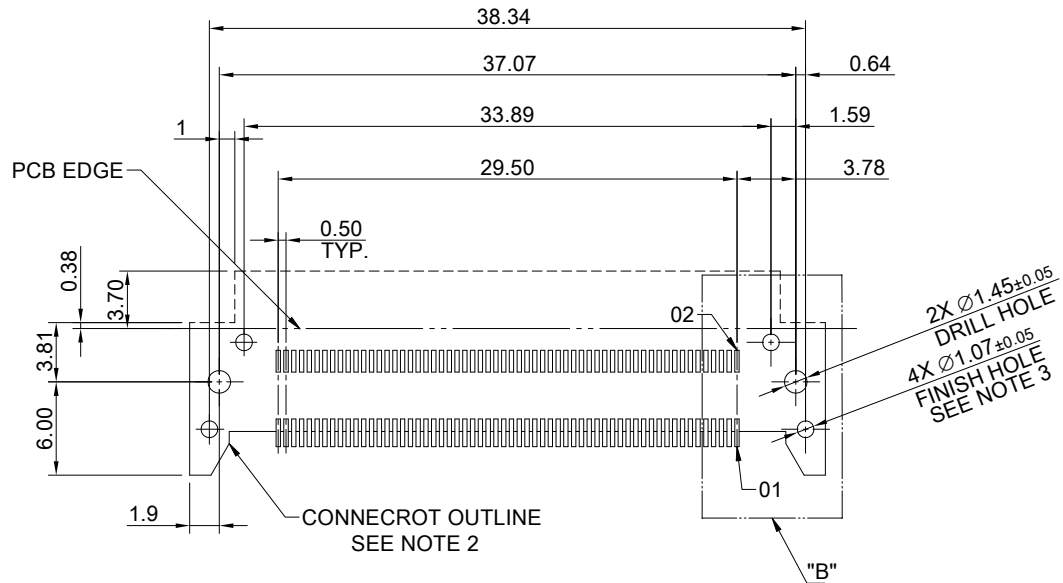
FINISH
 CONTACTS: 5μ" MIN. GOLD ON MATING END;
 100μ" MIN. MATTE TIN ON SOLDER FOOT AREA
 ALL UNDERPLATED NICKEL

ELECTRICAL CHARACTERISTICS
 CONTACT CURRENT RATING: 2 AMPERE
 VOLTAGE RATING: 275VAC
 MAX CYCLES: 100

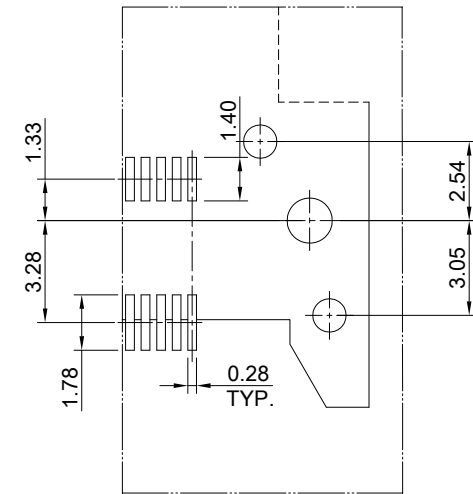
ENVIRONMENT
 OPERATION TEMPERATURE: -55°C TO 125°C
 SMT TEMPERATURE: 260°C



 ALL BEST ELECTRONICS CO., LTD.	TITLE: 0.50mm 120Pin Double Row Right Angle Terminal Assembly (Gen.4)			SHEET: 1/2		REV.: A	
	DWG#: R-BM-05120-9AX1			CHECKED: Gary Kang		APPROVED: George Yang	
	UNIT: mm	SCALE: A4 2:1	FINISH:	MATERIAL: RoHS Compliant		DATE: 01/29/2021	
	TOLERANCE: Angle: ± 1° X ± 0.25 .X ± 0.20 .XX ± 0.15		DRAWN: Tony				




RECOMMENDED PCB LAYOUT
TOLERANCE: ±0.05



DETAIL B
SCALE 2:1

- NOTE :
1. ALL DIMENSIONS ARE SYMMETRIC ABOUT THE CENTERLINE.
 2. CONNECTOR OUTLINE. OTHER COMPONENTS PLACED ON PCB, SHALL AVOID THIS AREA.
 3. TO BE SOLDERED USING PASTE IN HOLE TECHNOLOGY.
 4. NOT RECOMMENDED FOR INVERTED REFLOW SOLDER.

 ALL BEST ELECTRONICS CO., LTD.	TITLE: 0.50mm 120Pin Double Row Right Angle Terminal Assembly (Gen.4)			SHEET: 2/2		REV. A
	DWG#: R-BM-05120-9AX1			CHECKED: Gary Kang		
	UNIT: mm	SCALE: A4 2:1	FINISH:	APPROVED: George Yang		
	TOLERANCE: X.± 0.15 .X± 0.1 .XX± 0.05		THIRD ANGLE PROJECTION	MATERIAL: RoHS Compliant	DATE: 01/29/2021	
			DRAWN: Tony			