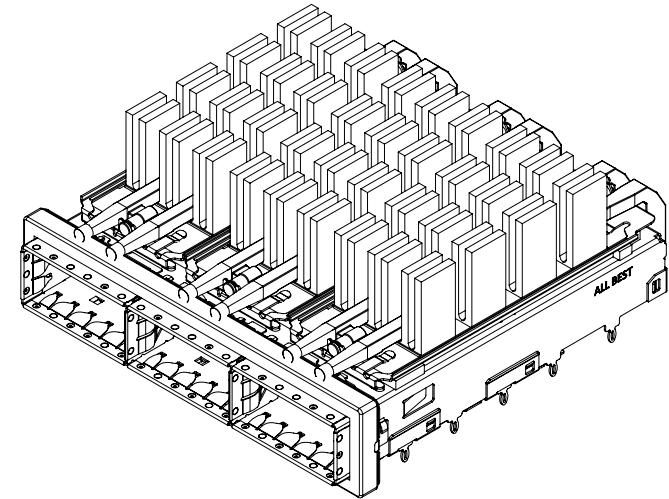


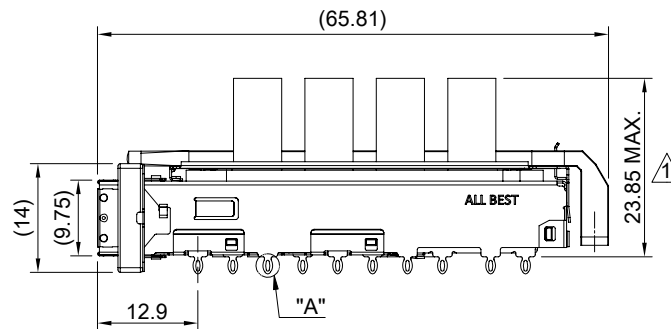
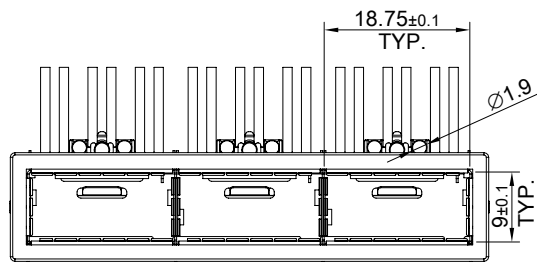
DETAIL A
SCALE 4:1



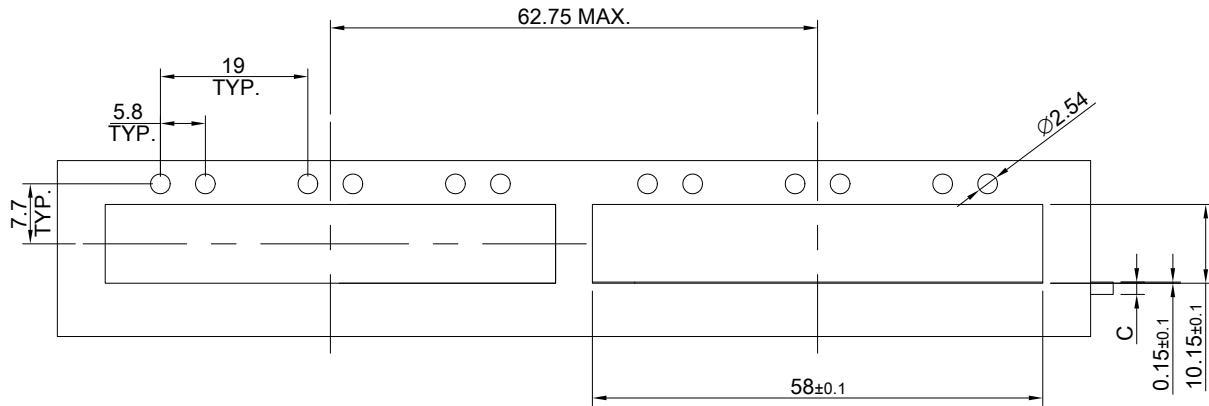
MATERIAL
 CAGE: NICKEL SILVER
 EMI SPRING: STAINLESS STEEL
 EMI GASKET FLANGE: STAINLESS STEEL
 EMI GASKET: CONDUCTIVE ELASTOMER
 HEAT SINK: ALUMINUM
 HEAT SINK CLIP: STAINLESS STEEL
 LIGHT PIPE: PC

FINISH
 HEAT SINK: ANODE PROCESS

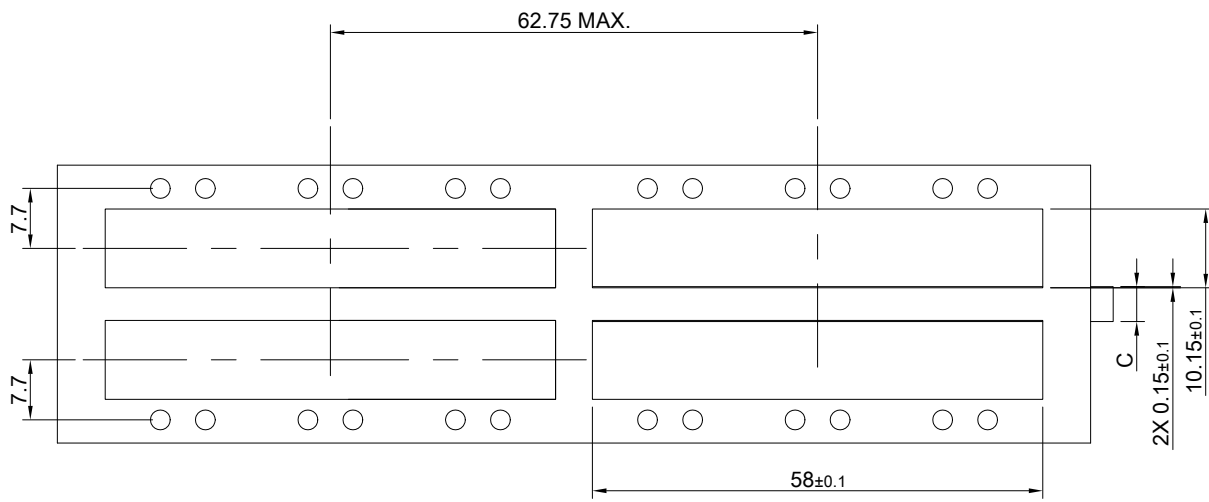
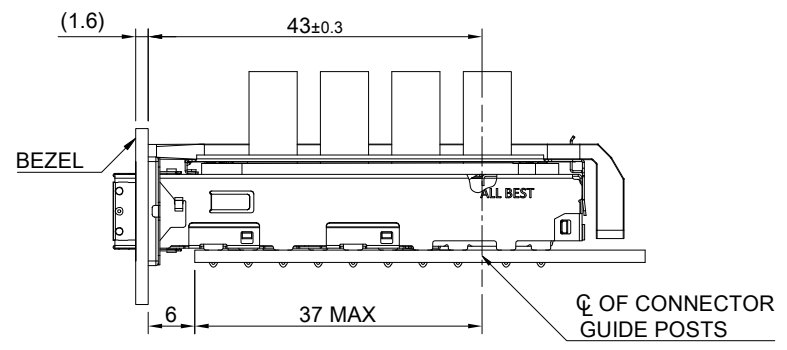
NOTE
 ▲ DIMENSION APPLIES WITH MODULE INSERTED IN CAGE



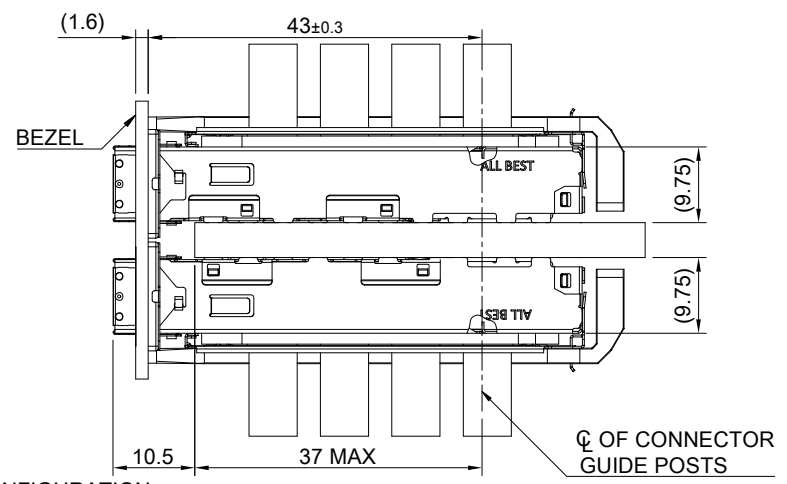
	TITLE: QSFP28 1X3 Cage Assembly w/ Light Pipe & Heat Sink(NET)		SHEET: 1/4		REV. B
	DWG#: R-OR-ZQ3-4CGED-MK		CHECKED: Gary Kang		APPROVED: George Yang
	UNIT: mm	SCALE: A4 1:1	FINISH:	DATE: 04/28/2020	
	TOLERANCE: X.± 0.25 .X± 0.20 .XX± 0.15		MATERIAL: RoHS Compliant	DRAWN: Calvin	
THIRD ANGLE PROJECTION		Angle: ± 1°			



ONE SIDED CONFIGURATION



BELLY TO BELLY CONFIGURATION



C = THICKNESS OF PC BOARD
 SINGLE SIDED= 1.6MM(MIN)
 DOUBLE SIDE= 4.5MM(MIN)



TITLE: QSFP28 1X3 Cage Assembly w/ Light Pipe & Heat Sink(NET)			
DWG#: R-OR-ZQ3-4CGED-MK		SHEET: 2/4	REV. B
UNIT: mm	SCALE: A4 1:1	CHECKED: Gary Kang	
THIRD ANGLE PROJECTION		APPROVED: George Yang	
TOLERANCE: Angle: ± 1°		DRAWN: Calvin	DATE: 04/28/2020
X.± 0.15 .X± 0.10 .XX± 0.05			

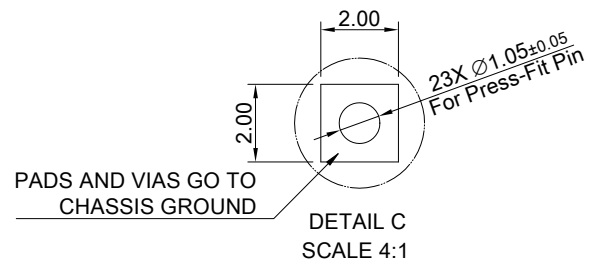
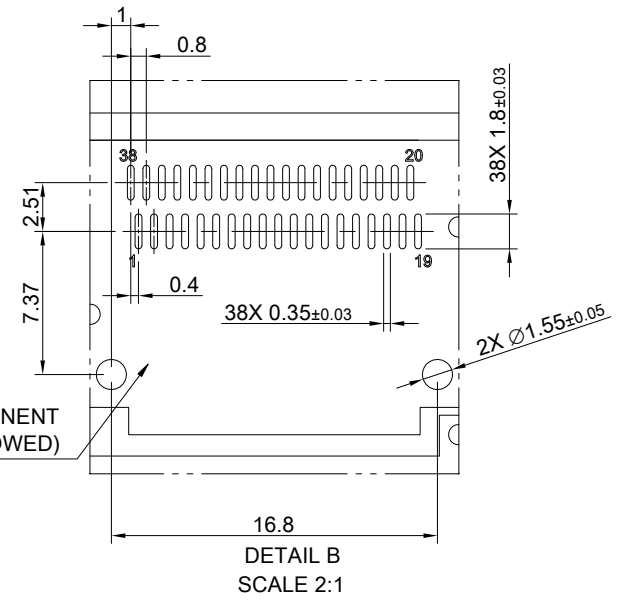
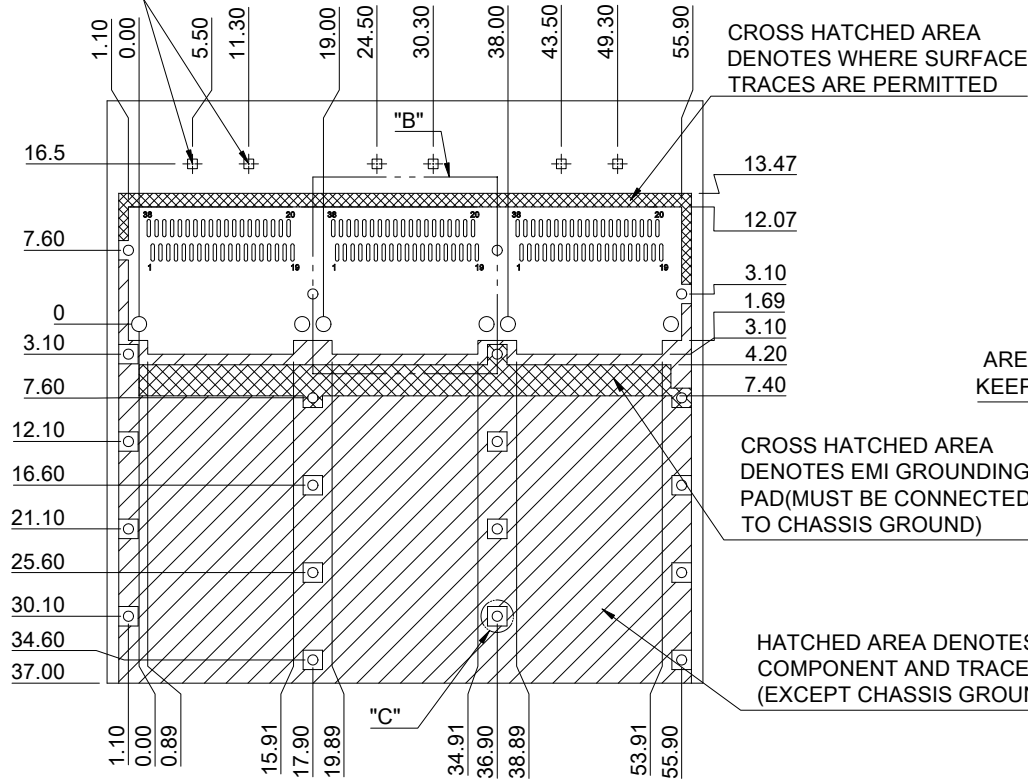
1
2
3
4
5
6
7
8

1
2
3
4
5
6
7
8

A B C D E F G H

A B C D E F G H

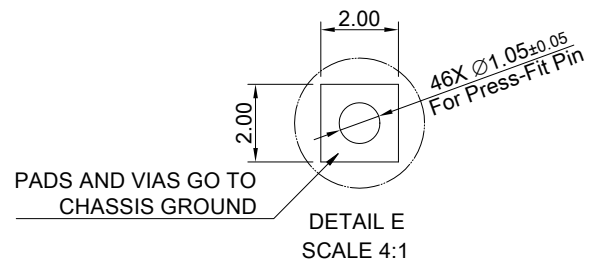
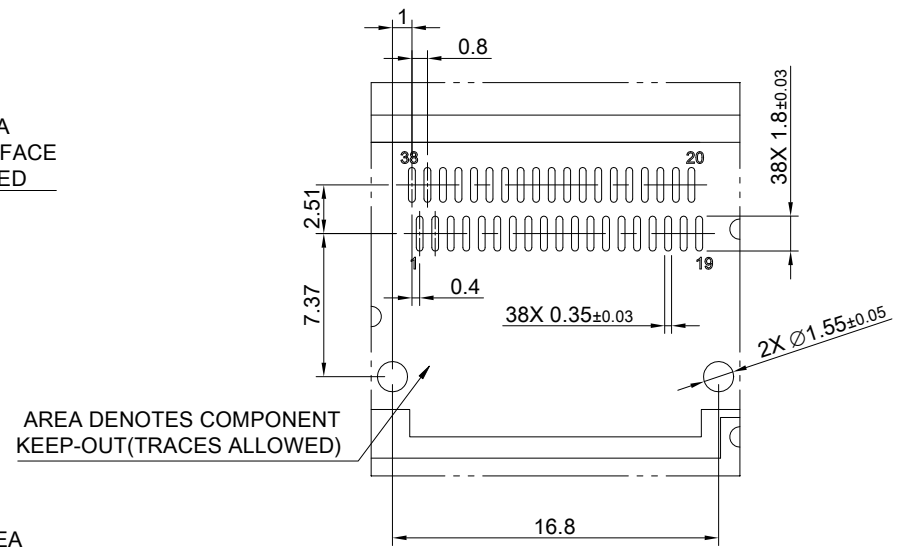
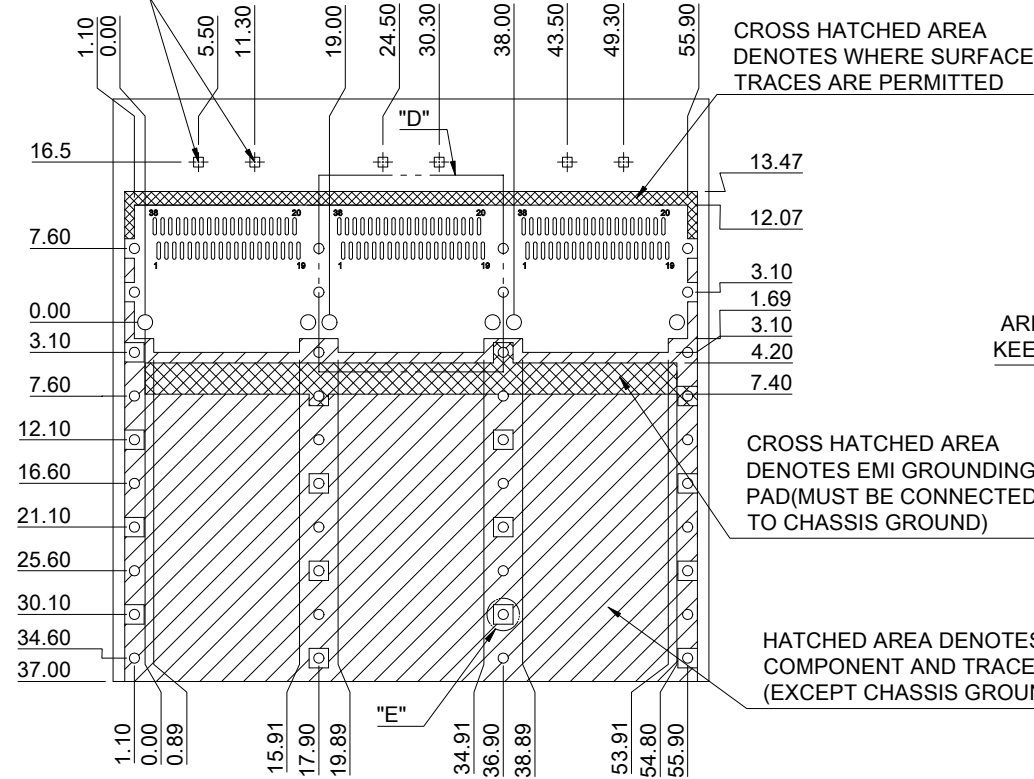
DUAL LIGHT PIPE LED LAYOUT



SINGLE SIDE PCB LAYOUT
TOLERANCE: ± 0.05
MINIMUM PCB THICKNESS OF 1.6 MM

 ALL BEST ALL BEST ELECTRONICS CO., LTD.	TITLE: QSFP28 1X3 Cage Assembly w/ Light Pipe & Heat Sink (NET)		SHEET: 3/4	REV. B
	DWG#: R-OR-ZQ3-4CGED-MK		CHECKED: Gary Kang	
	UNIT: mm	SCALE: A4 5:4	FINISH:	APPROVED: George Yang
	TOLERANCE: Angle: $\pm 1^\circ$ X: ± 0.15 .X: ± 0.10 .XX: ± 0.05		MATERIAL: RoHS Compliant	DRAWN: Calvin

DUAL LIGHT PIPE LED LAYOUT



SINGLE SIDE PCB LAYOUT
TOLERANCE: ±0.05
MINIMUM PCB THICKNESS OF 4.5 MM

<p>ALL BEST ALL BEST ELECTRONICS CO., LTD.</p>	TITLE: QSFP28 1X3 Cage Assembly w/ Light Pipe & Heat Sink(NET)		SHEET: 4/4		REV. B
	DWG#: R-OR-ZQ3-4CGED-MK		CHECKED: Gary Kang		APPROVED: George Yang
	UNIT: mm	SCALE: A4 5:4	FINISH:	MATERIAL: RoHS Compliant	
	TOLERANCE: Angle: ±1° X ± 0.15 .X ± 0.10 .XX ± 0.05		DRAWN: Calvin	DATE: 04/28/2020	