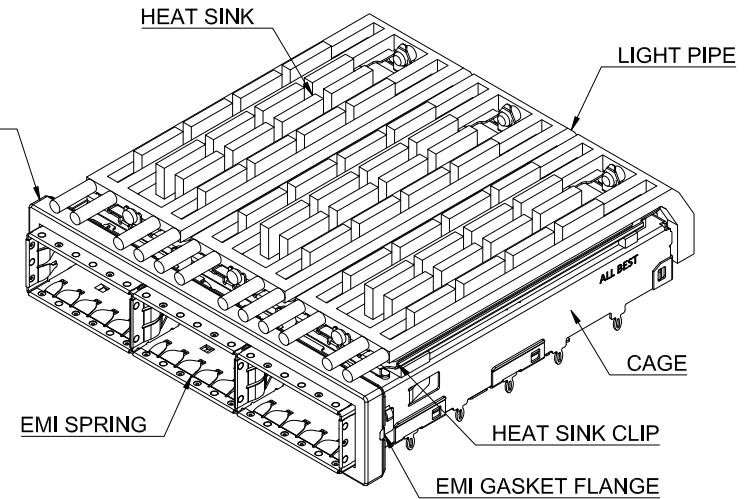


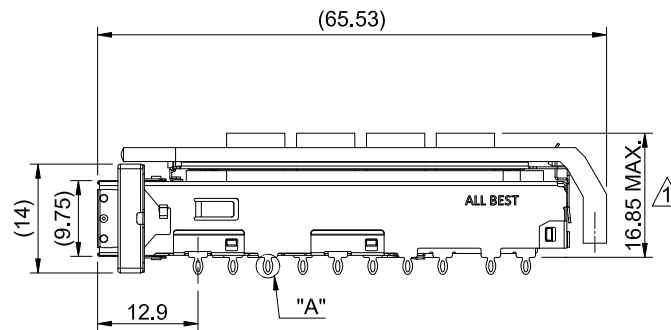
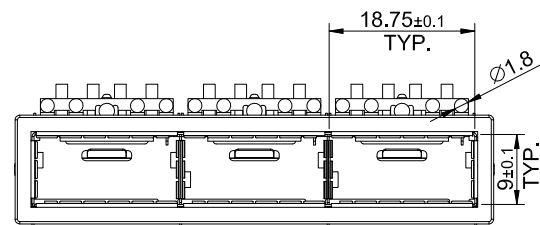
DETAIL A
SCALE 4:1



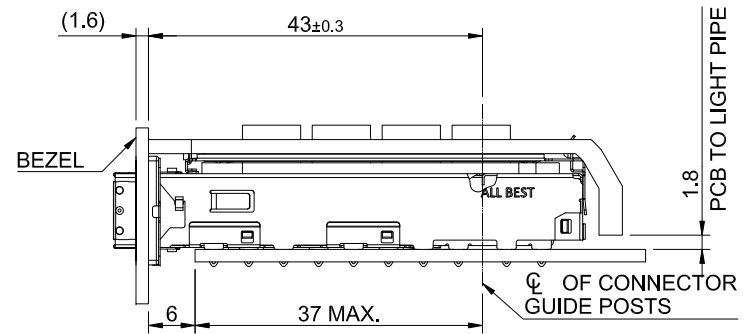
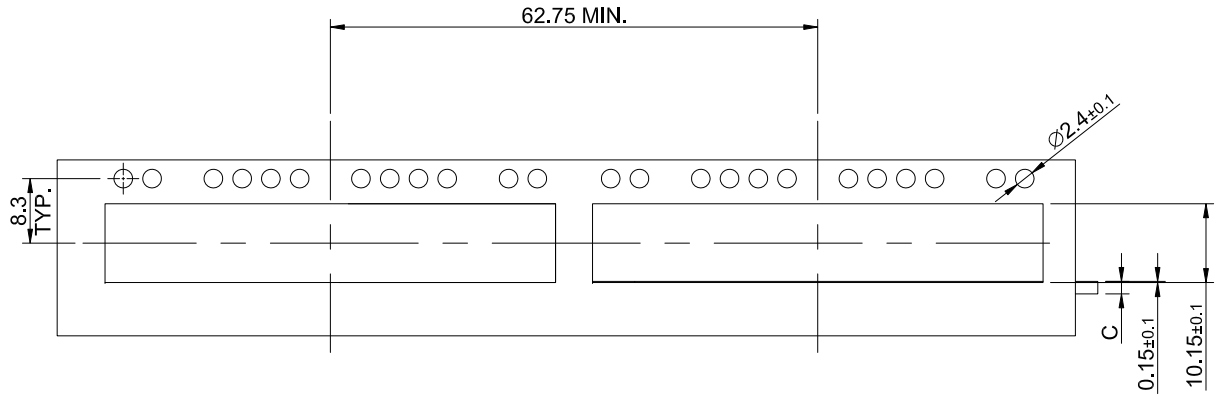
MATERIAL
 CAGE: NICKEL SILVER
 EMI SPRING: STAINLESS STEEL
 EMI GASKET FLANGE: STAINLESS STEEL
 EMI GASKET: CONDUCTIVE ELASTOMER
 HEAT SINK: ALUMINUM
 HEAT SINK CLIP: STAINLESS STEEL
 LIGHT PIPE: PC

FINISH
 HEAT SINK: ANODE PROCESS

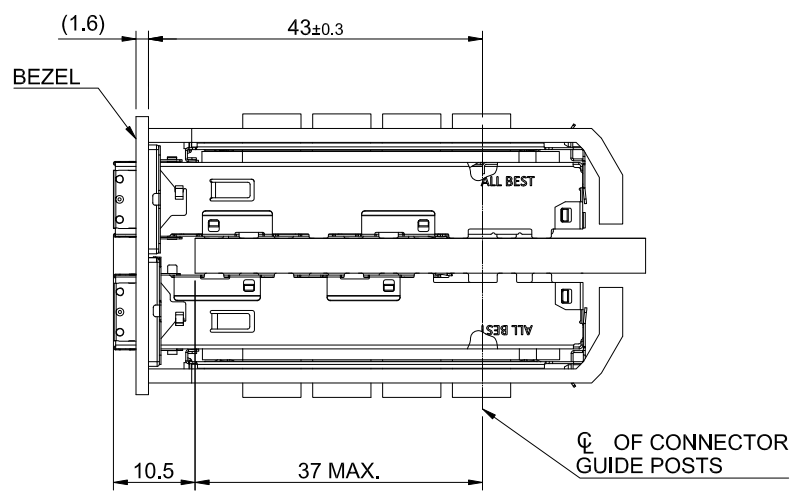
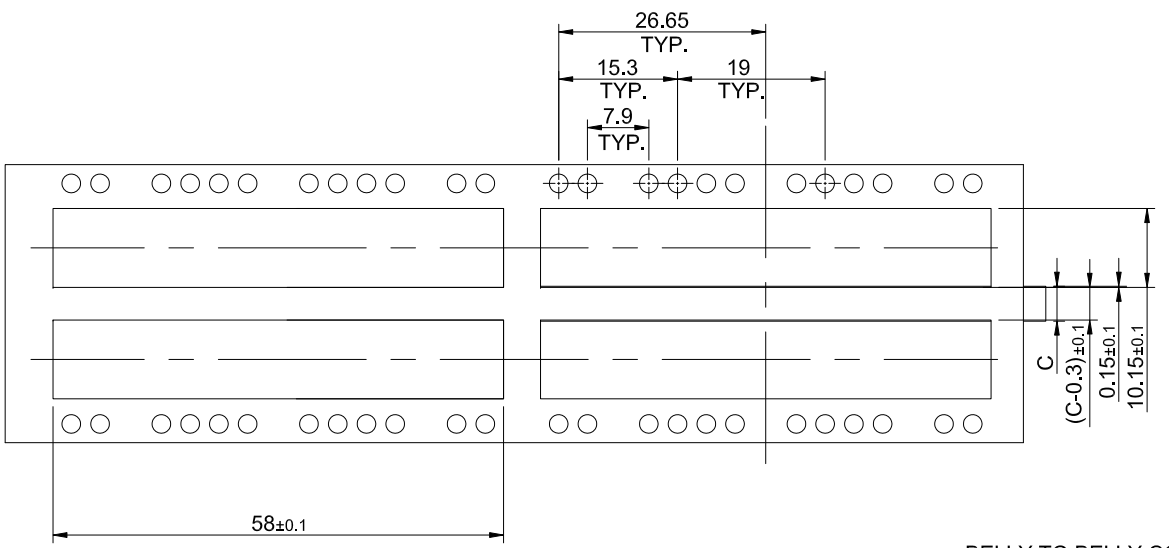
NOTE
 ▲ DIMENSION APPLIES WITH MODULE INSERTED IN CAGE



TITLE: QSFP28 1X3 Cage Assembly w/ Light Pipe & Heat Sink			
DWG#: R-OR-ZQ3-4CGEH-MK		SHEET: 1/4	REV. B
UNIT: mm	SCALE: A4 1:1	FINISH:	CHECKED: Gary Yang
THIRD ANGLE PROJECTION		MATERIAL: RoHS Compliant	APPROVED: George Yang
TOLERANCE: Angle: ± 1° X.± 0.25 .X± 0.20 .XX± 0.15		DRAWN: Kilin	DATE: 02/26/2019



SINGLE-SIDE CONFIGURATION



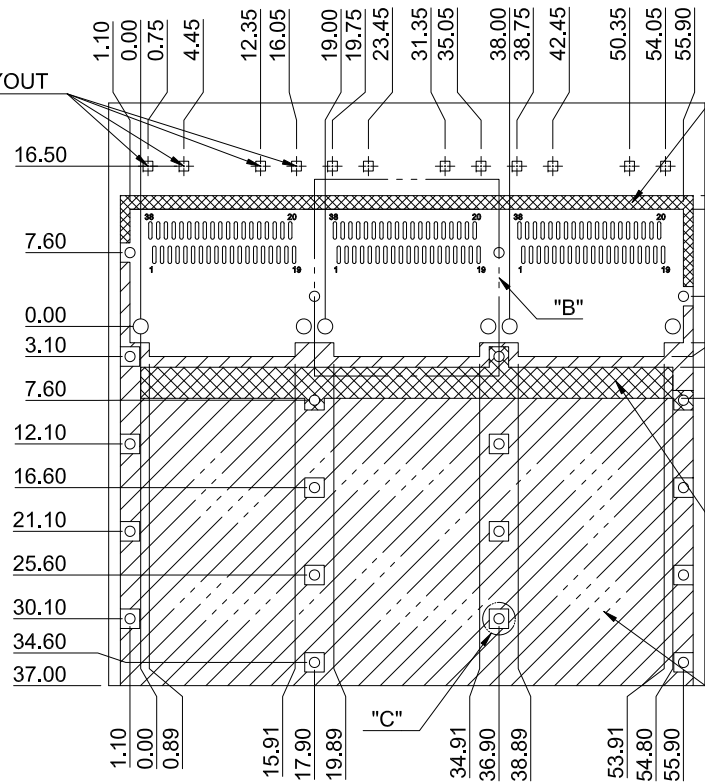
BELLY TO BELLY CONFIGURATION

C = THICKNESS OF PC BOARD
 SINGLE-SIDE = 1.6MM (MIN.)
 BELLY TO BELLY = 4.5MM (MIN.)



TITLE: QSFP28 1X3 Cage Assembly w/ Light Pipe & Heat Sink			
DWG#: R-OR-ZQ3-4CGEH-MK		SHEET: 2/4	REV. B
UNIT: mm	SCALE: A4 1:1	FINISH:	CHECKED: Gary Heng
THIRD ANGLE PROJECTION		MATERIAL: RoHS Compliant	APPROVED: George Yang
TOLERANCE: Angle: $\pm 1^\circ$		DRAWN: Kilin	DATE: 02/26/2019
X. ± 0.15 .X ± 0.10 .XX ± 0.05			

QUAD LIGHT PIPE LED LAYOUT

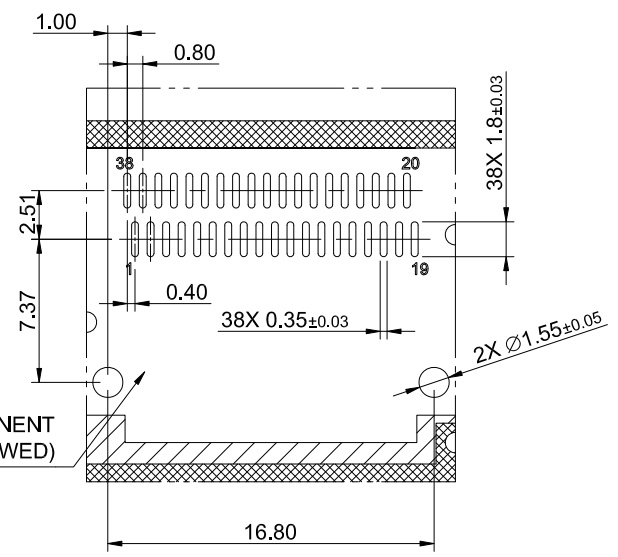


CROSS HATCHED AREA DENOTES WHERE SURFACE TRACES ARE PERMITTED

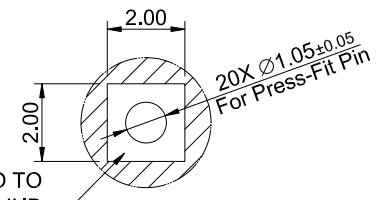
AREA DENOTES COMPONENT KEEP-OUT (TRACES ALLOWED)

CROSS HATCHED AREA DENOTES EMI GROUNDING PAD (MUST BE CONNECTED TO CHASSIS GROUND)

HATCHED AREA DENOTES COMPONENT AND TRACE KEEP-OUT (EXCEPT CHASSIS GROUND)



DETAIL B
SCALE 2:1

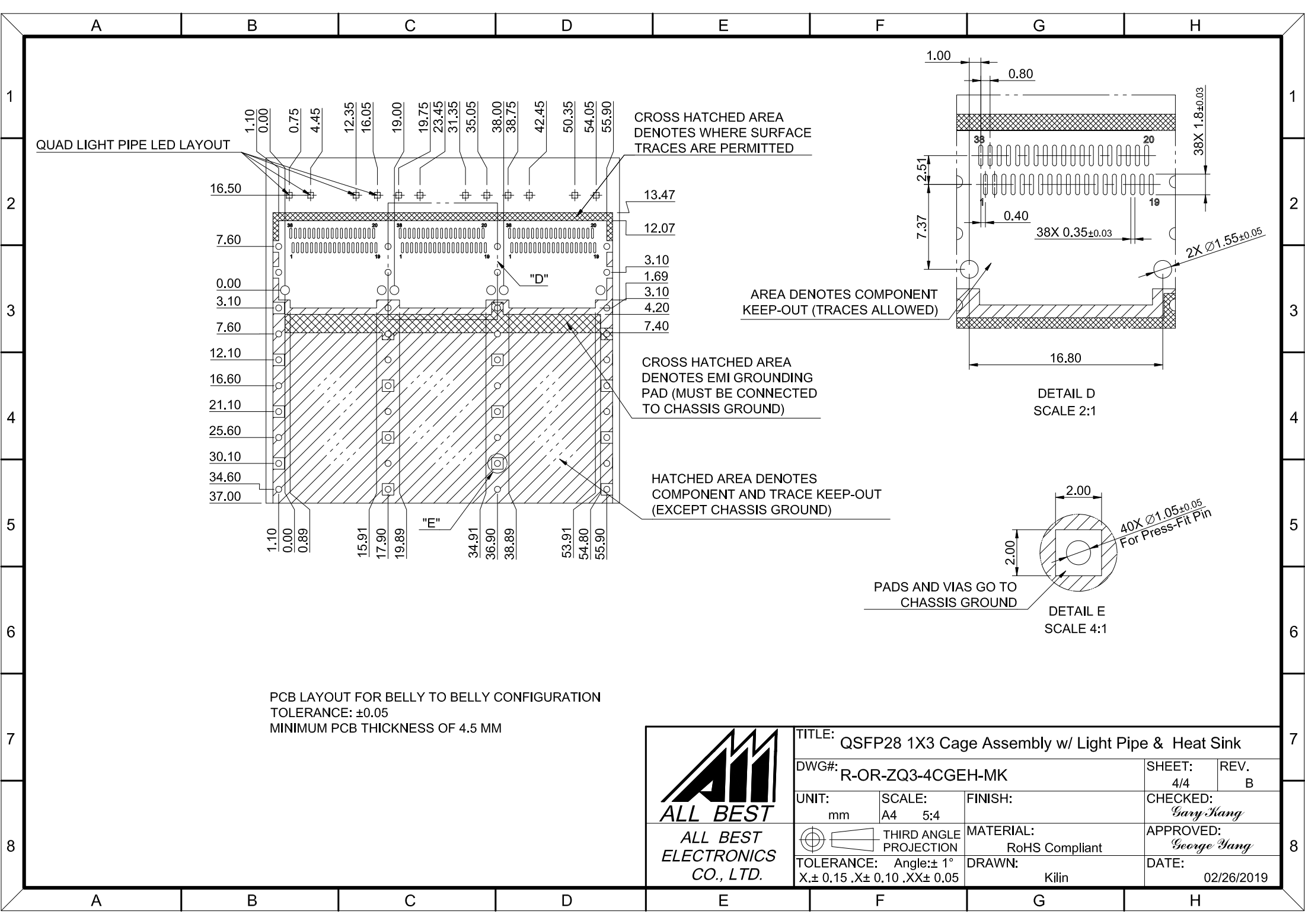


PADS AND VIAS GO TO CHASSIS GROUND
DETAIL C
SCALE 4:1

PCB LAYOUT FOR SINGLE-SIDE CONFIGURATION
TOLERANCE: ± 0.05
MINIMUM PCB THICKNESS OF 1.6 MM



TITLE: QSFP28 1X3 Cage Assembly w/ Light Pipe & Heat Sink			
DWG#: R-OR-ZQ3-4CGEH-MK		SHEET: 3/4	REV. B
UNIT: mm	SCALE: A4 5:4	CHECKED: Gary Yang	
THIRD ANGLE PROJECTION		APPROVED: George Yang	
TOLERANCE: Angle: $\pm 1^\circ$ X: ± 0.15 , .X: ± 0.10 , .XX: ± 0.05		MATERIAL: RoHS Compliant	DATE: 02/26/2019
		DRAWN: Kilin	



QUAD LIGHT PIPE LED LAYOUT

CROSS HATCHED AREA DENOTES WHERE SURFACE TRACES ARE PERMITTED

AREA DENOTES COMPONENT KEEP-OUT (TRACES ALLOWED)



CROSS HATCHED AREA DENOTES EMI GROUNDING PAD (MUST BE CONNECTED TO CHASSIS GROUND)

HATCHED AREA DENOTES COMPONENT AND TRACE KEEP-OUT (EXCEPT CHASSIS GROUND)

DETAIL D
SCALE 2:1

DETAIL E
SCALE 4:1

PCB LAYOUT FOR BELLY TO BELLY CONFIGURATION
TOLERANCE: ±0.05
MINIMUM PCB THICKNESS OF 4.5 MM

 ALL BEST ALL BEST ELECTRONICS CO., LTD.	TITLE: QSFP28 1X3 Cage Assembly w/ Light Pipe & Heat Sink		SHEET: 4/4		REV. B	
	DWG#: R-OR-ZQ3-4CGEH-MK		CHECKED: Gary Yang			
UNIT: mm	SCALE: A4 5:4	FINISH:		APPROVED: George Yang		
 THIRD ANGLE PROJECTION		MATERIAL: RoHS Compliant		DATE: 02/26/2019		
TOLERANCE: Angle: ± 1° X: ± 0.15 .X ± 0.10 .XX ± 0.05		DRAWN: Kilin				