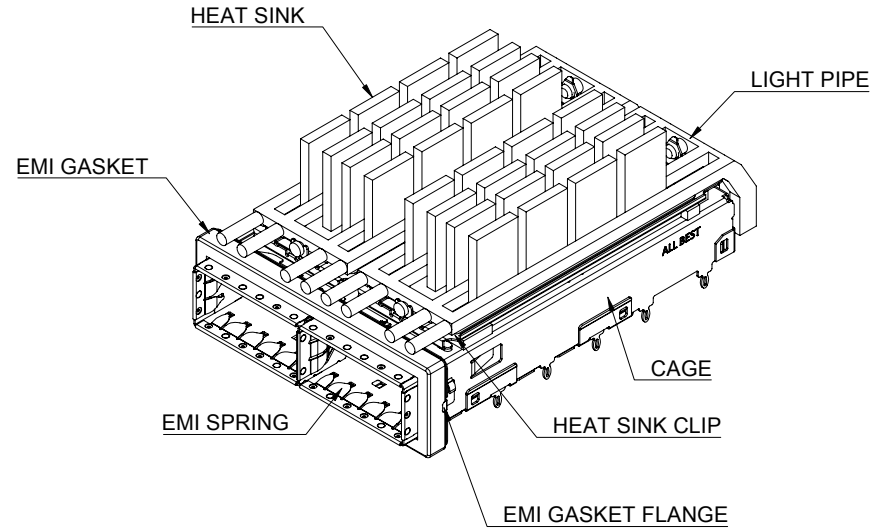
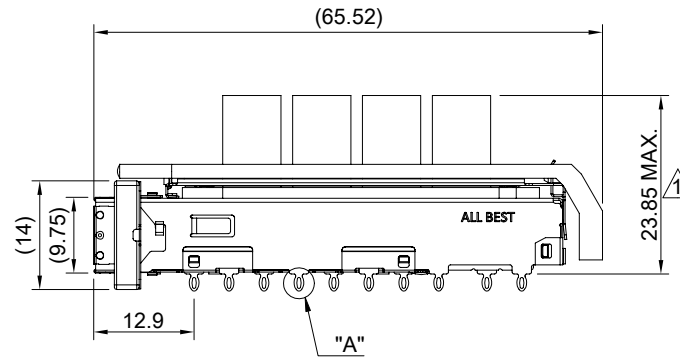
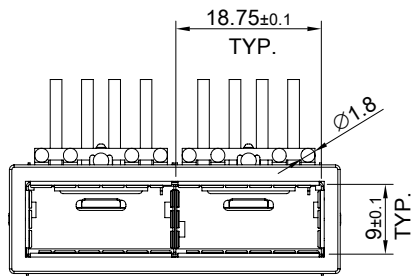


DETAIL A  
SCALE 4:1



MATERIAL  
 CAGE: NICKEL SILVER  
 EMI SPRING: STAINLESS STEEL  
 EMI GASKET FLANGE: STAINLESS STEEL  
 EMI GASKET: CONDUCTIVE ELASTOMER  
 HEAT SINK: ALUMINUM  
 HEAT SINK CLIP: STAINLESS STEEL  
 LIGHT PIPE: PC

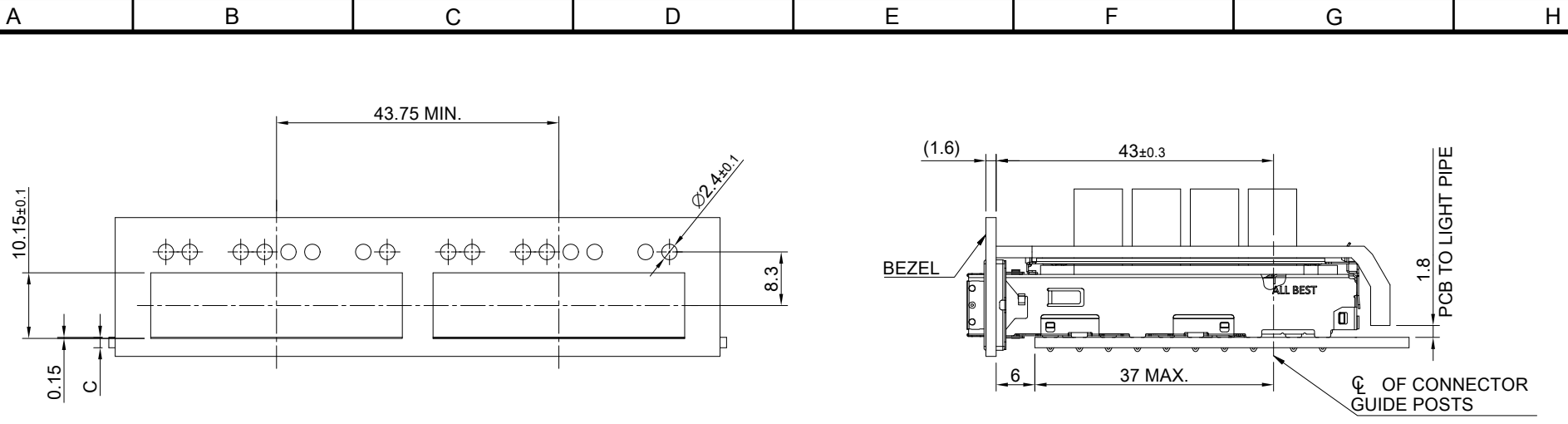
FINISH  
 HEAT SINK: ANODE PROCESS

NOTE  
 ▲ DIMENSION APPLIES WITH MODULE INSERTED IN CAGE

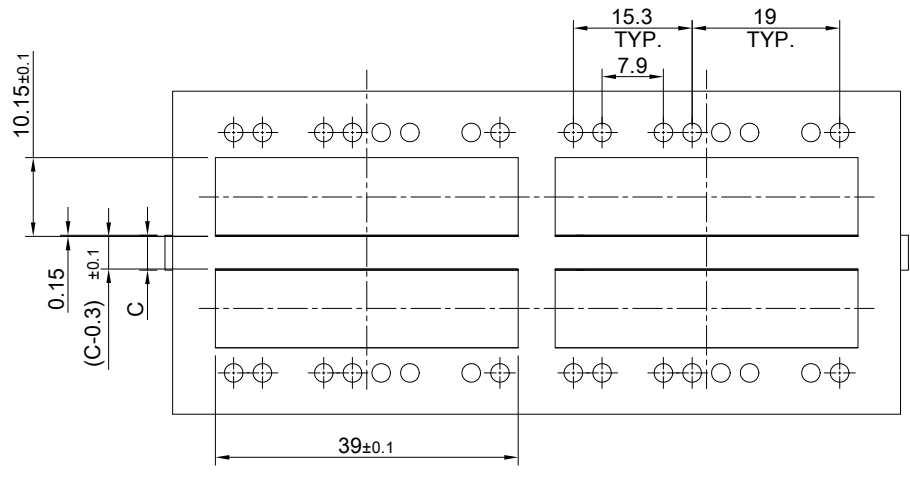
THIS PRINT IS  
**PRELIMINARY**  
 UNQUALIFIED PRODUCT  
 CONTACT PRODUCT ENGINEERING  
 BEFORE USING THIS PRINT



TITLE: QSFP28 1X2 Cage Assembly w/ NET Heat Sink & Light Pipe			
DWG#: R-OR-ZQ2-4CGEE-MK		SHEET: 1/4	REV. REF
UNIT: mm	SCALE: A4 1:1	CHECKED:	
TOLERANCE: Angle: ± 1° X.± 0.25 .X± 0.20 .XX± 0.15		MATERIAL: RoHS Compliant	APPROVED:
THIRD ANGLE PROJECTION		DRAWN: Gary	DATE: 03/25/2024



SINGLE-SIDE CONFIGURATION



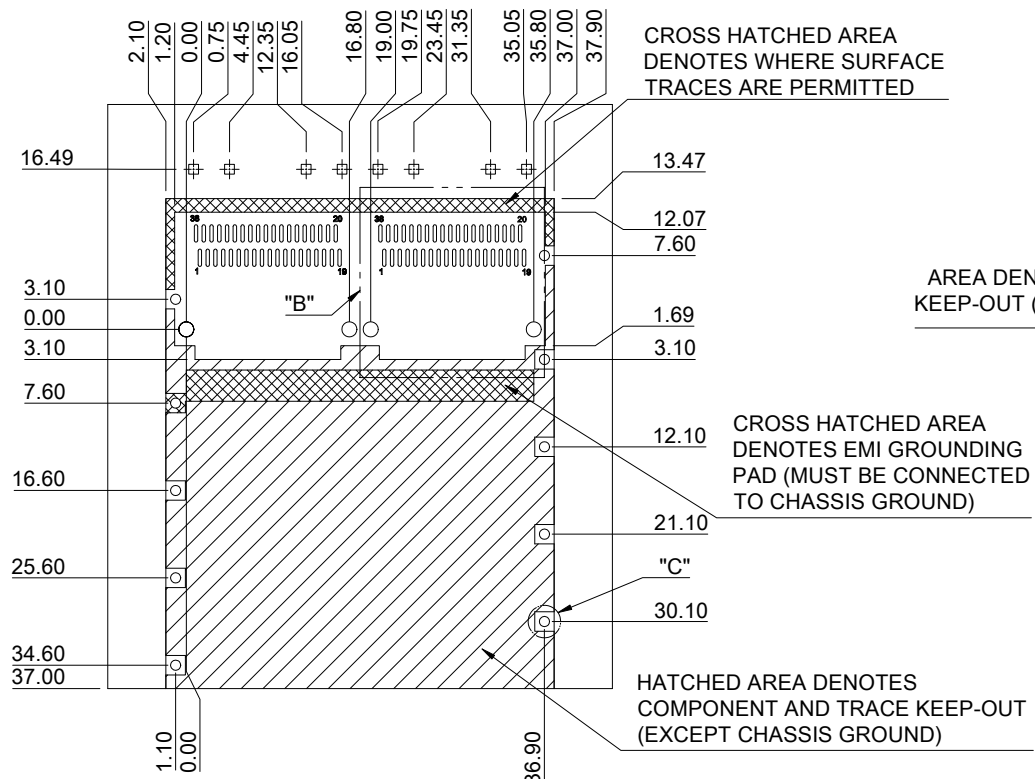
BELLY TO BELLY CONFIGURATION

C = THICKNESS OF PC BOARD  
 SINGLE-SIDE = 1.6MM (MIN.)  
 BELLY TO BELLY = 4.5MM (MIN.)

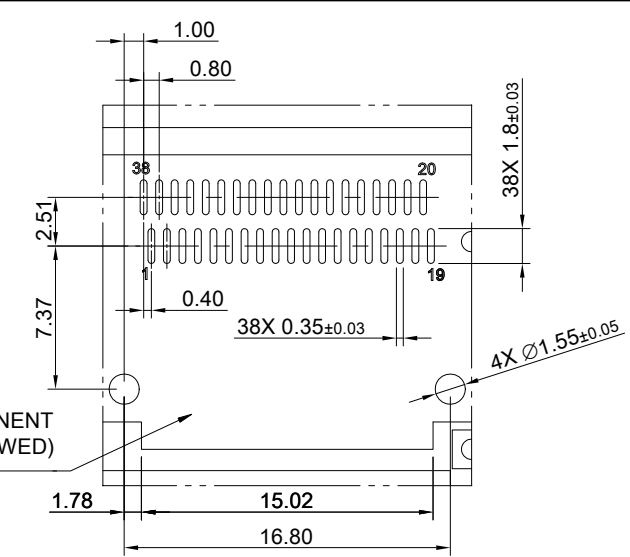
THIS PRINT IS  
**PRELIMINARY**  
 UNQUALIFIED PRODUCT  
 CONTACT PRODUCT ENGINEERING  
 BEFORE USING THIS PRINT



TITLE: QSFP28 1X2 Cage Assembly w/ NET Heat Sink & Light Pipe			
DWG#: R-OR-ZQ2-4CGEE-MK		SHEET: 2/4	REV. REF
UNIT: mm	SCALE: A4 1:1	FINISH:	
THIRD ANGLE PROJECTION		MATERIAL: RoHS Compliant	
TOLERANCE: Angle: ± 1°		DRAWN: Gary	APPROVED:
X ± 0.15 .X ± 0.10 .XX ± 0.05		DATE: 03/25/2024	

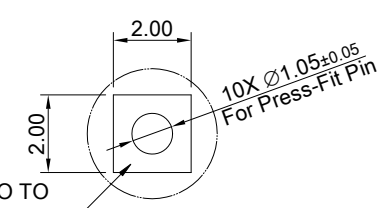


PCB LAYOUT FOR SINGLE-SIDE CONFIGURATION  
 TOLERANCE:  $\pm 0.05$   
 MINIMUM PCB THICKNESS OF 1.6 MM



AREA DENOTES COMPONENT KEEP-OUT (TRACES ALLOWED)

DETAIL B  
SCALE 2:1



PADS AND VIAS GO TO CHASSIS GROUND

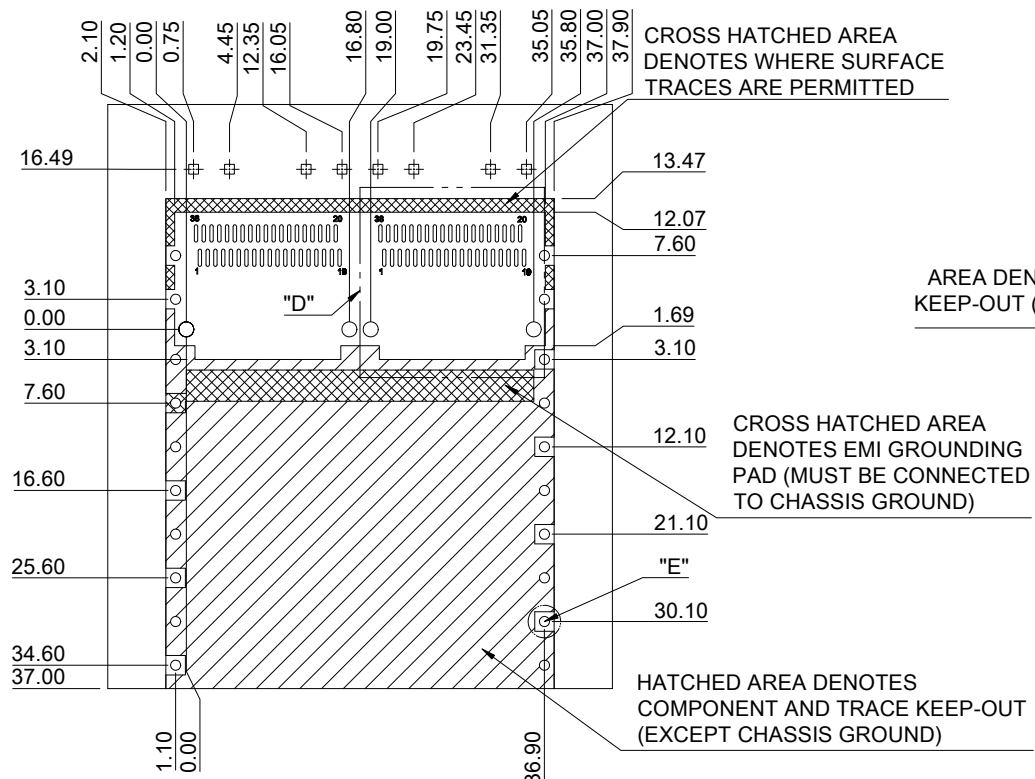
DETAIL C  
SCALE 4:1

THIS PRINT IS  
**PRELIMINARY**  
 UNQUALIFIED PRODUCT  
 CONTACT PRODUCT ENGINEERING  
 BEFORE USING THIS PRINT

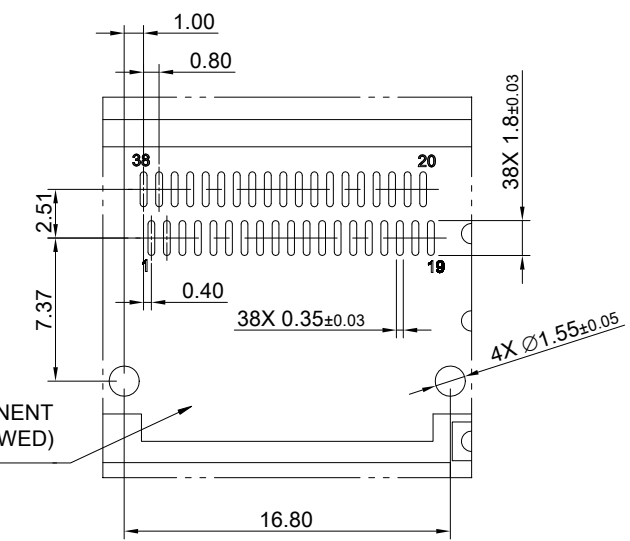


TITLE: QSFP28 1X2 Cage Assembly w/ NET Heat Sink & Light Pipe			
DWG#: R-OR-ZQ2-4CGEE-MK		SHEET: 3/4	REV. REF
UNIT: mm	SCALE: A4 5:4	FINISH:	
THIRD ANGLE PROJECTION		MATERIAL: RoHS Compliant	
TOLERANCE: Angle: $\pm 1^\circ$ X: $\pm 0.15$ .X: $\pm 0.10$ .XX: $\pm 0.05$		DRAWN: Gary	DATE: 03/25/2024

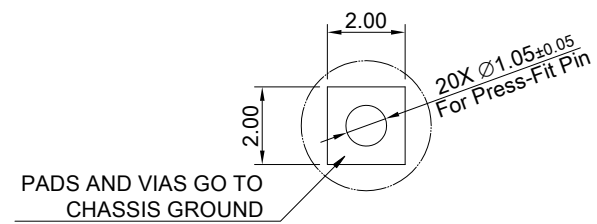
CHECKED:  
APPROVED:



PCB LAYOUT FOR BELLY TO BELLY CONFIGURATION  
 TOLERANCE:  $\pm 0.05$   
 MINIMUM PCB THICKNESS OF 4.5 MM



DETAIL D  
SCALE 2:1



DETAIL E  
SCALE 4:1

THIS PRINT IS  
**PRELIMINARY**  
 UNQUALIFIED PRODUCT  
 CONTACT PRODUCT ENGINEERING  
 BEFORE USING THIS PRINT



TITLE: QSFP28 1X2 Cage Assembly w/ NET Heat Sink & Light Pipe			
DWG#: R-OR-ZQ2-4CGEE-MK		SHEET: 4/4	REV. REF
UNIT: mm	SCALE: A4 5:4	FINISH:	CHECKED:
TOLERANCE: Angle: $\pm 1^\circ$ X $\pm 0.15$ .X $\pm 0.10$ .XX $\pm 0.05$		MATERIAL: RoHS Compliant	APPROVED:
THIRD ANGLE PROJECTION		DRAWN: Gary	DATE: 03/25/2024