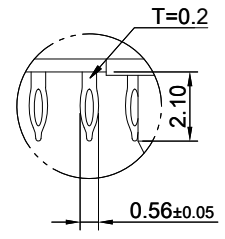
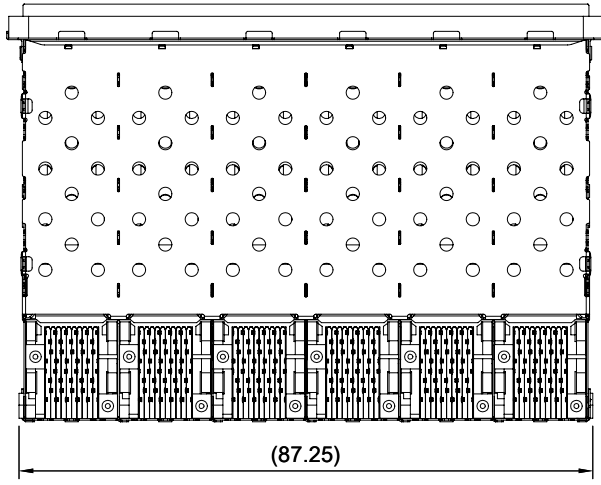
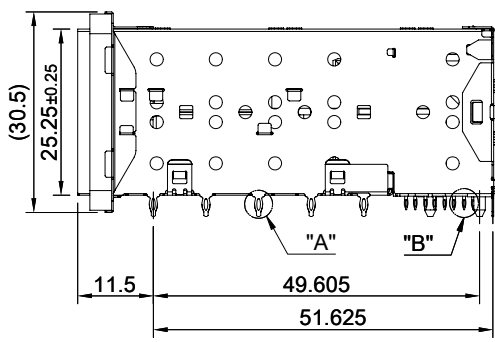
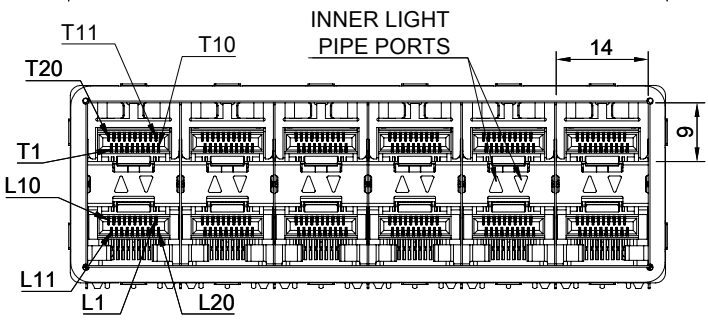
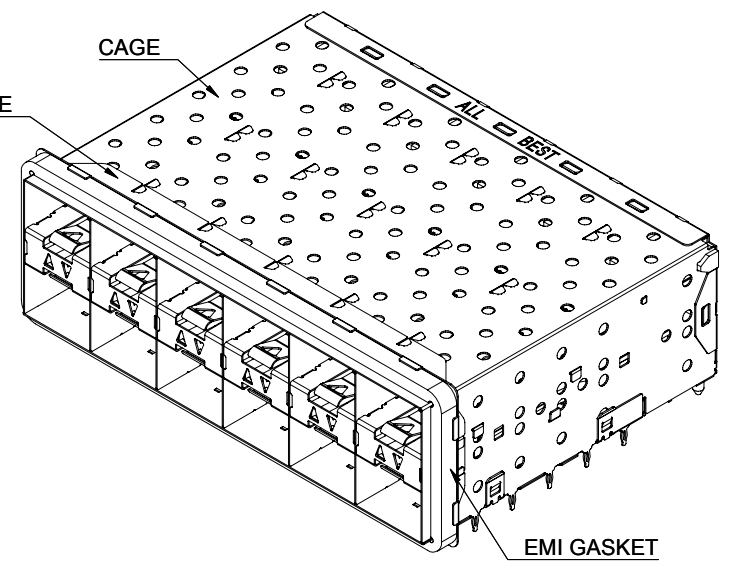


DETAIL A  
SCALE 5:1



DETAIL B  
SCALE 5:1



**MATERIAL**  
 CAGE: NICKEL SILVER  
 CONNECTOR: LCP 94V-0  
 COPPER ALLOY  
 EMI GASKET FLANGE: NICKEL SILVER  
 EMI GASKET: CONDUCTIVE ELASTOMER,(BLACK)

**FINISH**  
 CONTACT: 15µ" MIN. GOLD ON MATING END;  
 30µ" MIN. MATTE TIN ON TERMINATION END;  
 ALL UNDERPLATED NICKEL

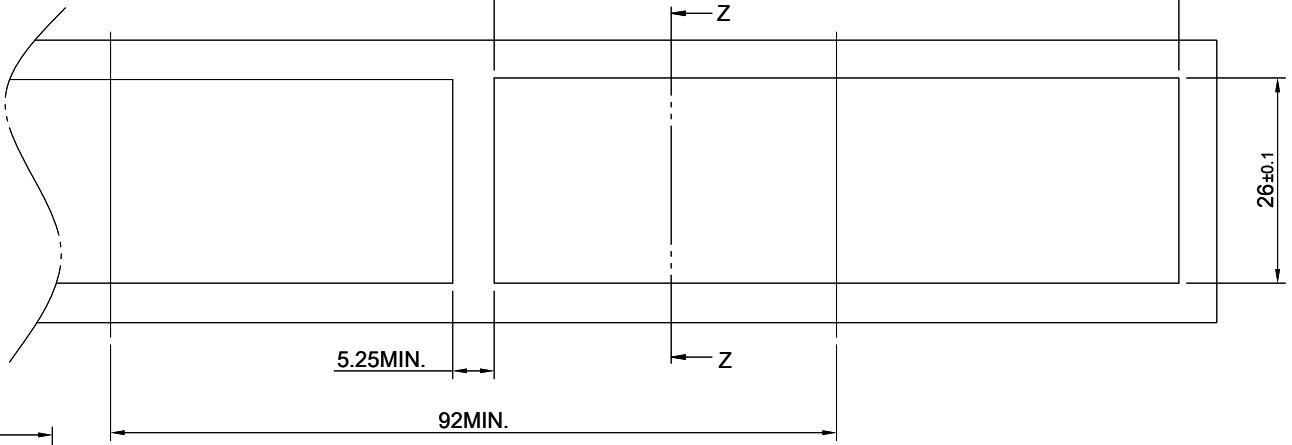
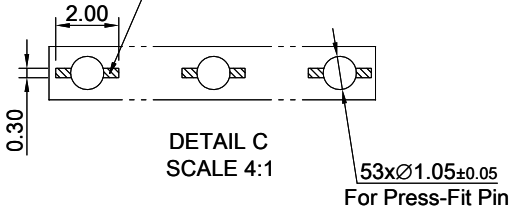
**ELECTRICAL CHARACTERISTICS**  
 CONTACT CURRENT RATING: 0.5 AMPERE  
 VOLTAGE RATING: 30 VAC  
 CONTACT RESISTANCE: 80 mΩ MAX.  
 DIELECTRIC WITHSTANDING VOLTAGE: 300 VAC

THIS PRINT IS  
**PRELIMINARY**  
 UNQUALIFIED PRODUCT  
 CONTACT PRODUCT ENGINEERING  
 BEFORE USING THIS PRINT

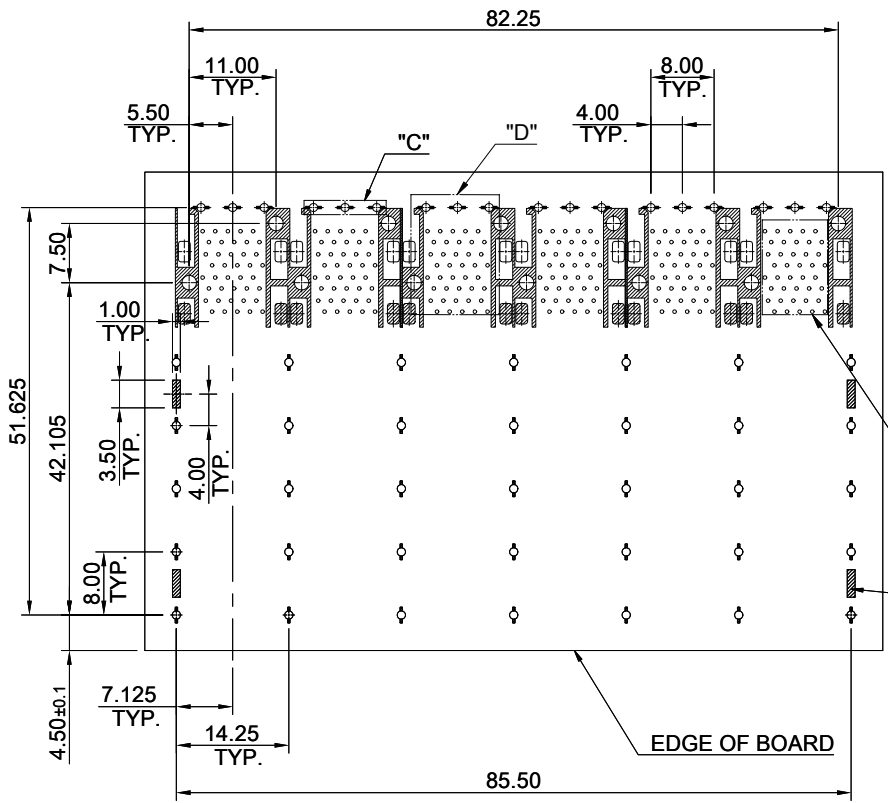


TITLE: Stacked SFP+ 2X6 ASS'Y w/ Internal Thermal Solution & Light Pipe			
DWG#: R-OP-008240-7-F-N2-36		SHEET: 1/3	REV. REF
UNIT: mm	SCALE: A4 6:5	FINISH:	CHECKED:
THIRD ANGLE PROJECTION		MATERIAL: RoHS Compliant	APPROVED:
TOLERANCE: Angle: ± 1° X.± 0.25 .X± 0.20 .XX± 0.15		DRAWN: Laura	DATE: 03/26/2024

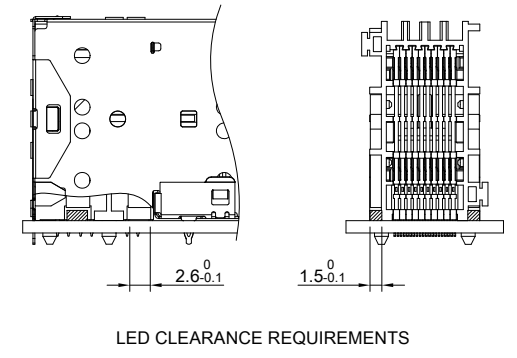
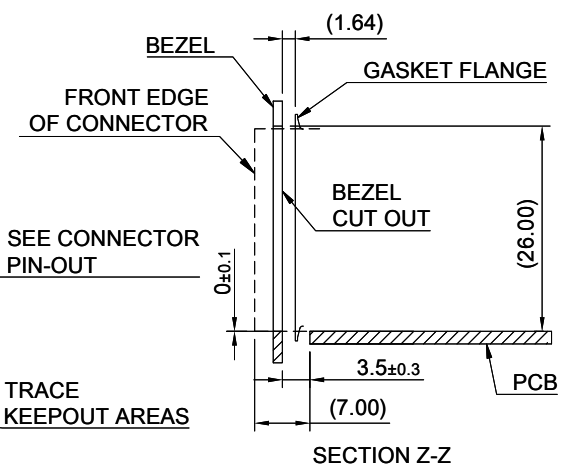
CROSS HATCHED AREA DENOTES EMI GROUNDING PAD (MUST BE CONNECTED) TO CHASSIS GROUND



RECOMMENDED BEZEL CUT-OUT SPACING DETAIL  
BEZEL THICKNESS 0.8~2.6MM



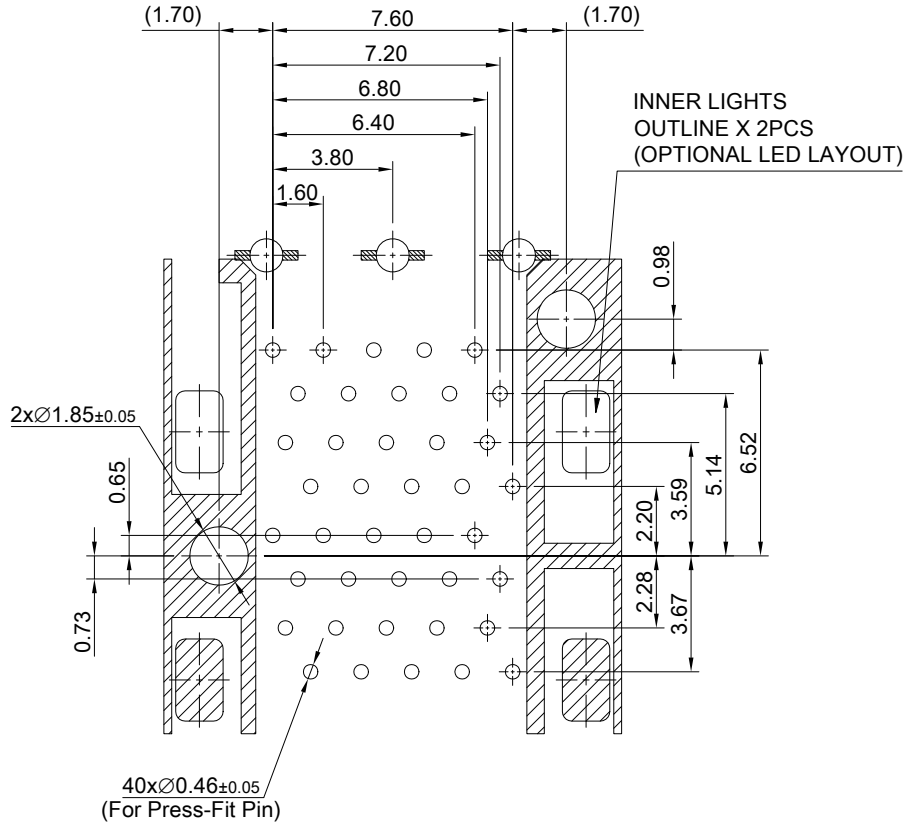
RECOMMENDED PCB LAYOUT  
TOLERANCE : ±0.05  
MINIMUM PCB THICKNESS OF 1.57MM



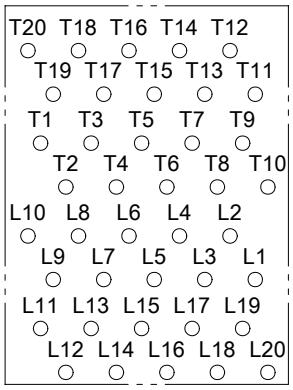
THIS PRINT IS  
**PRELIMINARY**  
UNQUALIFIED PRODUCT  
CONTACT PRODUCT ENGINEERING  
BEFORE USING THIS PRINT



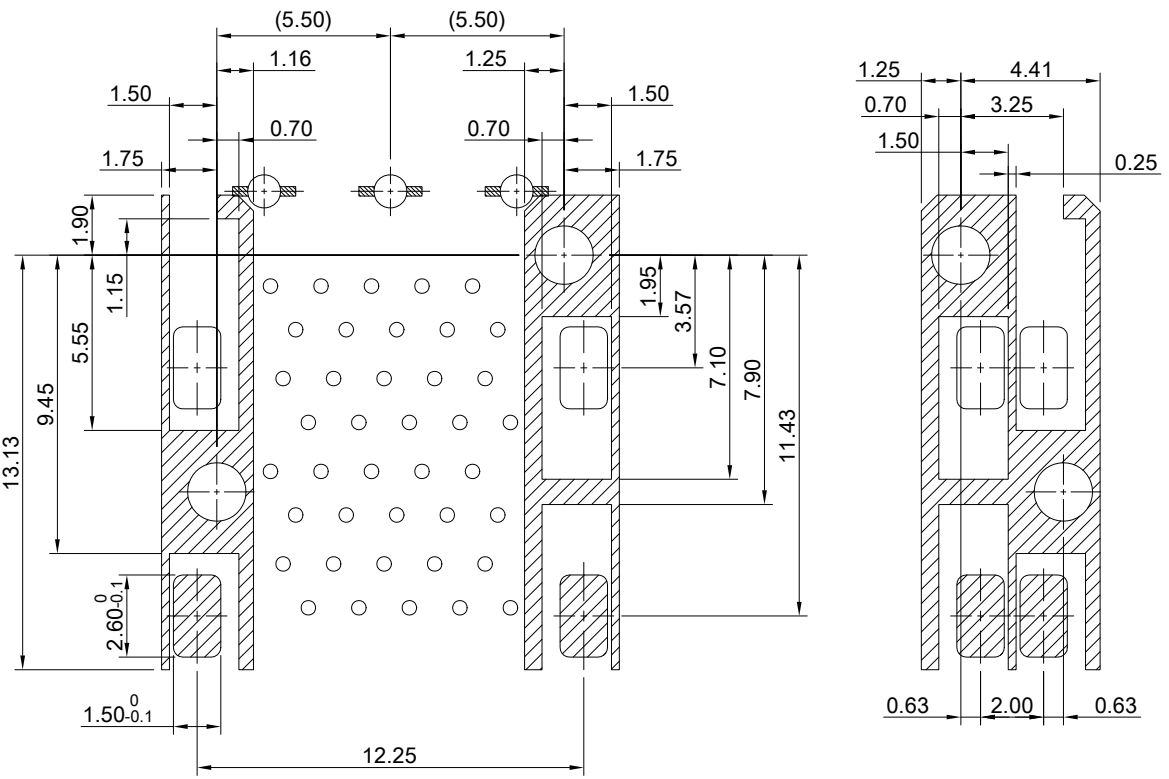
TITLE: Stacked SFP+ 2X6 ASS'Y w/ Internal Thermal Solution & Light Pipe			SHEET: 2/3	REV. REF
DWG#: R-OP-008240-7-F-N2-36			CHECKED:	APPROVED:
UNIT: mm	SCALE: A4 1:1	FINISH:	DATE: 03/26/2024	
TOLERANCE: X± 0.15 .X± 0.10 .XX± 0.05		MATERIAL: RoHS Compliant	DRAWN: Laura	
THIRD ANGLE PROJECTION				



DETAIL D  
TOLERANCE: ±0.05



CONNECTOR PIN OUT



KEEPOUT ZONE DETAIL

THIS PRINT IS  
**PRELIMINARY**  
UNQUALIFIED PRODUCT  
CONTACT PRODUCT ENGINEERING  
BEFORE USING THIS PRINT



TITLE: Stacked SFP+ 2X6 ASS'Y w/ Internal Thermal Solution & Light Pipe			
DWG#: R-OP-008240-7-F-N2-36		SHEET: 3/3	REV. REF
UNIT: mm	SCALE: A4 4:1	FINISH:	
TOLERANCE: Angle: ± 1° X. ± 0.15 .X ± 0.10 .XX ± 0.05		MATERIAL: RoHS Compliant	APPROVED:
THIRD ANGLE PROJECTION		DRAWN: Laura	DATE: 03/26/2024