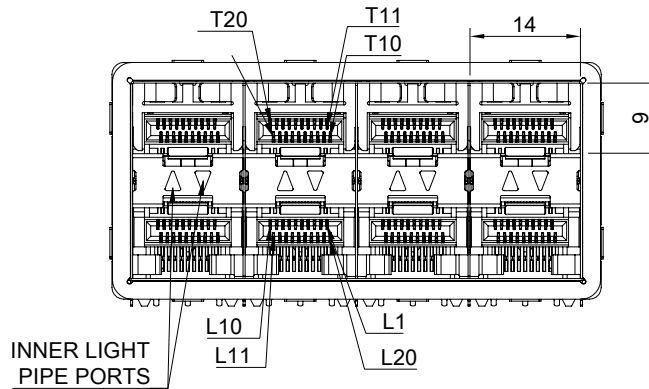
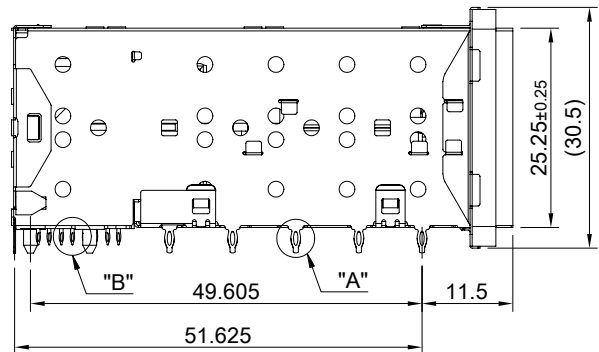
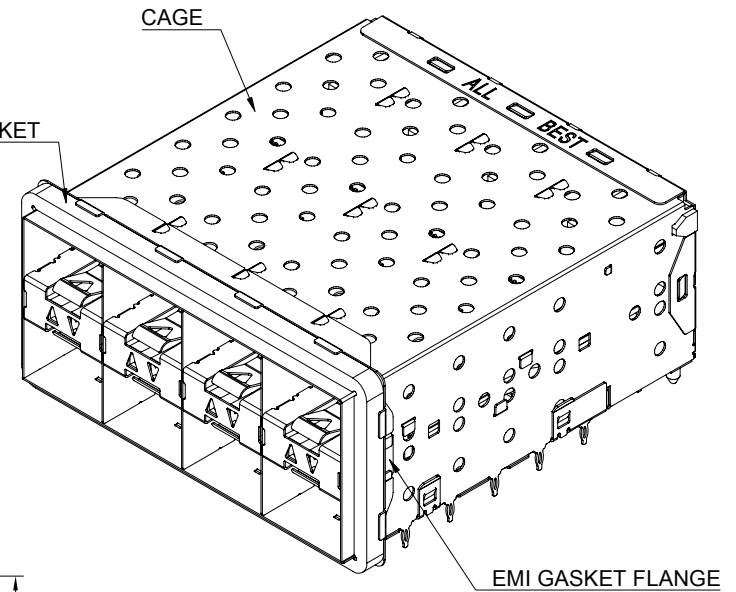


DETAIL A
SCALE: 5:1

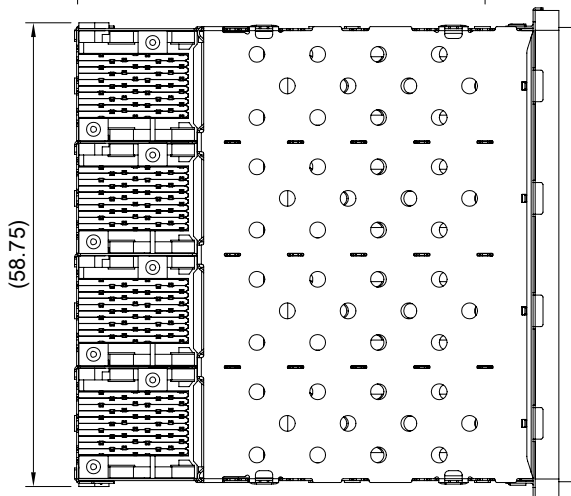
DETAIL B
SCALE: 5:1



INNER LIGHT
PIPE PORTS

- MATERIAL
 CAGE: NICKEL SILVER
 CONNECTOR: LCP 94V-0
 COPPER ALLOY
 EMI GASKET FLANGE: NICKEL SILVER
 EMI GASKET: CONDUCTIVE ELASTOMER,(BLACK)
 LIGHT PIPE: PC
 FINISH
 CONTACT: 15μ" MIN. GOLD ON MATING END;
 30μ" MIN. MATTE TIN ON TERMINATION END;
 ALL UNDERPLATED 50μ" MIN. NICKEL

- ELECTRICAL CHARACTERISTICS
 CONTACT CURRENT RATING: 0.5 AMPERE
 VOLTAGE RATING: 30 VAC
 CONTACT RESISTANCE: 80 mΩ MAX
 DIELECTRIC WITHSTANDING VOLTAGE: 300 VAC



THIS PRINT IS
PRELIMINARY
 UNQUALIFIED PRODUCT
 CONTACT PRODUCT ENGINEERING
 BEFORE USING THIS PRINT

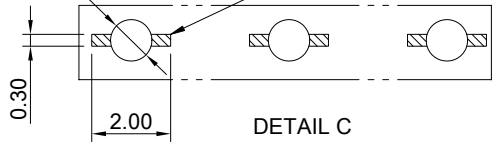


TITLE: Stacked SFP+ 2x4 ASS'Y w/ Internal Thermal Solution & Light Pipe			SHEET: 1/3	REV. REF
DWG#: R-OP-008160-7-F-N2-36			CHECKED:	APPROVED:
UNIT: mm	SCALE: A4 1:1	FINISH:	DATE: 03/21/2024	
TOLERANCE: Angle: ± 1° X ± 0.15 .X ± 0.10 .XX ± 0.05		MATERIAL: RoHS Compliant	DRAWN: Laura	

THIS PRINT IS
PRELIMINARY
 UNQUALIFIED PRODUCT
 CONTACT PRODUCT ENGINEERING
 BEFORE USING THIS PRINT

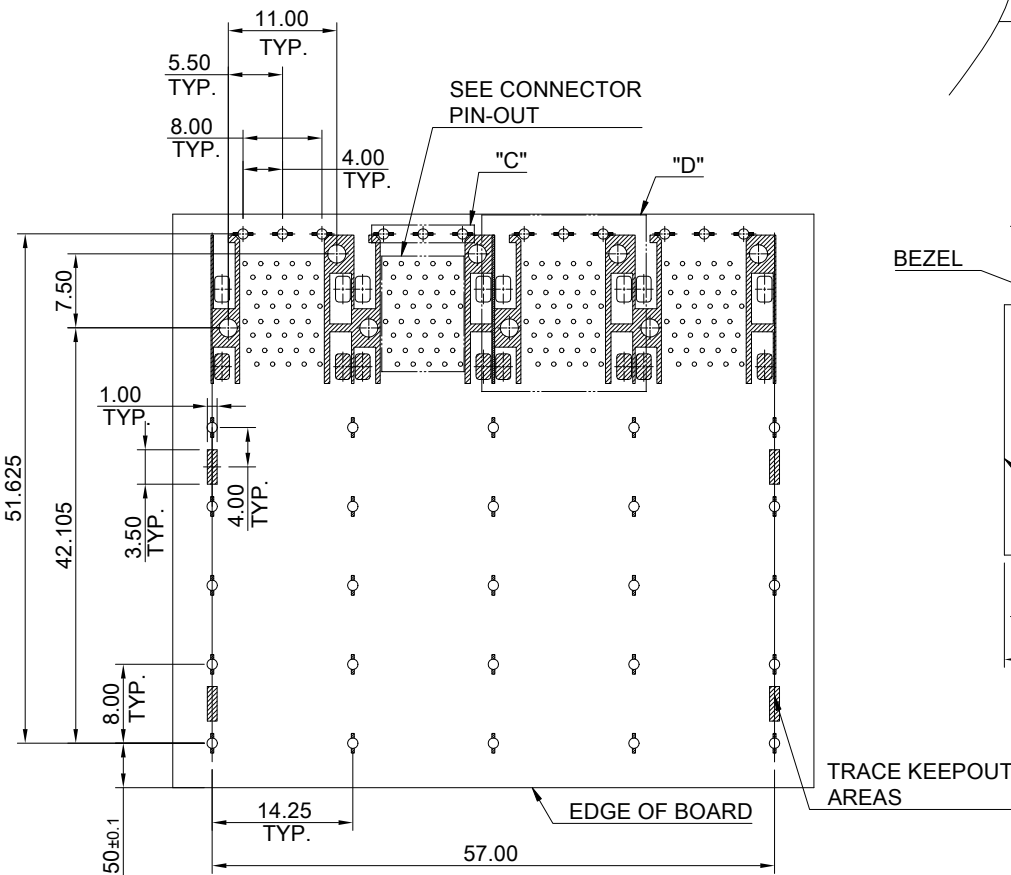
37x \varnothing 1.05 \pm 0.05
 For Press-Fit Pin

CROSS HATCHED AREA DENOTES EMI
 GROUNDING PAD (MUST BE CONNECTED)
 TO CHASSIS GROUND

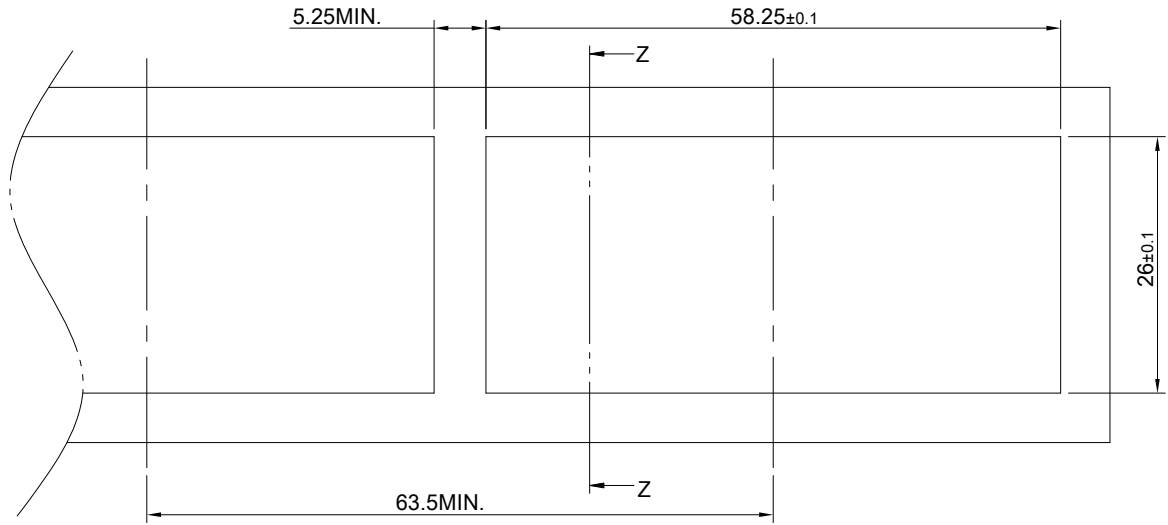


DETAIL C
 SCALE 4:1

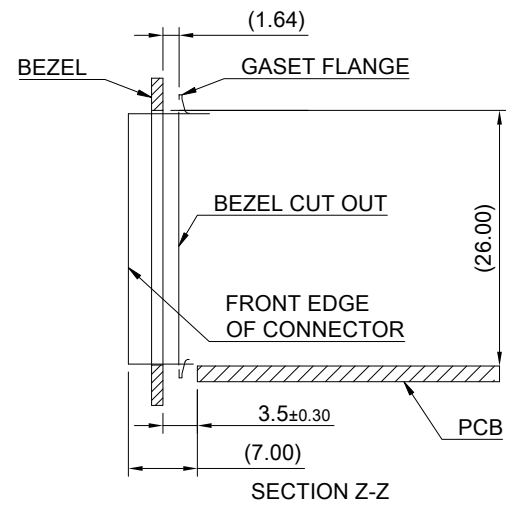
SEE CONNECTOR
 PIN-OUT



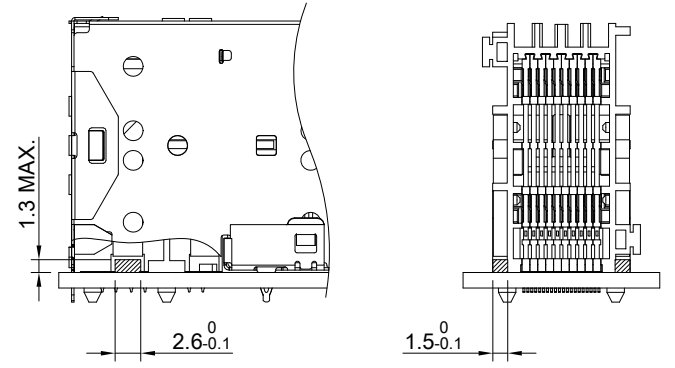
RECOMMENDED PCB LAYOUT
 TOLERANCE: \pm 0.05
 MINIMUM PCB THICKNESS OF 1.57MM



RECOMMENDED CUT-OUT SPACING DETAIL
 BEZEL THICKNESS 0.8~2.6MM



SECTION Z-Z



LED CLEARANCE REQUIREMENTS

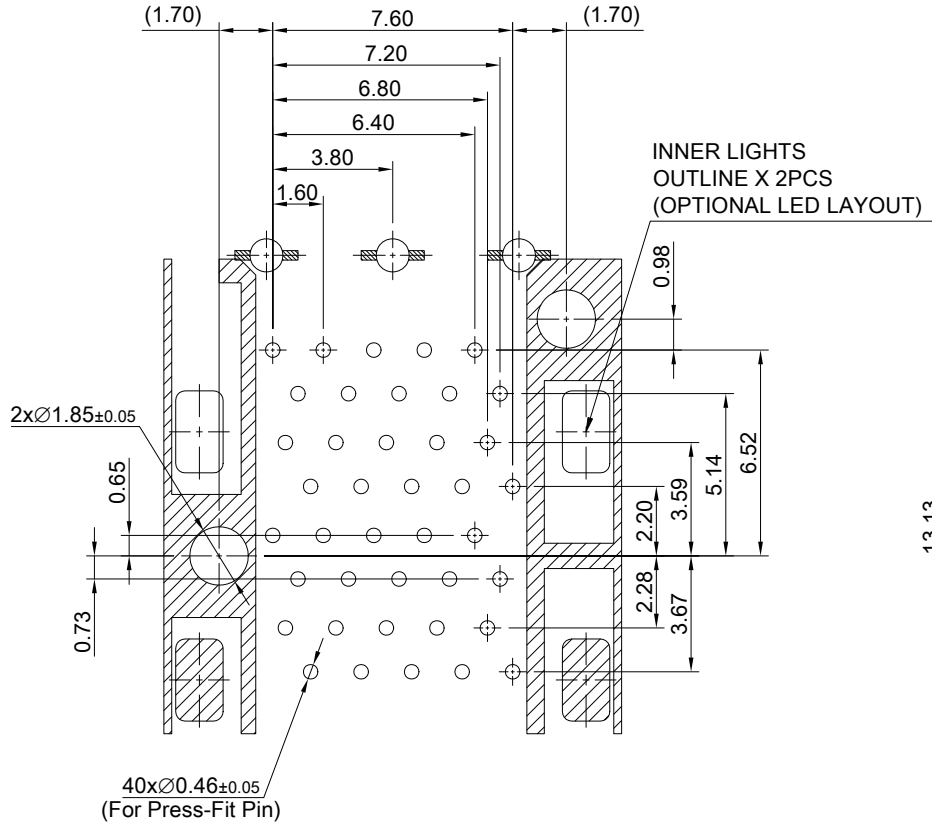


TITLE: Stacked SFP+ 2x4 ASS'Y w/ Internal Thermal Solution & Light Pipe			
DWG#: R-OP-008160-7-F-N2-36		SHEET: 2/3	REV. REF
UNIT: mm	SCALE: A4 5:4	FINISH:	
TOLERANCE: Angle: \pm 1° X. \pm 0.15 .X \pm 0.10 .XX \pm 0.05		MATERIAL: RoHS Compliant	
THIRD ANGLE PROJECTION		APPROVED:	
DRAWN: Laura		DATE: 03/21/2024	

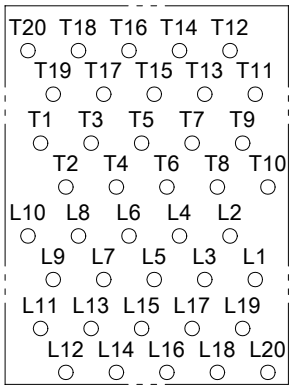
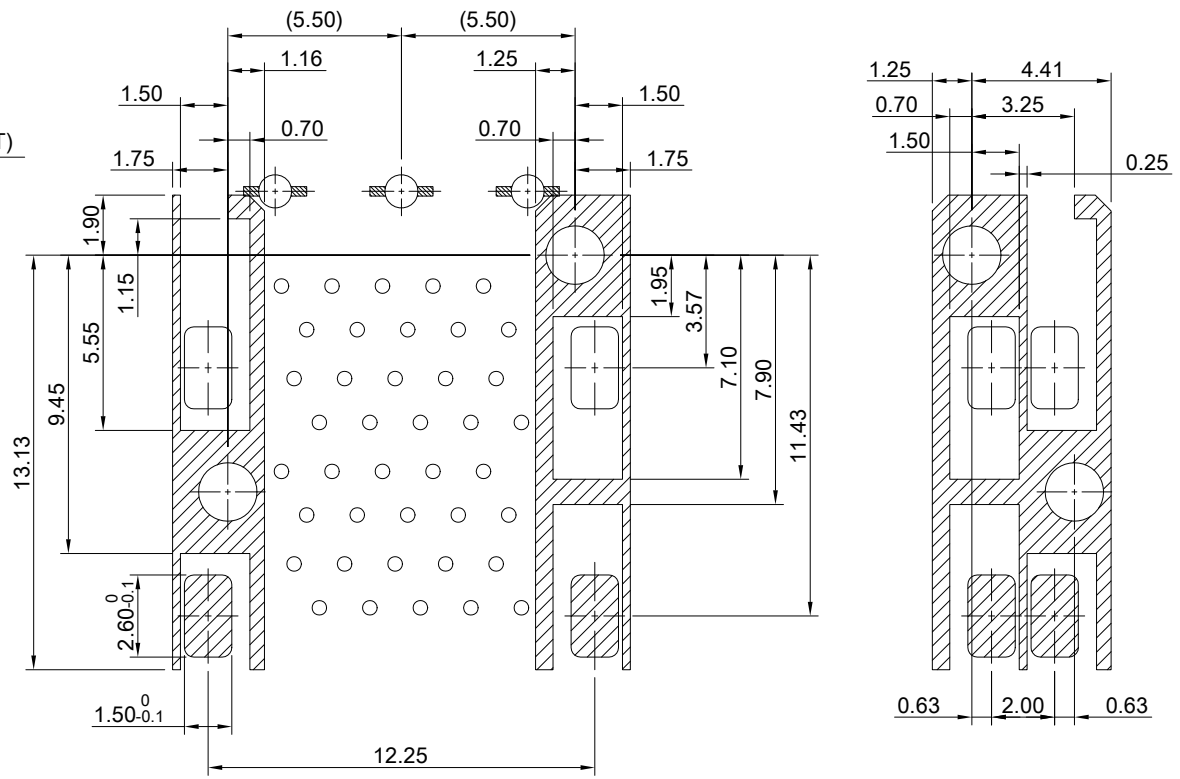
1
2
3
4
5
6
7
8

1
2
3
4
5
6
7
8

A B C D E F G H



DETAIL D
TOLERANCE: ±0.05



CONNECTOR PIN OUT

THIS PRINT IS
PRELIMINARY
UNQUALIFIED PRODUCT
CONTACT PRODUCT ENGINEERING
BEFORE USING THIS PRINT



TITLE: Stacked SFP+ 2x4 ASS'Y w/ Internal Thermal Solution & Light Pipe			
DWG#: R-OP-008160-7-F-N2-36		SHEET: 3/3	REV. REF
UNIT: mm	SCALE: A4 4:1	FINISH:	CHECKED:
TOLERANCE: Angle: ± 1° X.± 0.15 .X± 0.10 .XX± 0.05		MATERIAL: RoHS Compliant	APPROVED:
THIRD ANGLE PROJECTION		DRAWN: Laura	DATE: 03/21/2024