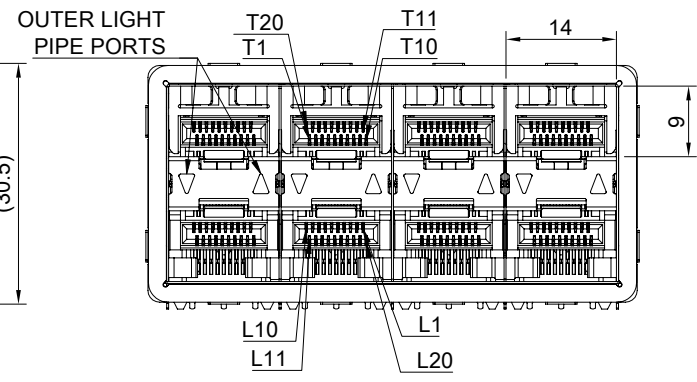
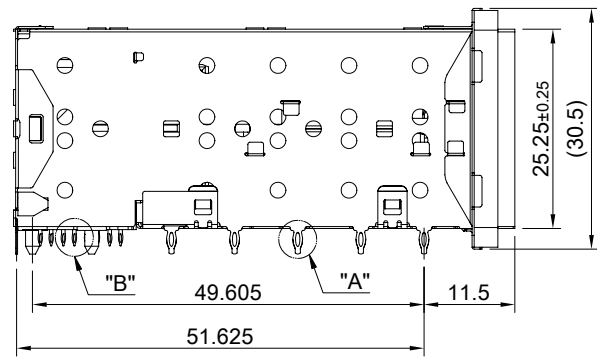
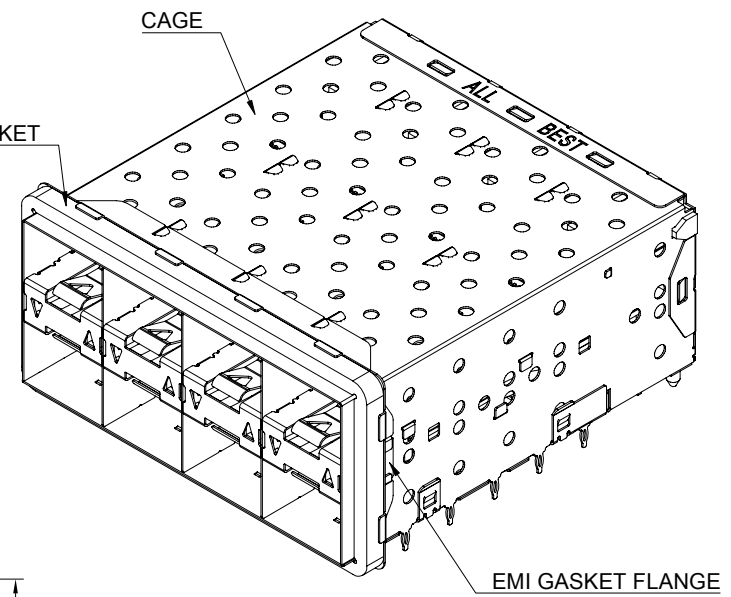


DETAIL A
SCALE: 5:1

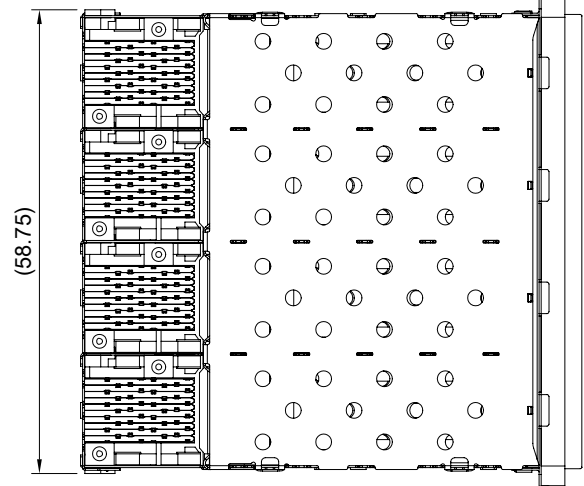
DETAIL B
SCALE: 5:1



MATERIAL
 CAGE: NICKEL SILVER
 CONNECTOR: LCP 94V-0
 COPPER ALLOY
 EMI GASKET FLANGE: NICKEL SILVER
 EMI GASKET: CONDUCTIVE ELASTOMER, (BLACK)
 LIGHT PIPE: PC

FINISH
 CONTACT: 15μ" MIN. GOLD ON MATING END;
 30μ" MIN. MATTE TIN ON TERMINATION END;
 ALL UNDERPLATED 50μ" MIN. NICKEL

ELECTRICAL CHARACTERISTICS
 CONTACT CURRENT RATING: 0.5 AMPERE
 VOLTAGE RATING: 30 VAC
 CONTACT RESISTANCE: 80 mΩ MAX
 DIELECTRIC WITHSTANDING VOLTAGE: 300 VAC



THIS PRINT IS
PRELIMINARY
 UNQUALIFIED PRODUCT
 CONTACT PRODUCT ENGINEERING
 BEFORE USING THIS PRINT

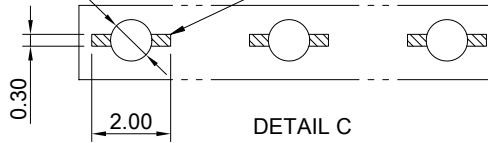


TITLE: Stacked SFP+ 2x4 ASS'Y w/ Internal Thermal Solution & Light Pipe			
DWG#: R-OP-008160-7-F-N2-33		SHEET: 1/3	REV. REF
UNIT: mm	SCALE: A4 1:1	FINISH:	CHECKED:
TOLERANCE: Angle: ± 1° X ± 0.15 .X ± 0.10 .XX ± 0.05		MATERIAL: RoHS Compliant	APPROVED:
THIRD ANGLE PROJECTION		DRAWN: Laura	DATE: 03/21/2024

THIS PRINT IS
PRELIMINARY
 UNQUALIFIED PRODUCT
 CONTACT PRODUCT ENGINEERING
 BEFORE USING THIS PRINT

37x \varnothing 1.05 \pm 0.05
 For Press-Fit Pin

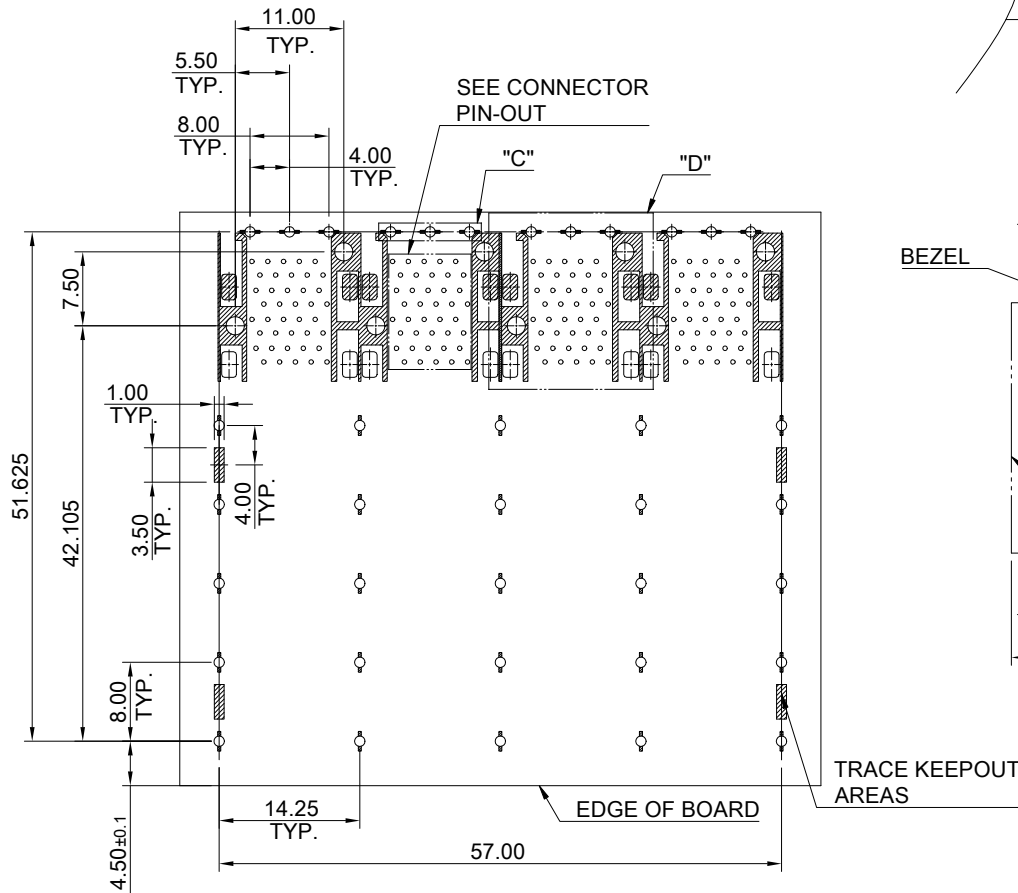
CROSS HATCHED AREA DENOTES EMI
 GROUNDING PAD (MUST BE CONNECTED)
 TO CHASSIS GROUND



DETAIL C
 SCALE 4:1

SEE CONNECTOR
 PIN-OUT

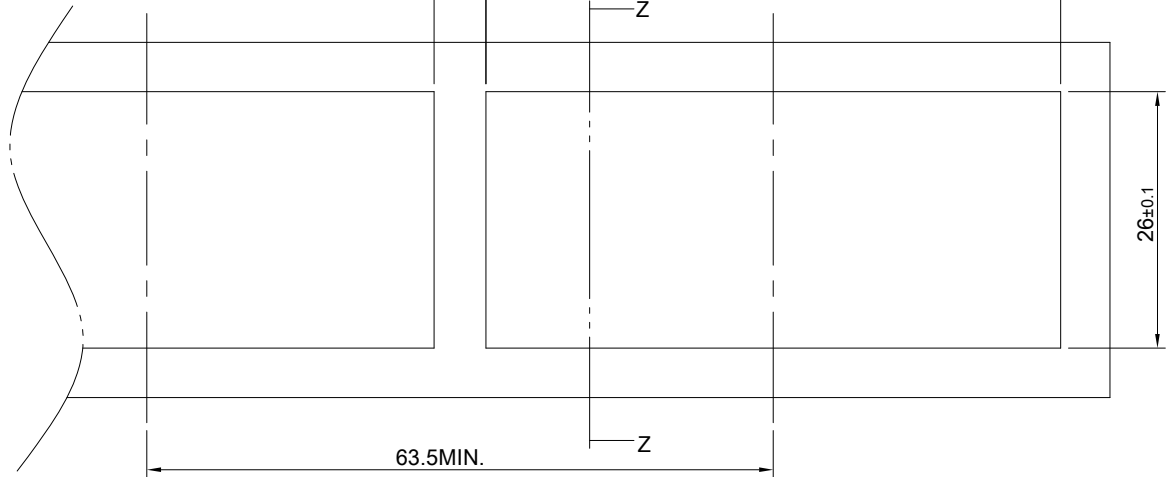
"C" "D"



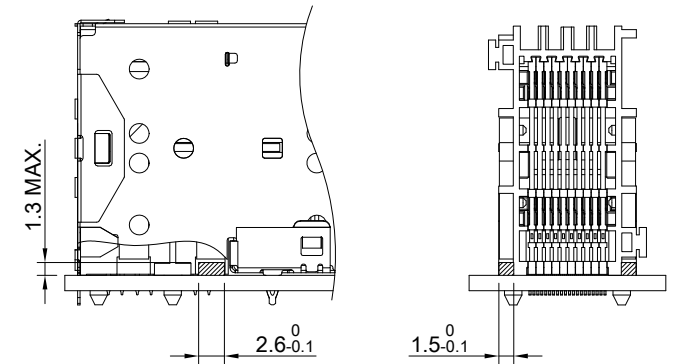
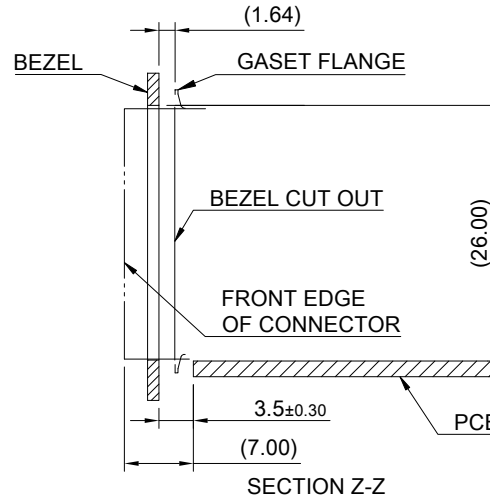
RECOMMENDED PCB LAYOUT
 TOLERANCE: \pm 0.05
 MINIMUM PCB THICKNESS OF 1.57MM

5.25MIN.

58.25 \pm 0.1



RECOMMENDED CUT-OUT SPACING DETAIL
 BEZEL THICKNESS 0.8~2.6MM



LED CLEARANCE REQUIREMENTS



ALL BEST
 ELECTRONICS
 CO., LTD.

TITLE: Stacked SFP+ 2x4 ASS'Y w/ Internal Thermal Solution
 & Light Pipe

DWG#: R-OP-008160-7-F-N2-33

SHEET: 2/3
 REV. REF

UNIT: mm
 SCALE: A4 5:4

FINISH:

CHECKED:

THIRD ANGLE
 PROJECTION

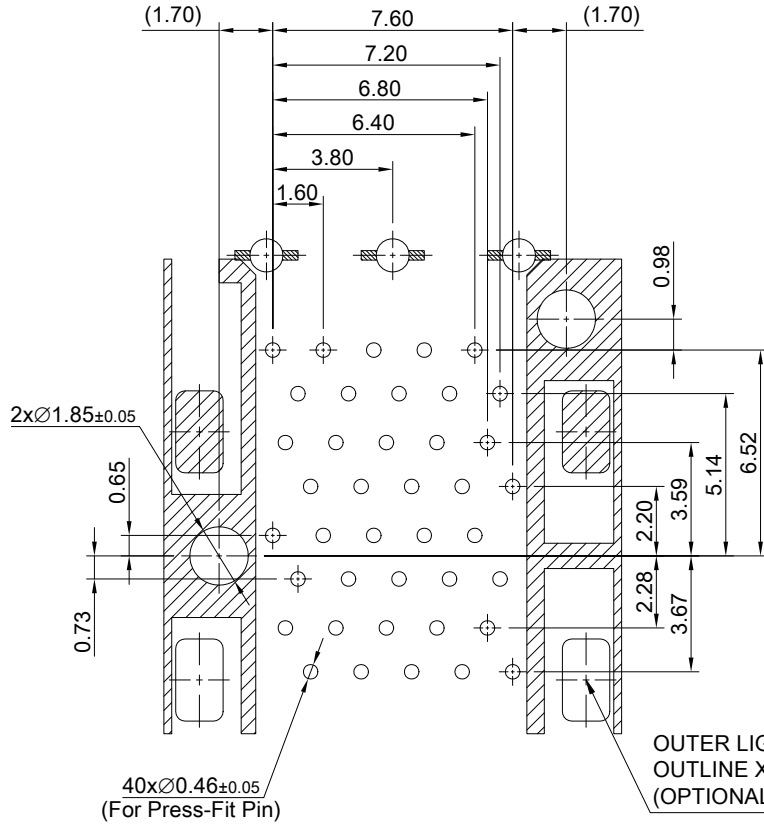
MATERIAL:
 RoHS Compliant

APPROVED:

TOLERANCE: Angle: \pm 1°
 X. \pm 0.15 .X \pm 0.10 .XX \pm 0.05

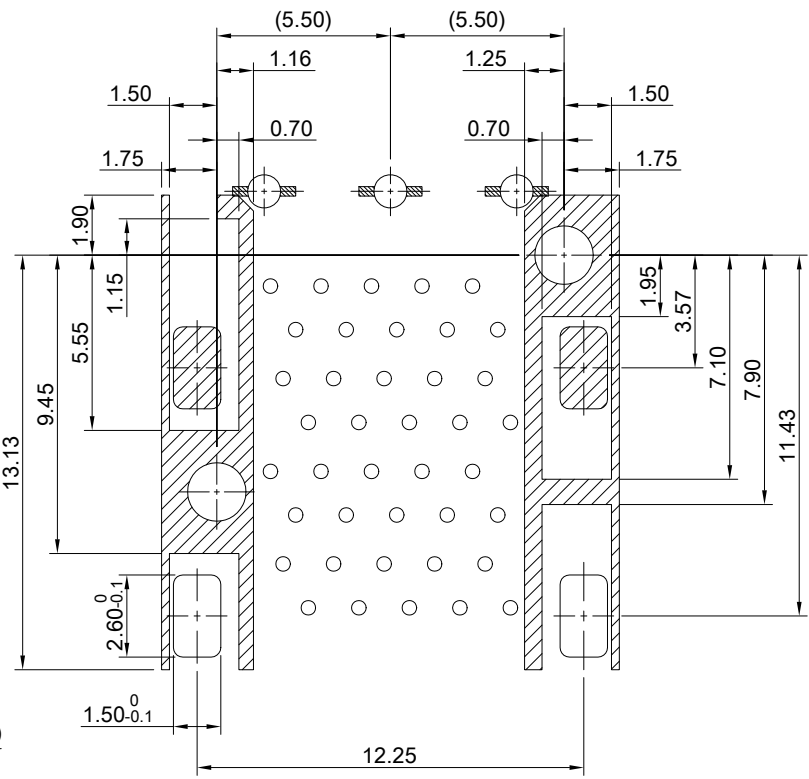
DRAWN:
 Laura

DATE:
 03/21/2024

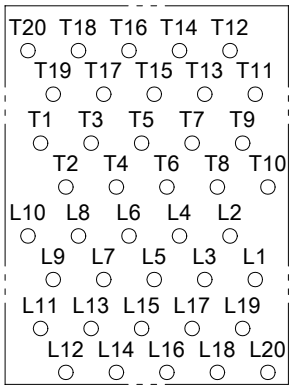
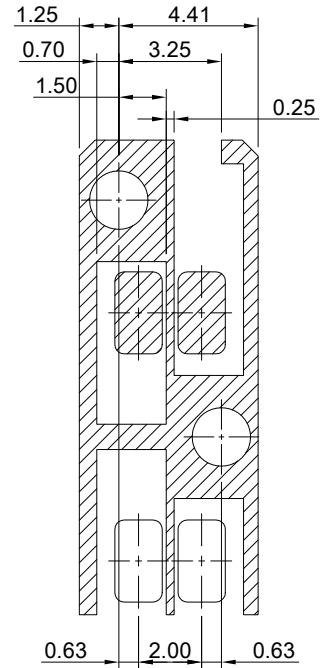


OUTER LIGHTS
OUTLINE X 2PCS
(OPTIONAL LED LAYOUT)

DETAIL D
TOLERANCE: ± 0.05



KEEPOUT ZONE DETAIL



THIS PRINT IS
PRELIMINARY
UNQUALIFIED PRODUCT
CONTACT PRODUCT ENGINEERING
BEFORE USING THIS PRINT



TITLE: Stacked SFP+ 2x4 ASS'Y w/ Internal Thermal Solution & Light Pipe			
DWG#: R-OP-008160-7-F-N2-33		SHEET: 3/3	REV. REF
UNIT: mm	SCALE: A4 4:1	FINISH:	CHECKED:
TOLERANCE: Angle: $\pm 1^\circ$ X: ± 0.15 .X: ± 0.10 .XX: ± 0.05		MATERIAL: RoHS Compliant	APPROVED:
THIRD ANGLE PROJECTION		DRAWN: Laura	DATE: 03/21/2024