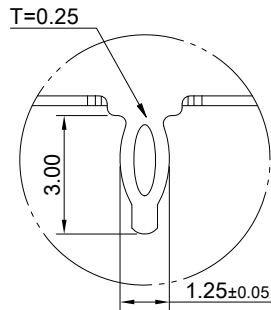
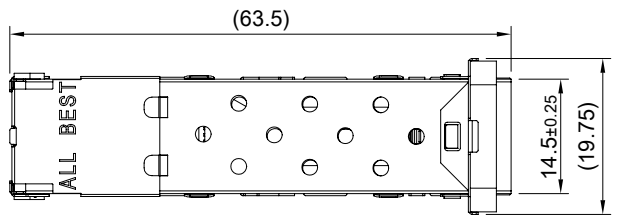


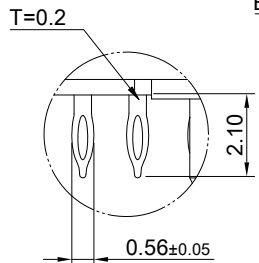
A B C D E F G H

1

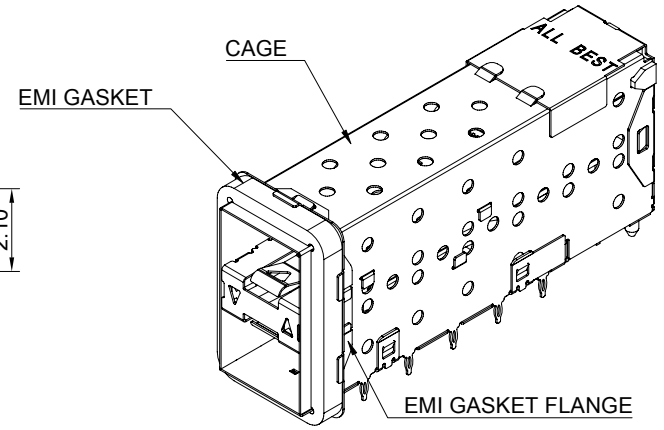
1



DETAIL A  
SCALE 5:1

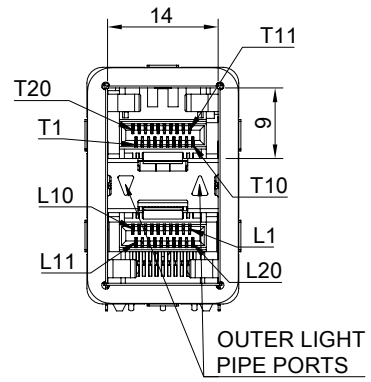
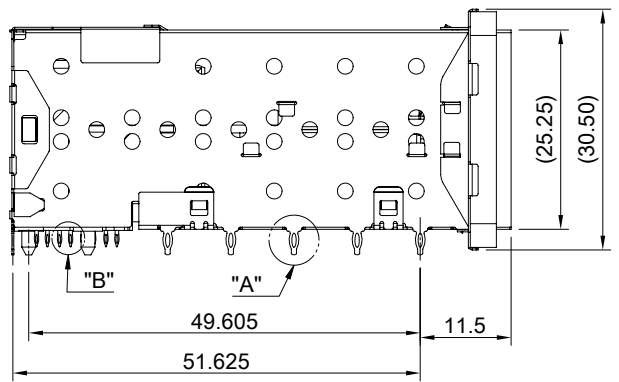


DETAIL B  
SCALE 5:1



3

3



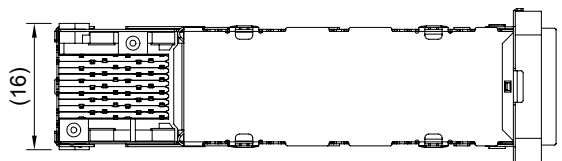
**MATERIAL**  
 CAGE: NICKEL SILVER  
 CONNECTOR: LCP 94V-0  
 COPPER ALLOY  
 EMI GASKET FLANGE: NICKEL SILVER  
 EMI GASKET: CONDUCTIVE ELASTOMER (BLACK)  
 LIGHT PIPE: PC (CLEAR)

**FINISH**  
 CONTACT: 15µ" MIN. GOLD ON MATING END;  
 30µ" MIN. MATTE TIN ON TERMINATION END;  
 ALL UNDERPLATED 50µ" MIN. NICKEL

**ELECTRICAL CHARACTERISTICS**  
 CONTACT CURRENT RATING: 0.5 AMPERE  
 VOLTAGE RATING: 30 VAC  
 CONTACT RESISTANCE: 80 mΩ MAX  
 DIELECTRIC WITHSTANDING VOLTAGE: 300VAC

6

6



7

7

THIS PRINT IS  
**PRELIMINARY**  
 UNQUALIFIED PRODUCT  
 CONTACT PRODUCT ENGINEERING  
 BEFORE USING THIS PRINT

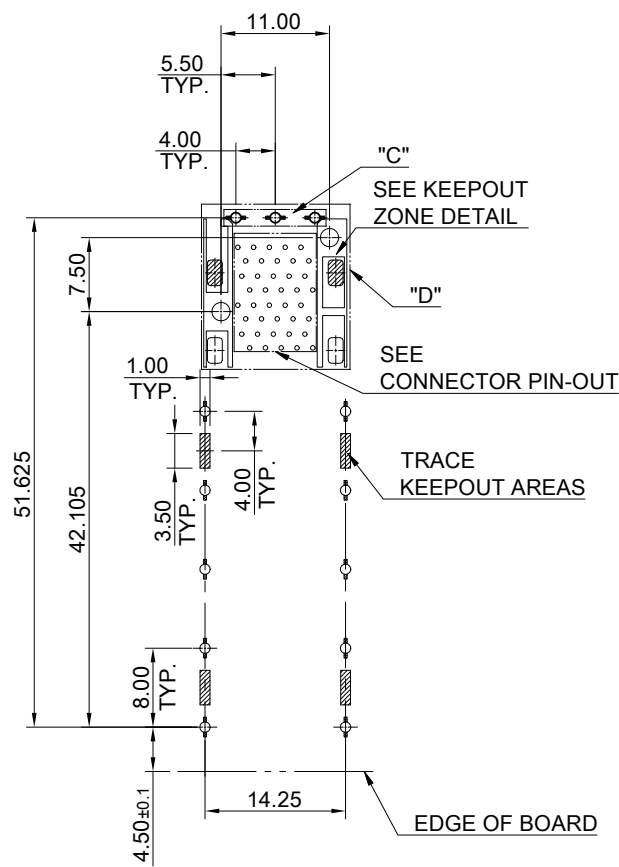


TITLE: Stacked SFP+ 2x1 ASS'Y w/ Internal Thermal Solution & Light Pipe			
DWG#: R-DP-008040-7-F-N2-33		SHEET: 1/3	REV. REF
UNIT: mm	SCALE: A4 1:1	FINISH:	
TOLERANCE: Angle: ± 1° X ± 0.25 .X ± 0.20 .XX ± 0.15		MATERIAL: RoHS Compliant	CHECKED:
THIRD ANGLE PROJECTION		APPROVED:	
DRAWN: Laura		DATE: 03/14/2024	

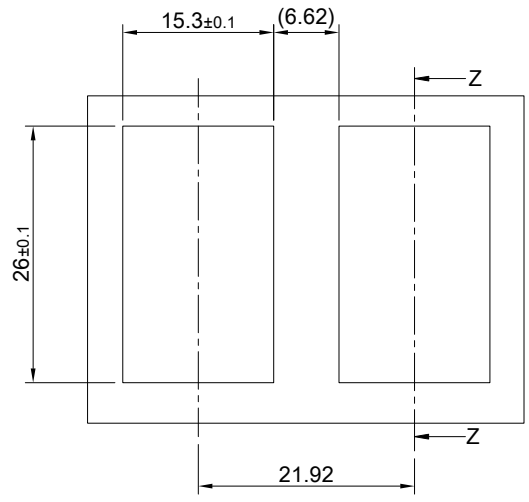
8

8

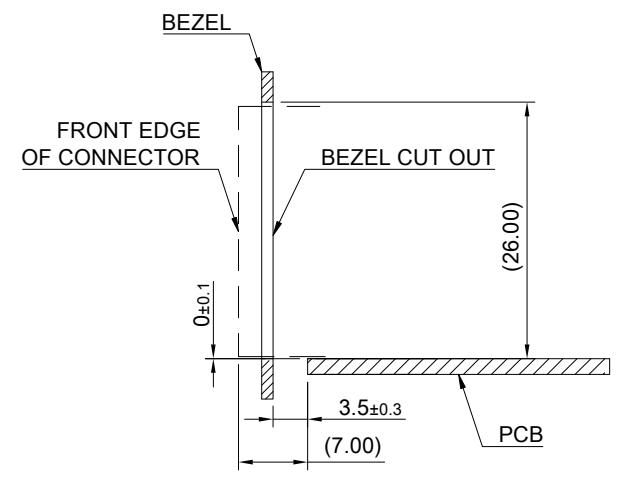
A B C D E F G H



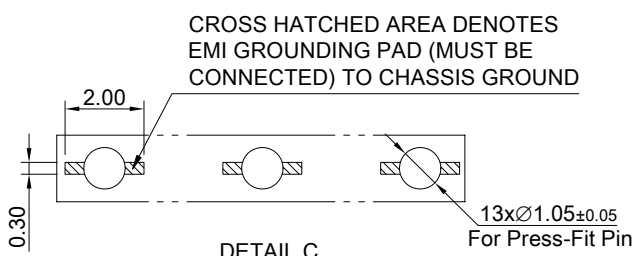
RECOMMENDED PCB LAYOUT  
 TOLERANCE: ±0.05  
 MINIMUM PCB THICKNESS OF 1.57MM



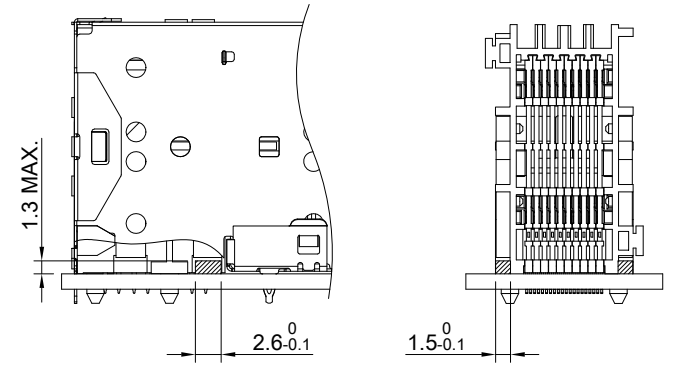
RECOMMENDED BEZEL CUT-OUT SPACING DETAIL  
 BEZEL THICKNESS 0.8~2.6MM



SECTION Z-Z



DETAIL C  
 SCALE: 4:1

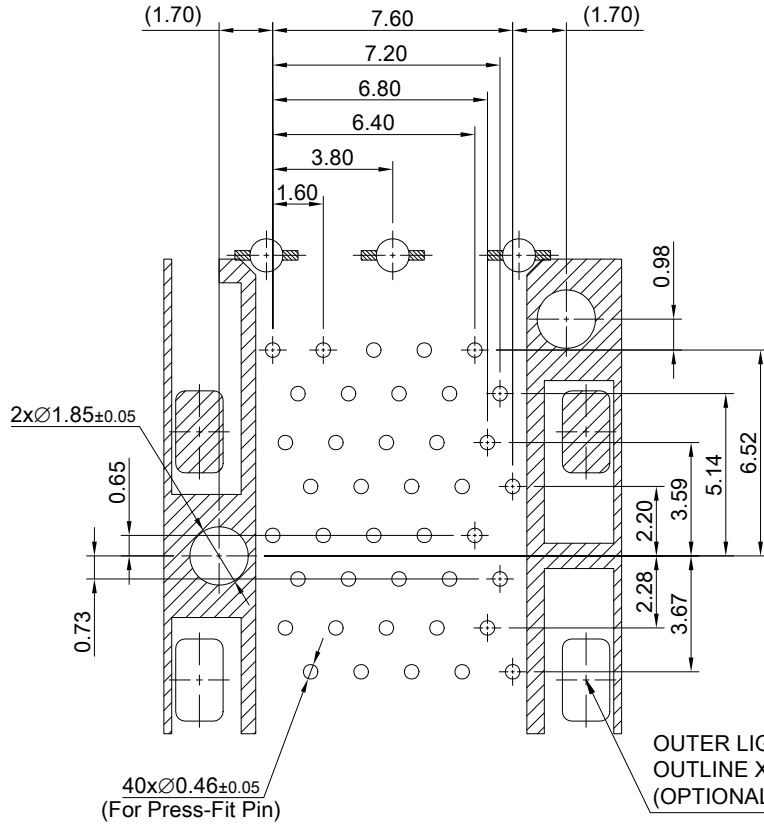


LED CLEARANCE REQUIREMENTS

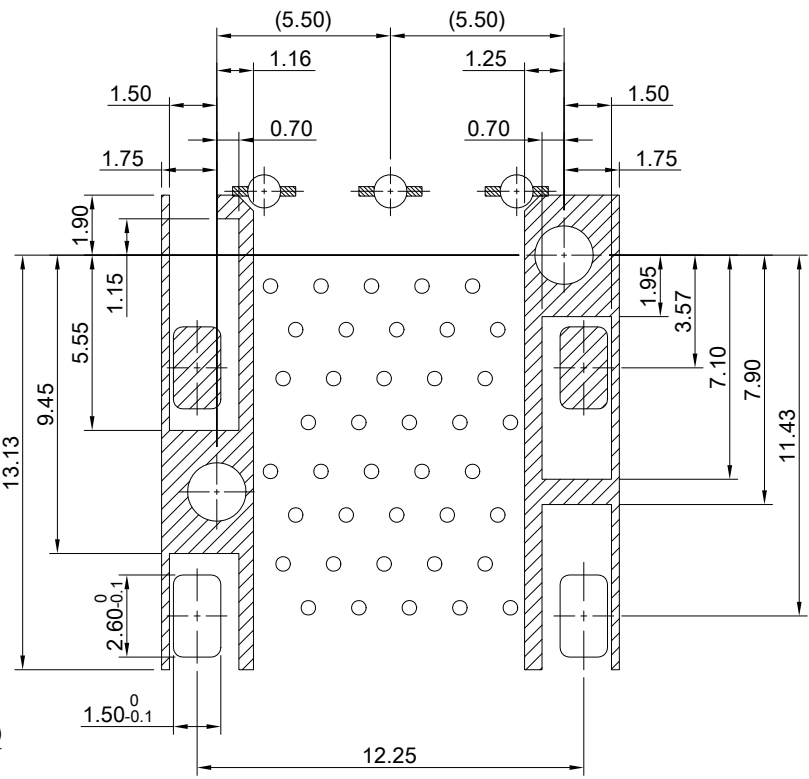
THIS PRINT IS  
**PRELIMINARY**  
 UNQUALIFIED PRODUCT  
 CONTACT PRODUCT ENGINEERING  
 BEFORE USING THIS PRINT



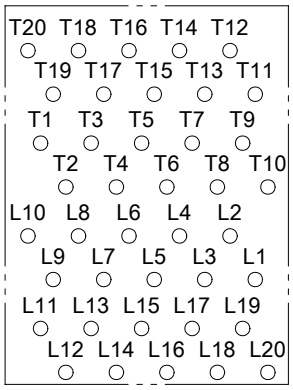
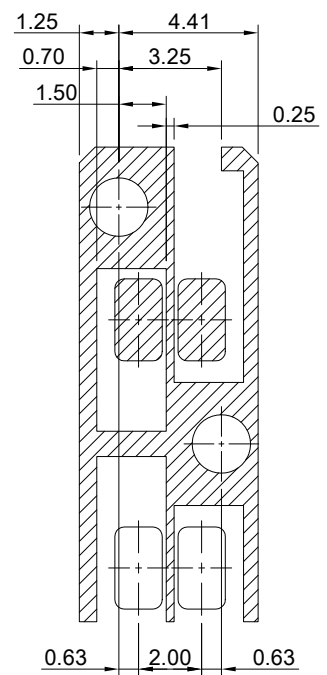
TITLE: Stacked SFP+ 2x1 ASS'Y w/ Internal Thermal Solution & Light Pipe			
DWG#: R-DP-008040-7-F-N2-33		SHEET: 2/3	REV. REF
UNIT: mm	SCALE: A4 5:4	FINISH:	
TOLERANCE: Angle: ± 1° X. ± 0.15 .X ± 0.10 .XX ± 0.05		MATERIAL: RoHS Compliant	APPROVED:
THIRD ANGLE PROJECTION		DRAWN: Laura	DATE: 03/14/2024
CHECKED:		DATE:	



DETAIL D  
TOLERANCE:  $\pm 0.05$



KEEPOUT ZONE DETAIL



CONNECTOR PIN OUT

THIS PRINT IS  
**PRELIMINARY**  
UNQUALIFIED PRODUCT  
CONTACT PRODUCT ENGINEERING  
BEFORE USING THIS PRINT



TITLE: Stacked SFP+ 2x1 ASS'Y w/ Internal Thermal Solution & Light Pipe			
DWG#: R-DP-008040-7-F-N2-33		SHEET: 3/3	REV. REF
UNIT: mm	SCALE: A4 4:1	FINISH:	
TOLERANCE: Angle: $\pm 1^\circ$ X: $\pm 0.15$ .X: $\pm 0.10$ .XX: $\pm 0.05$		MATERIAL: RoHS Compliant	APPROVED:
THIRD ANGLE PROJECTION		DRAWN: Laura	DATE: 03/14/2024
CHECKED:		APPROVED:	