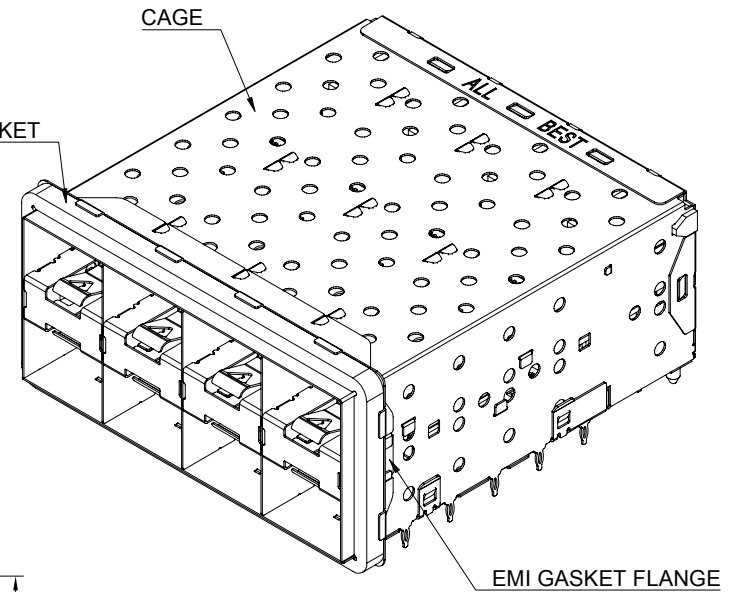
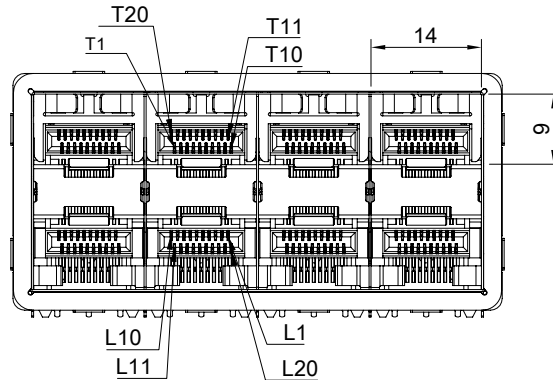


DETAIL A
SCALE 5:1

DETAIL B
SCALE 5:1



MATERIAL
 CAGE: NICKEL SILVER
 CONNECTOR: LCP 94V-0
 COPPER ALLOY
 EMI GASKET FLANGE: NICKEL SILVER
 EMI GASKET: CONDUCTIVE ELASTOMER,(BLACK)

FINISH
 CONTACT: 15μ" MIN. GOLD ON MATING END;
 30μ" MIN. MATTE TIN ON TERMINATION END;
 ALL UNDERPLATED 50μ" MIN. NICKEL

ELECTRICAL CHARACTERISTICS
 CONTACT CURRENT RATING: 0.5 AMPERE
 VOLTAGE RATING: 30 VAC
 CONTACT RESISTANCE: 80 mΩ MAX
 DIELECTRIC WITHSTANDING VOLTAGE: 300 VAC

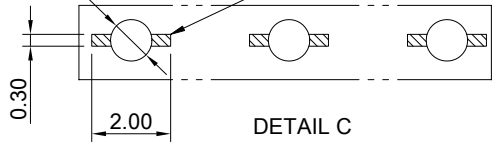
THIS PRINT IS
PRELIMINARY
 UNQUALIFIED PRODUCT
 CONTACT PRODUCT ENGINEERING
 BEFORE USING THIS PRINT



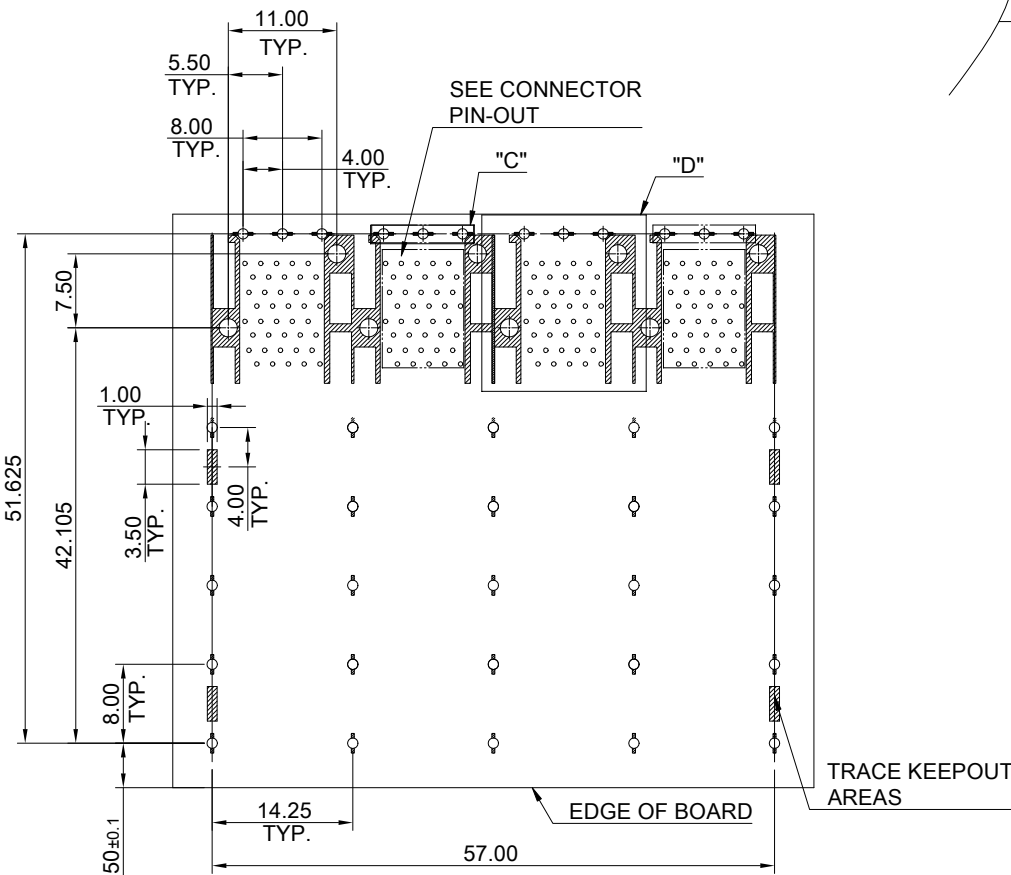
TITLE: Stacked SFP+ 2x4 ASS'Y w/ Internal Thermal Solution			
DWG#: R-OP-008160-6-F-N2-06		SHEET: 1/3	REV. REF
UNIT: mm	SCALE: A4 1:1	FINISH:	
TOLERANCE: Angle: ± 1°		MATERIAL: RoHS Compliant	
X ± 0.15 .X ± 0.10 .XX ± 0.05		DRAWN: Laura	
THIRD ANGLE PROJECTION		APPROVED:	
		DATE: 03/21/2024	

37xØ1.05±0.05
For Press-Fit Pin

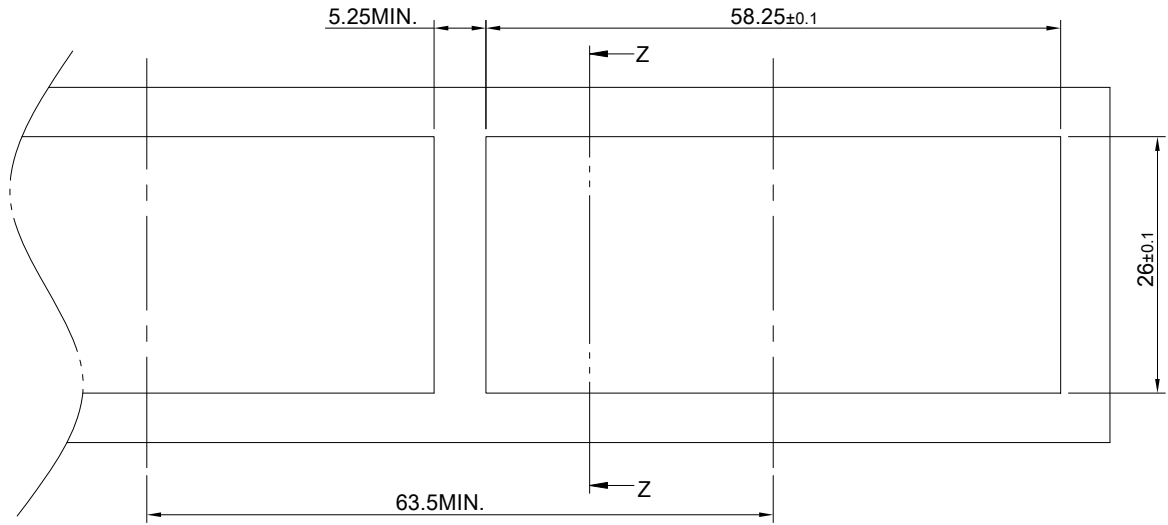
CROSS HATCHED AREA DENOTES EMI
GROUNDING PAD (MUST BE CONNECTED
TO CHASSIS GROUND)



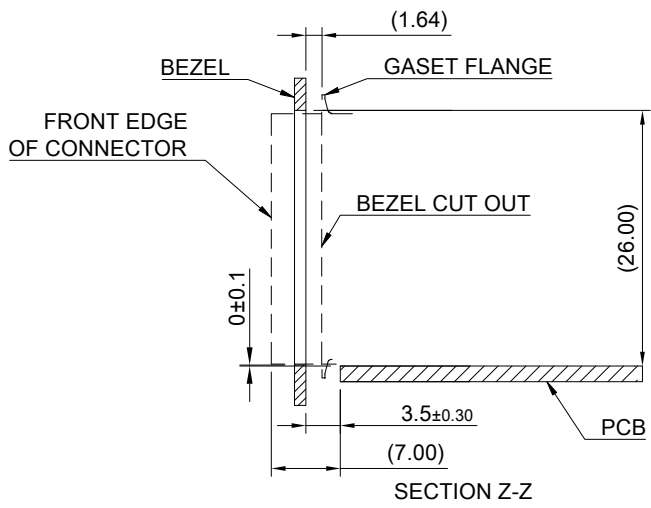
DETAIL C
SCALE 4:1



RECOMMENDED PCB LAYOUT
TOLERANCE: ±0.05
MINIMUM PCB THICKNESS OF 1.57MM



RECOMMENDED CUT-OUT SPACING DETAIL
BEZEL THICKNESS 0.8~2.6MM

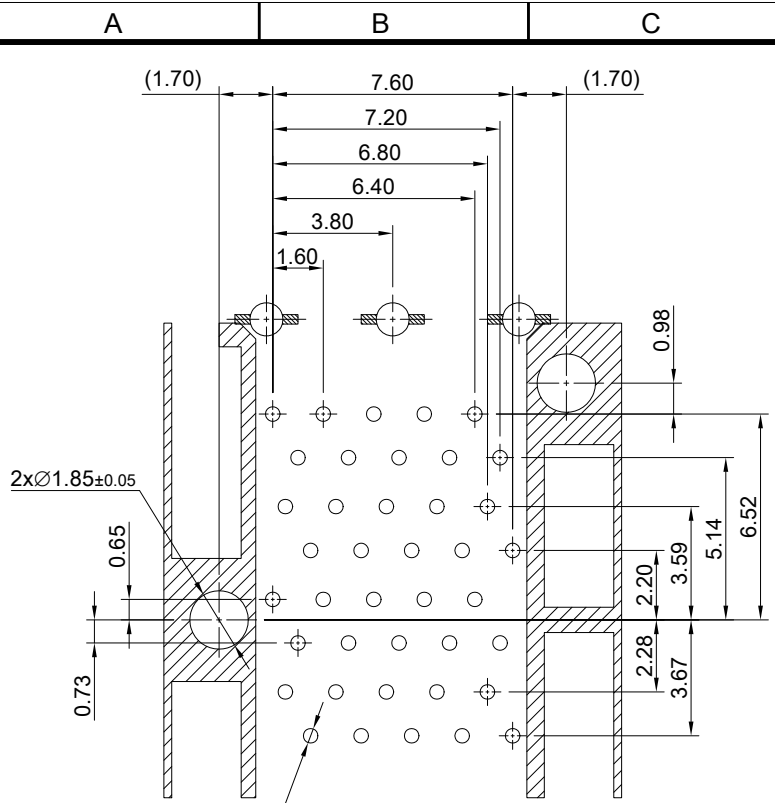


SECTION Z-Z

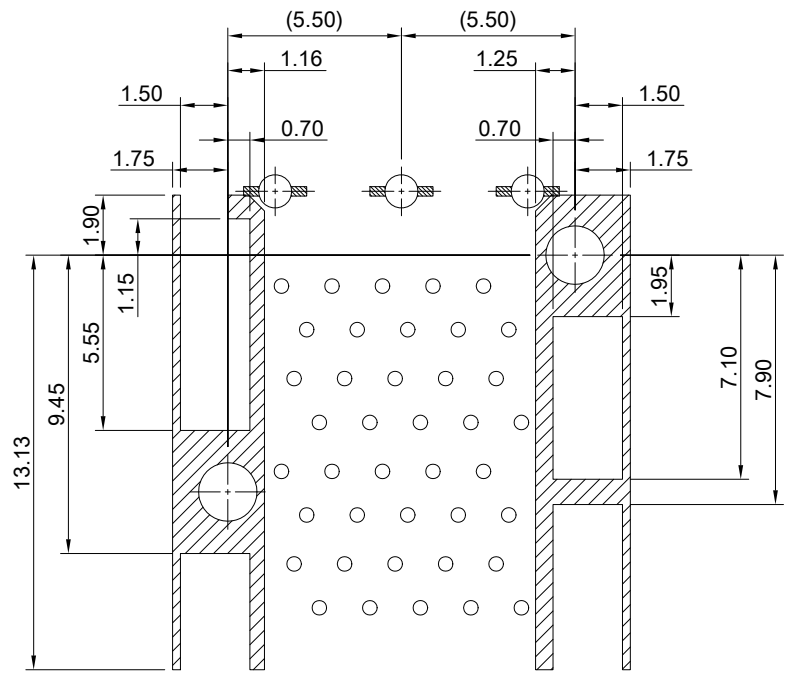
THIS PRINT IS
PRELIMINARY
UNQUALIFIED PRODUCT
CONTACT PRODUCT ENGINEERING
BEFORE USING THIS PRINT



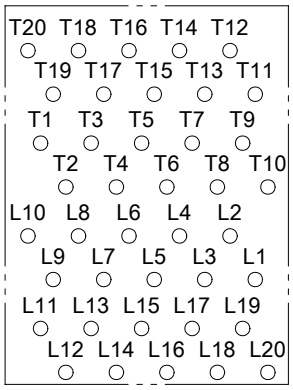
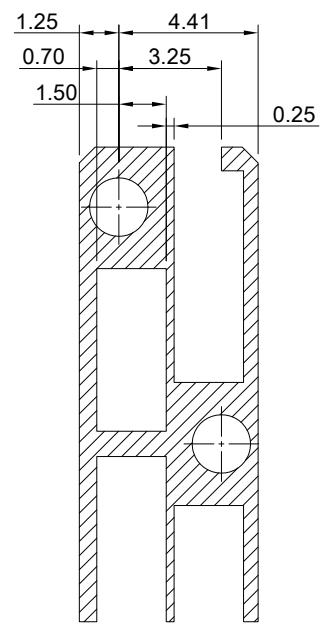
TITLE: Stacked SFP+ 2x4 ASS'Y w/ Internal Thermal Solution			
DWG#: R-OP-008160-6-F-N2-06		SHEET: 2/3	REV. REF
UNIT: mm	SCALE: A4 5:4	FINISH:	CHECKED:
TOLERANCE: Angle: ± 1° X.± 0.15 .X± 0.10 .XX± 0.05		MATERIAL: RoHS Compliant	APPROVED:
THIRD ANGLE PROJECTION		DRAWN: Laura	DATE: 03/21/2024



DETAIL D
TOLERANCE: ±0.05



KEEPOUT ZONE DETAIL



CONNECTOR PIN OUT

THIS PRINT IS
PRELIMINARY
UNQUALIFIED PRODUCT
CONTACT PRODUCT ENGINEERING
BEFORE USING THIS PRINT



TITLE: Stacked SFP+ 2x4 ASS'Y w/ Internal Thermal Solution			
DWG#: R-OP-008160-6-F-N2-06		SHEET: 3/3	REV. REF
UNIT: mm	SCALE: A4 4:1	FINISH:	CHECKED:
TOLERANCE: Angle: ± 1° X.± 0.15 .X± 0.10 .XX± 0.05		MATERIAL: RoHS Compliant	APPROVED:
THIRD ANGLE PROJECTION		DRAWN: Laura	DATE: 03/21/2024