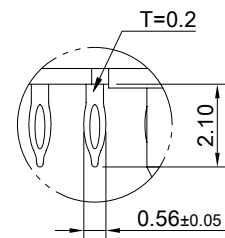
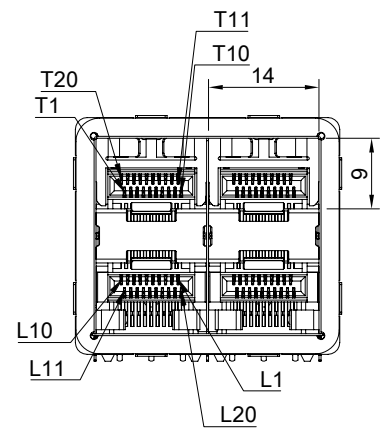
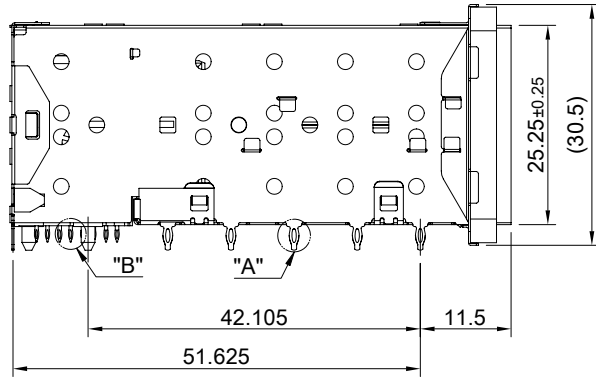
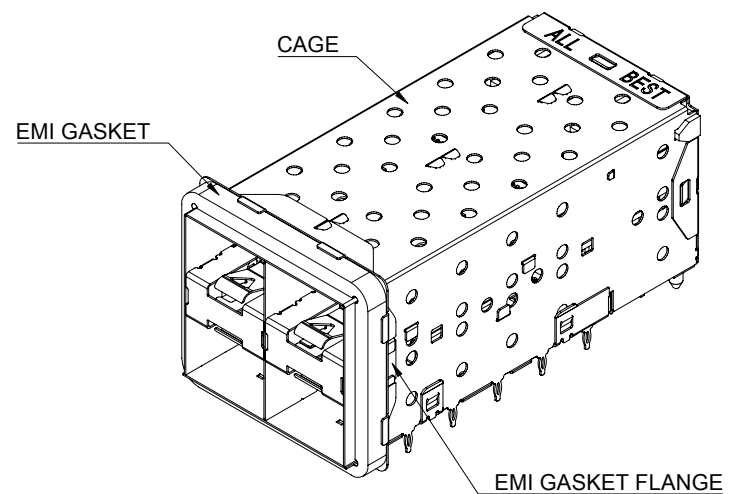


DETAIL A
SCALE 5:1

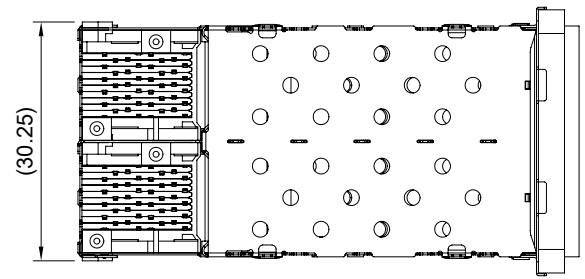


DETAIL B
SCALE 5:1



MATERIAL
 CAGE: NICKEL SILVER
 CONNECTOR: LCP 94V-0
 COPPER ALLOY
 EMI GASKET FLANGE: NICKEL SILVER
 EMI GASKET: CONDUCTIVE ELASTOMER,(BLACK)
 FINISH
 CONTACT: 15μ" MIN. GOLD ON MATING END;
 30μ" MIN. MATTE TIN ON TERMINATION END;
 ALL UNDERPLATED 50μ" MIN. NICKEL

ELECTRICAL CHARACTERISTICS
 CONTACT CURRENT RATING: 0.5 AMPERE
 VOLTAGE RATING: 30 VAC
 CONTACT RESISTANCE: 80 mΩ MAX
 DIELECTRIC WITHSTANDING VOLTAGE: 300 VAC



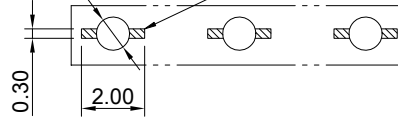
THIS PRINT IS
PRELIMINARY
 UNQUALIFIED PRODUCT
 CONTACT PRODUCT ENGINEERING
 BEFORE USING THIS PRINT



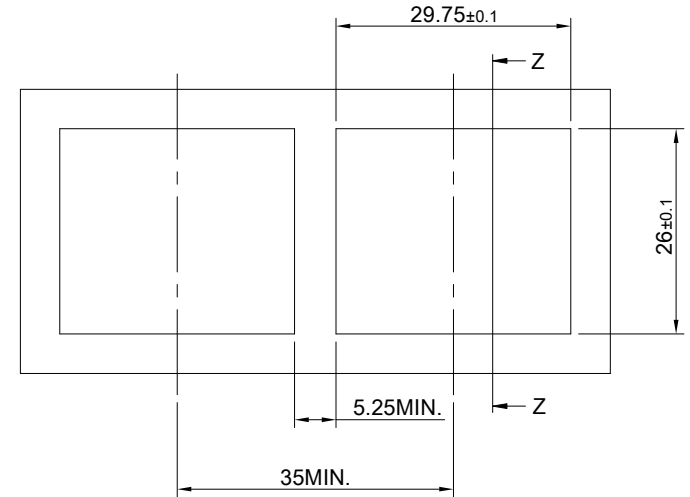
TITLE: Stacked SFP+ 2x2 ASS'Y w/ Internal Thermal Solution			
DWG#: R-OP-008080-6-F-N2-06		SHEET: 1/3	REV. REF
UNIT: mm	SCALE: A4 1:1	FINISH:	
TOLERANCE: Angle:± 1° X.±0.25 .X±0.20 .XX±0.15		MATERIAL: RoHS Compliant	APPROVED:
THIRD ANGLE PROJECTION		DRAWN: Laura	DATE: 03/15/2024
CHECKED:		DATE:	

21xØ1.05±0.05
For Press-Fit Pin

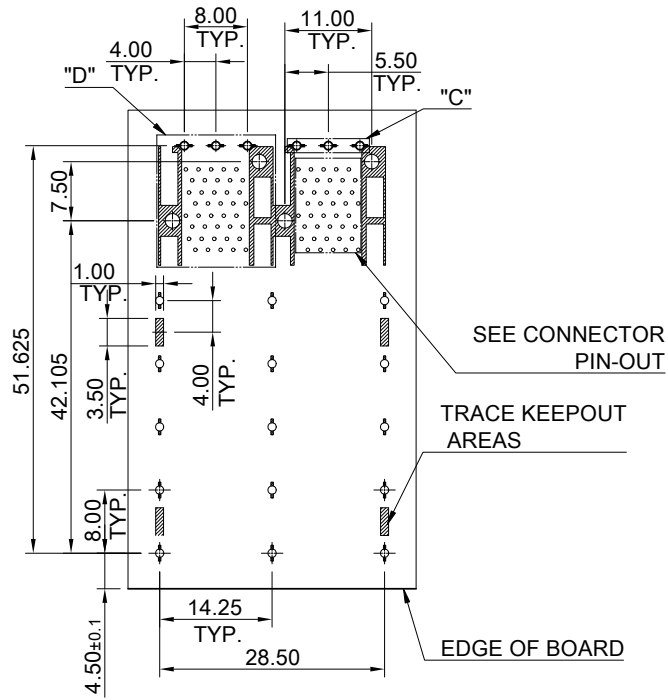
CROSS HATCHED AREA DENOTES EMI
GROUNDING PAD (MUST BE CONNECTED)
TO CHASSIS GROUND



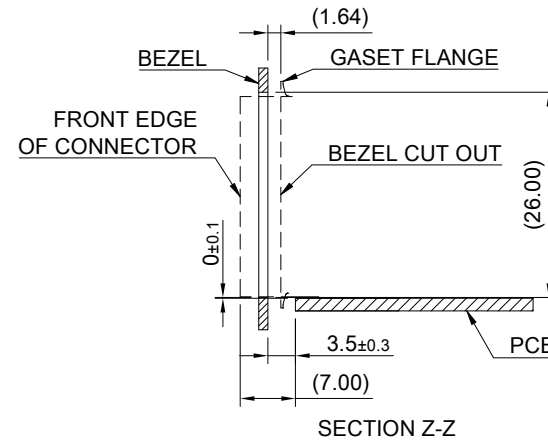
DETAIL C
SCALE 4:1



RECOMMENDED BEZEL CUT-OUT SPACING DETAIL
BEZEL THICKNESS 0.8~2.6MM



RECOMMENDED PCB LAYOUT
TOLERANCE: ± 0.05
MINIMUM PCB THICKNESS OF 1.57MM



SECTION Z-Z

THIS PRINT IS
PRELIMINARY
UNQUALIFIED PRODUCT
CONTACT PRODUCT ENGINEERING
BEFORE USING THIS PRINT



TITLE: Stacked SFP+ 2x2 ASS'Y w/ Internal Thermal Solution

DWG#: R-OP-008080-6-F-N2-06

SHEET: 2/3
REV. REF

UNIT: mm

SCALE: A4 1:1

FINISH:

CHECKED:

THIRD ANGLE PROJECTION

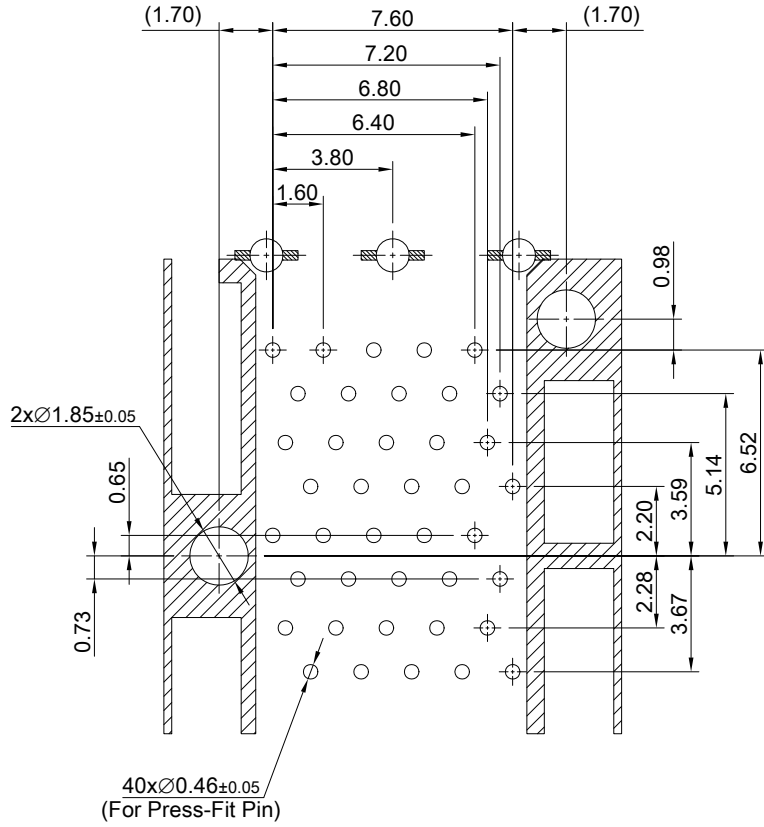
MATERIAL: RoHS Compliant

APPROVED:

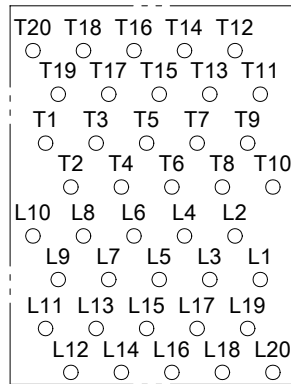
TOLERANCE: Angle: ± 1°
X: ± 0.15 .X: ± 0.10 .XX: ± 0.05

DRAWN: Laura

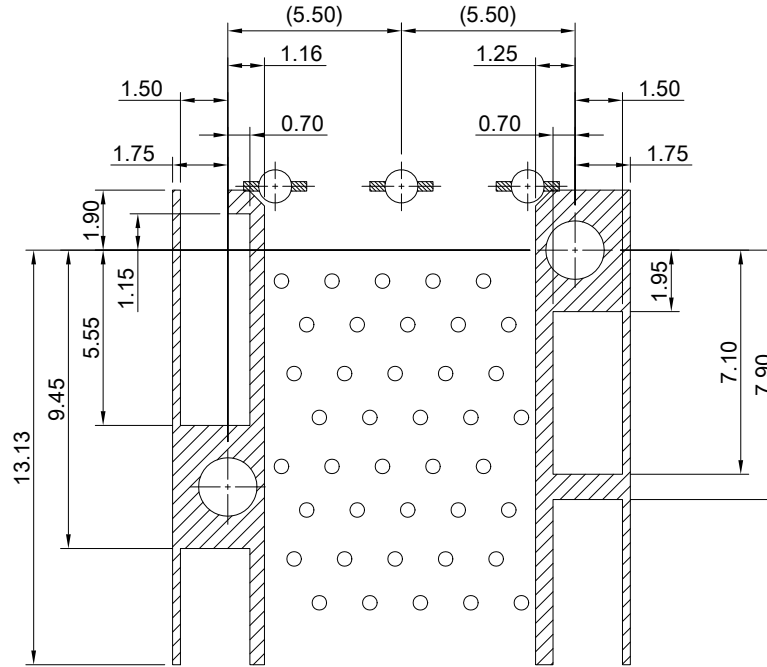
DATE: 03/15/2024



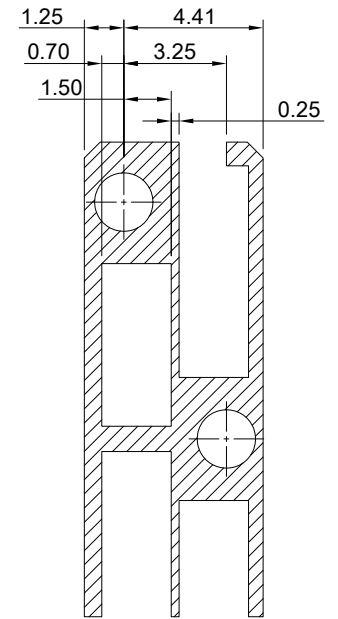
DETAIL D
TOLERANCE: ±0.05



CONNECTOR PIN OUT



KEEPOUT ZONE DETAIL



THIS PRINT IS
PRELIMINARY
UNQUALIFIED PRODUCT
CONTACT PRODUCT ENGINEERING
BEFORE USING THIS PRINT



ALL BEST
ELECTRONICS
CO., LTD.

TITLE: Stacked SFP+ 2x2 ASS'Y w/ Internal Thermal Solution

DWG#: R-OP-008080-6-F-N2-06

SHEET: 3/3
REV. REF

UNIT: mm

SCALE: A4 4:1

FINISH:

CHECKED:

THIRD ANGLE PROJECTION

MATERIAL: RoHS Compliant

APPROVED:

TOLERANCE: Angle: ± 1°
X. ± 0.15 .X ± 0.10 .XX ± 0.05

DRAWN: Laura

DATE: 03/15/2024