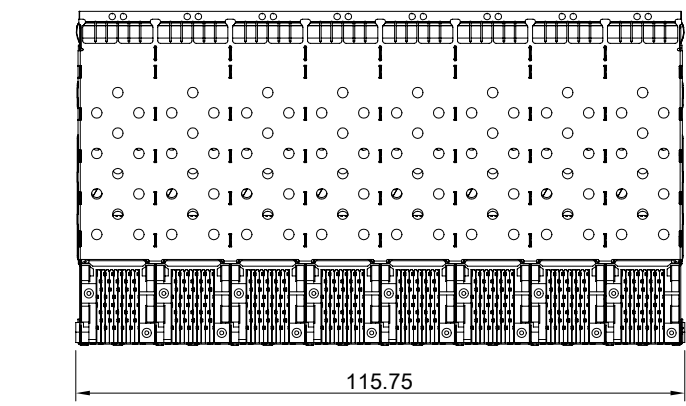
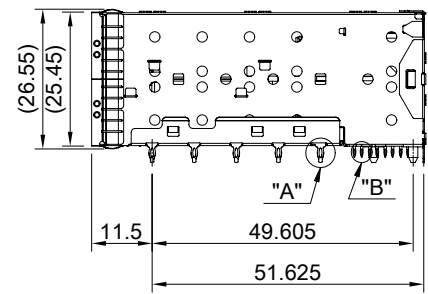
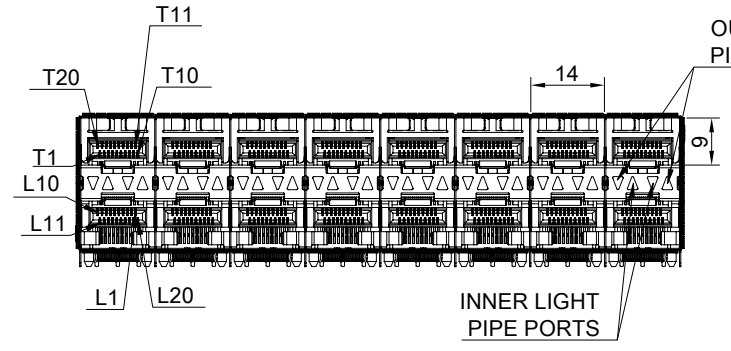
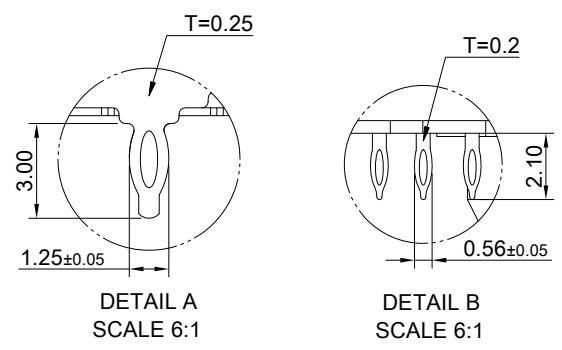
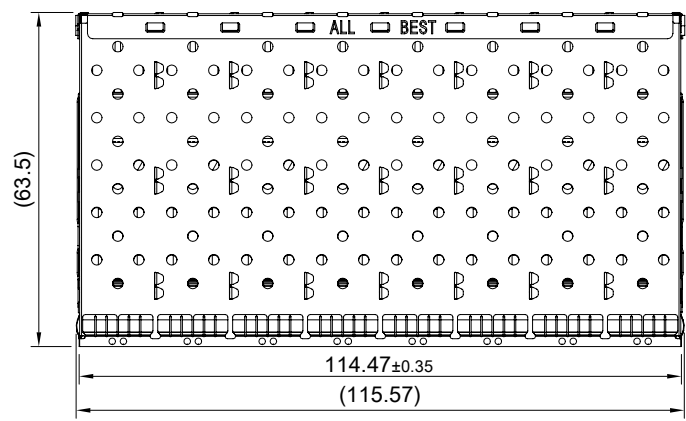


**MATERIAL**  
 CAGE: NICKEL SILVER  
 CONNECTOR: LCP 94V-0  
 COPPER ALLOY  
 EMI SPRING: STAINLESS STEEL  
 LIGHT PIPE: PC (CLEAR)

**FINISH**  
 CONTACT: 15µ" MIN. GOLD ON MATING END;  
 30µ" MIN. MATTE TIN ON TERMINATION END;  
 ALL UNDERPLATED 50µ" MIN. NICKEL

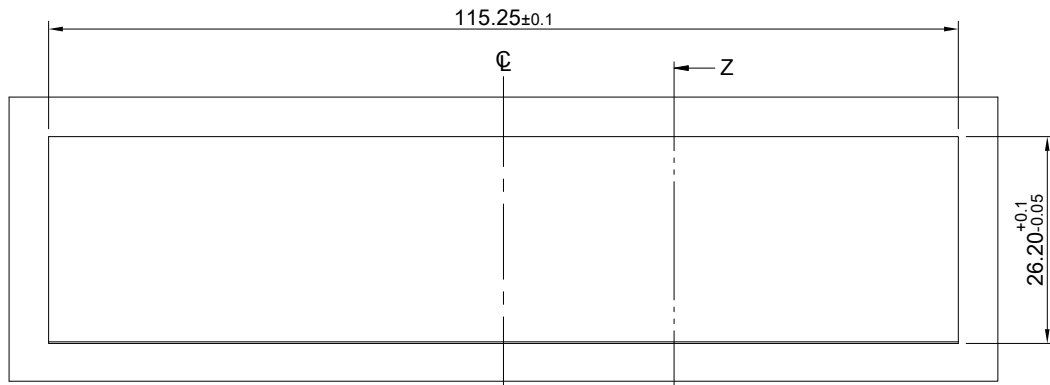
**ELECTRICAL CHARACTERISTICS**  
 CONTACT CURRENT RATING: 0.5 AMPERE  
 VOLTAGE RATING: 30 VAC  
 CONTACT RESISTANCE: 80 mΩ MAX.  
 DIELECTRIC WITHSTANDING VOLTAGE: 300VAC



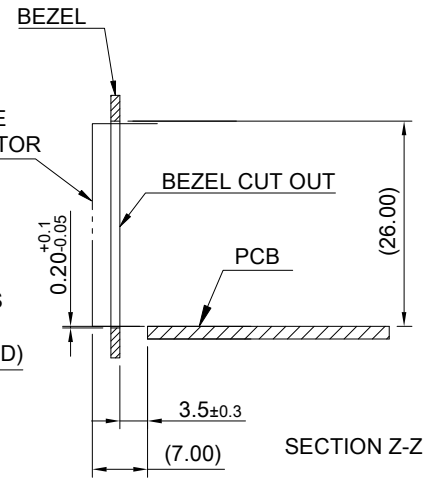
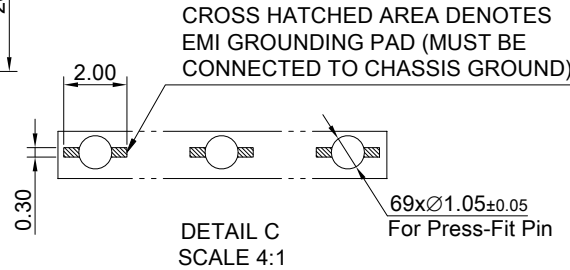
THIS PRINT IS  
**PRELIMINARY**  
 UNQUALIFIED PRODUCT  
 CONTACT PRODUCT ENGINEERING  
 BEFORE USING THIS PRINT



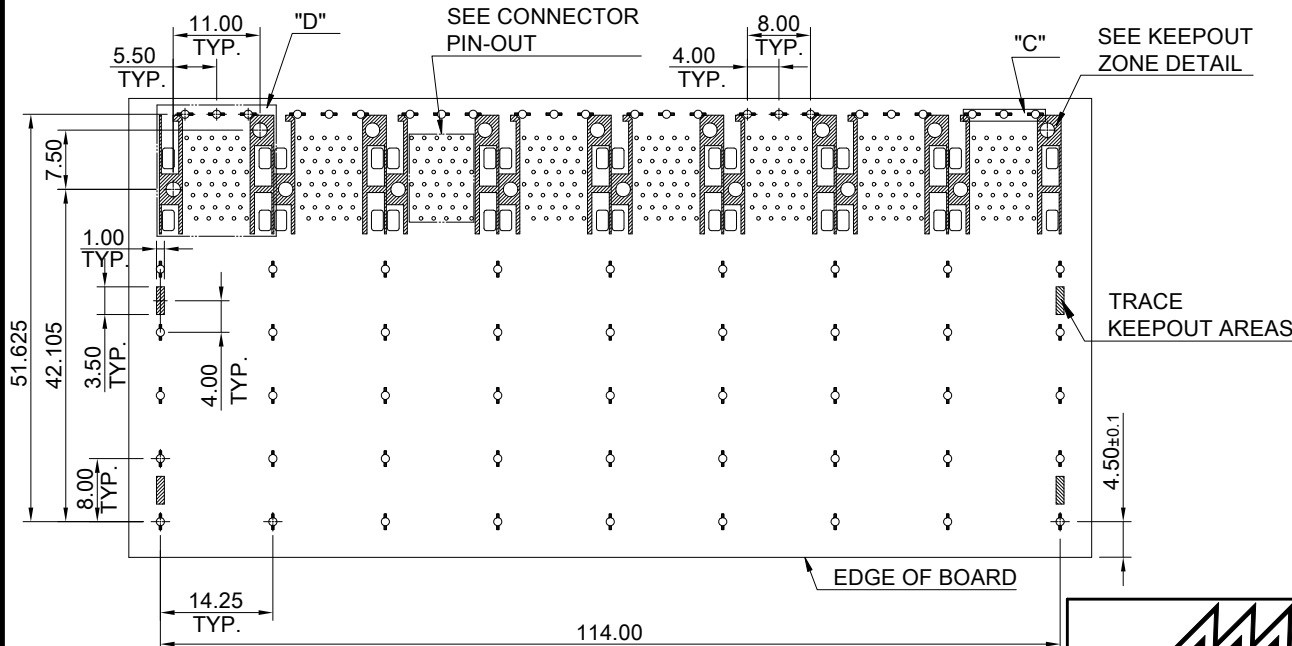
<b>TITLE:</b> Stacked SFP+ 2X8 ASS'Y w/ Internal Thermal Solution & Light Pipe			
<b>DWG#:</b> R-OP-008320-7P-F-N2-62		<b>SHEET:</b> 1/3	<b>REV.:</b> REF
<b>UNIT:</b> mm	<b>SCALE:</b> A4 2:3	<b>FINISH:</b>	
<b>TOLERANCE:</b> Angle: ± 1° X ± 0.25 .X ± 0.20 .XX ± 0.15		<b>MATERIAL:</b> RoHS Compliant	<b>CHECKED:</b>
<b>THIRD ANGLE PROJECTION</b>		<b>DRAWN:</b> Laura	<b>APPROVED:</b>
		<b>DATE:</b> 03/27/2024	



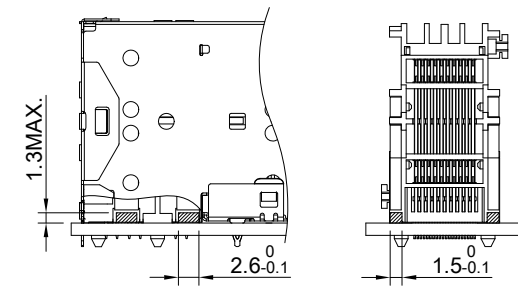
RECOMMENDED BEZEL CUT-OUT SPACING DETAIL  
BEZEL THICKNESS 0.8-2.6MM



SECTION Z-Z




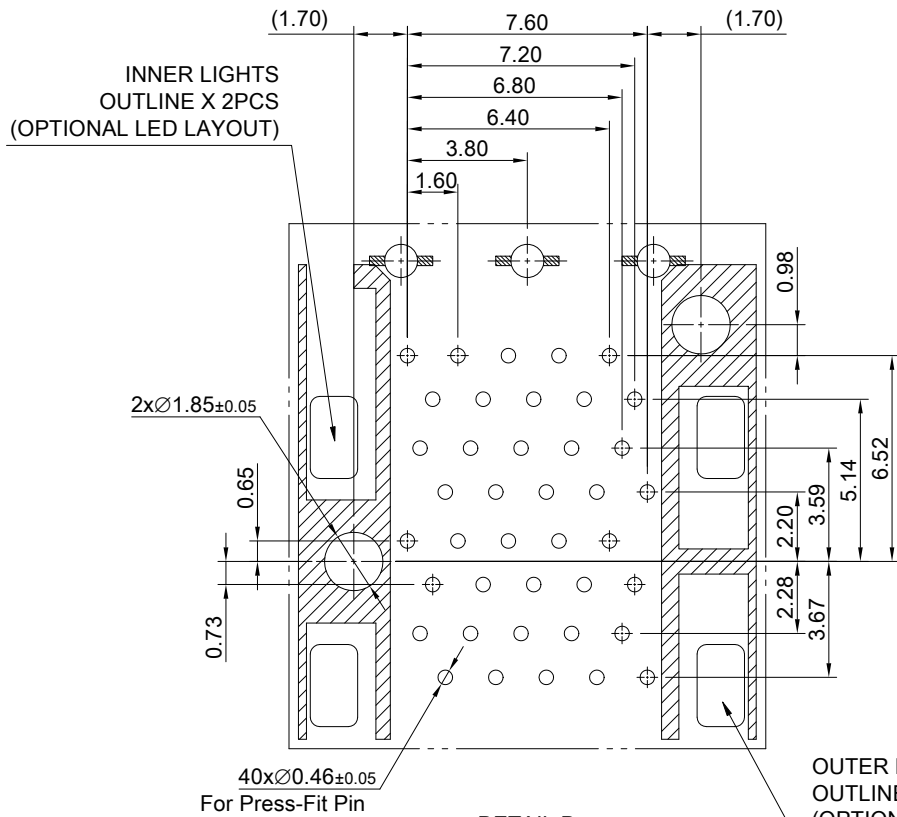
RECOMMENDED PCB LAYOUT-COMPONENT SIDE  
TOLERANCE: ±0.05  
RECOMMENDED PCB THICKNESS- 1.57 MM  
THE ENTIRE AREA OF THE KEEPOUT AREA FOR COMPONENTS  
(OTHER THAN LIGHT PIPE LED'S)  
THIS AREA IS INDICATED BY THE DASHED LINE



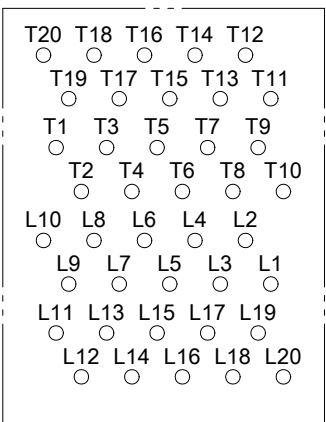
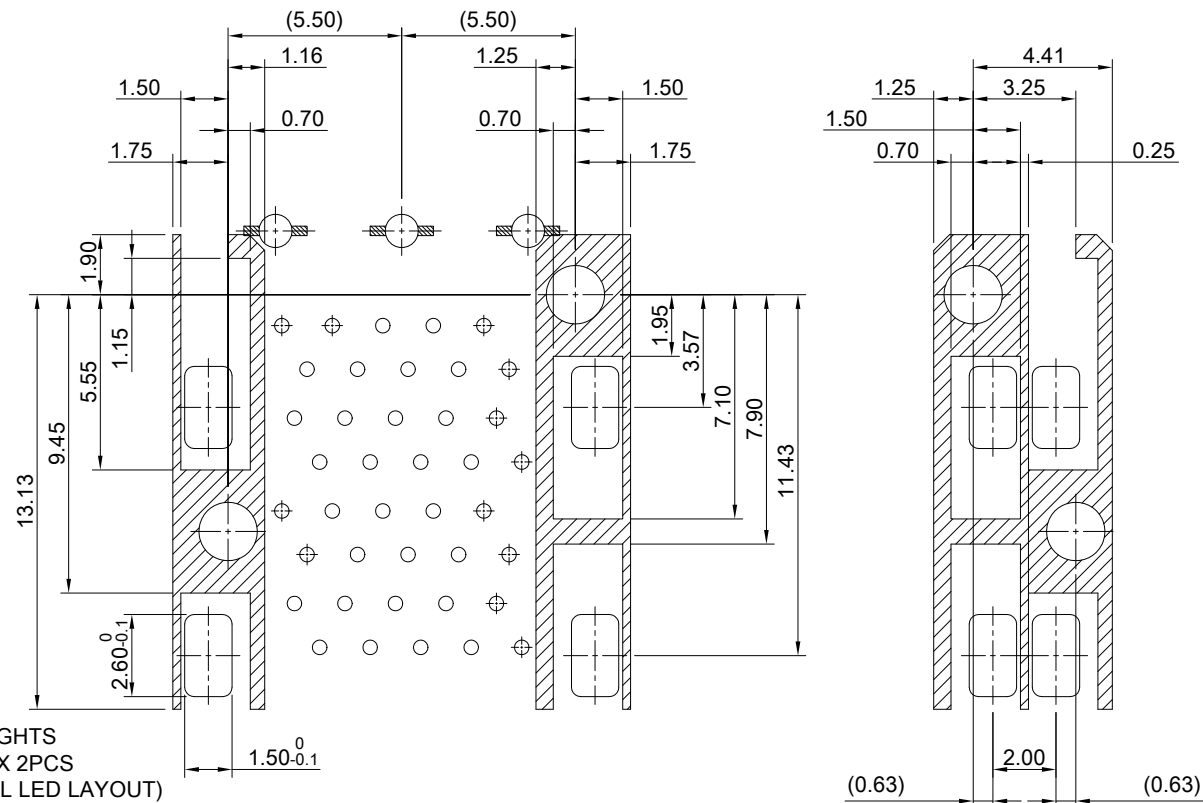
LED CLEARANCE REQUIREMENTS

THIS PRINT IS  
**PRELIMINARY**  
UNQUALIFIED PRODUCT  
CONTACT PRODUCT ENGINEERING  
BEFORE USING THIS PRINT

		TITLE: Stacked SFP+ 2X8 ASS'Y w/ Internal Thermal Solution & Light Pipe	
		DWG#: R-OP-008320-7P-F-N2-62	
UNIT: mm	SCALE: A4 1:1	FINISH:	CHECKED:
TOLERANCE: $X \pm 0.15$ . $X \pm 0.10$ . $XX \pm 0.05$		MATERIAL: RoHS Compliant	APPROVED:
THIRD ANGLE PROJECTION		DRAWN: Laura	DATE: 03/27/2024
SHEET: 2/3		REV. REF	



DETAIL D  
TOLERANCE:  $\pm 0.05$



THIS PRINT IS  
**PRELIMINARY**  
UNQUALIFIED PRODUCT  
CONTACT PRODUCT ENGINEERING  
BEFORE USING THIS PRINT

<p><b>ALL BEST</b> ELECTRONICS CO., LTD.</p>	TITLE: Stacked SFP+ 2X8 ASS'Y w/ Internal Thermal Solution & Light Pipe		SHEET: 3/3	REV. REF
	DWG#: R-OP-008320-7P-F-N2-62		CHECKED:	
UNIT: mm	SCALE: A4 4:1	FINISH:	APPROVED:	
THIRD ANGLE PROJECTION	MATERIAL: RoHS Compliant		DATE: 03/27/2024	
TOLERANCE: Angle: $\pm 1^\circ$ X: $\pm 0.15$ .X: $\pm 0.10$ .XX: $\pm 0.05$		DRAWN: Larua		