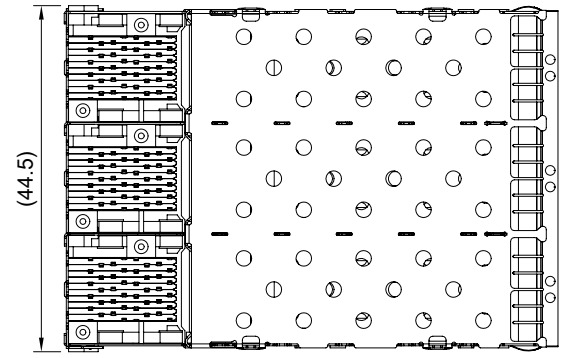


MATERIAL
 CAGE: NICKEL SILVER
 LIGHT PIPE: PC (CLEAR)
 CONNECTOR: LCP 94V-0
 COPPER ALLOY
 EMI SPRING: STAINLESS STEEL

FINISH
 CONTACT: 15µ" MIN. GOLD ON MATING END;
 120µ" MIN. MATTE TIN ON TERMINATION END;
 ALL UNDERPLATED 50µ" MIN. NICKEL

ELECTRICAL CHARACTERISTICS
 CONTACT CURRENT RATING: 0.5 AMPERE
 VOLTAGE RATING: 30 VAC
 CONTACT RESISTANCE: 80 mΩ MAX.
 DIELECTRIC WITHSTANDING VOLTAGE: 300 VAC

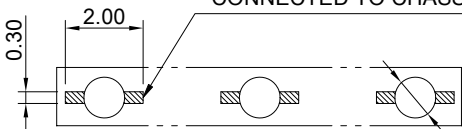


	TITLE: Stacked SFP+ 2X3 ASS'Y w/ Thermal Solution & Light Pipe		
	DWG#: R-OP-008120-7-F-N2-62		SHEET: 1/3
	UNIT: mm	SCALE: A4 1:1	REV. A
	THIRD ANGLE PROJECTION		CHECKED: Gary Kang
TOLERANCE: Angle: ± 1°		MATERIAL: RoHS Compliant	APPROVED: George Yang
X: ± 0.25 .X: ± 0.20 .XX: ± 0.15		DRAWN: Boris	DATE: 06/03/2020

A B C D E F G H

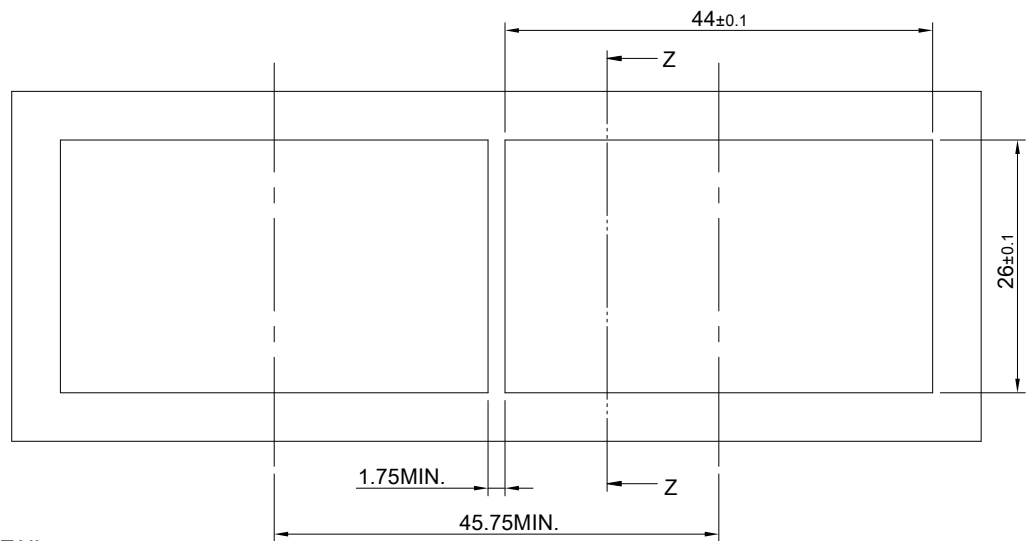
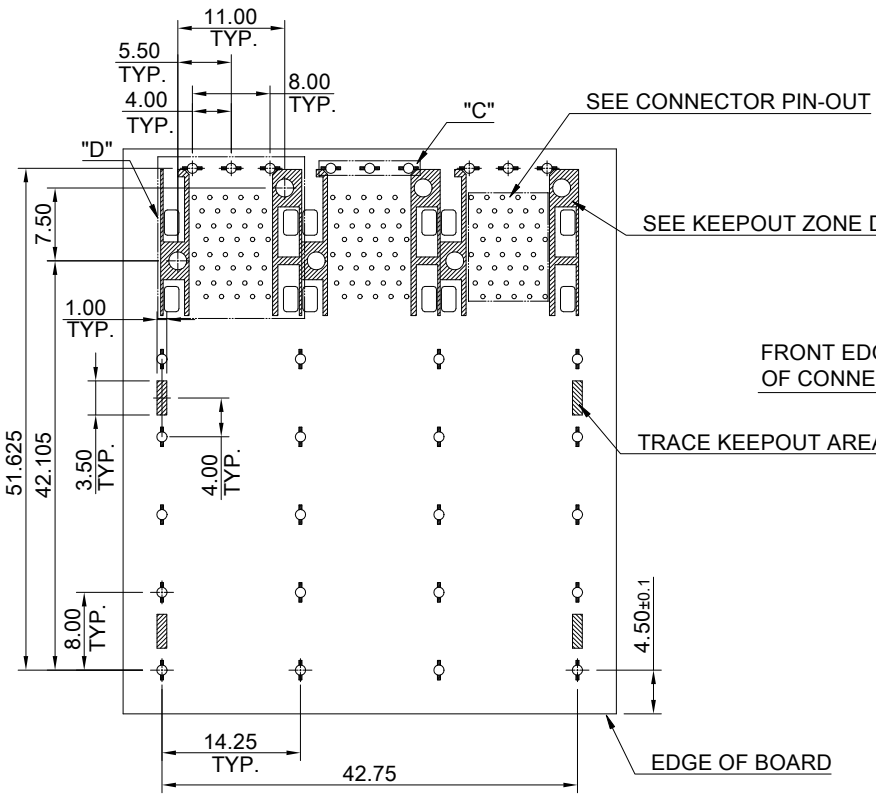
1
2
3
4
5
6
7
8

CROSS HATCHED AREA DENOTES EMI GROUNDING PAD (MUST BE CONNECTED TO CHASSIS GROUND)

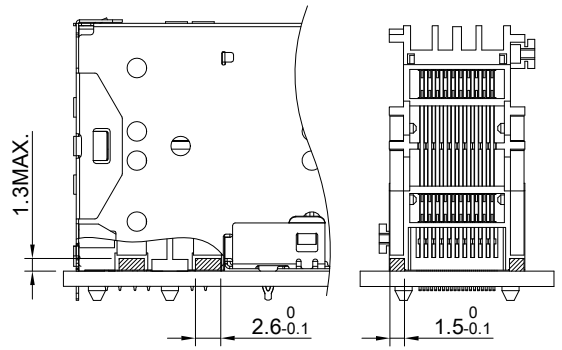
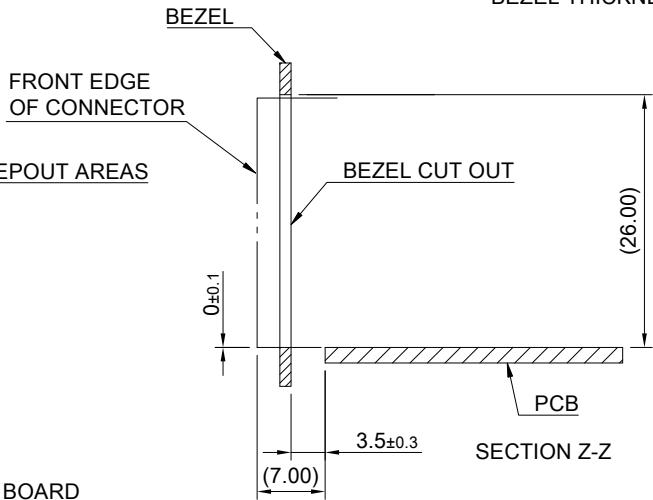


DETAIL C
SCALE 4:1

29xØ1.05±0.05
For Press-Fit Pin



RECOMMENDED BEZEL CUT-OUT SPACING DETAIL
BEZEL THICKNESS 0.8~2.6MM



LED CLEARANCE REQUIREMENTS

RECOMMENDED PCB LAYOUT-COMPONENT SIDE
TOLERANCE: ±0.05
MINIMUM PCB THICKNESS - 1.57 MM
THE ENTIRE AREA OF THE CONNECTOR FOOTPRINT
TO BE CONSIDERED THE KEEP OUT AREA FOR COMPONENTS
(OTHER THAN LIGHT PIPE LED'S)
THIS AREA IS INDICATED BY THE DASHED LINE



TITLE: Stacked SFP+ 2X3 ASS'Y w/ Thermal Solution & Light Pipe

DWG#: R-OP-008120-7-F-N2-62

SHEET: 2/3
REV. A

UNIT: mm
SCALE: A4 5:4

FINISH: MATERIAL: RoHS Compliant

CHECKED: Gary Kang

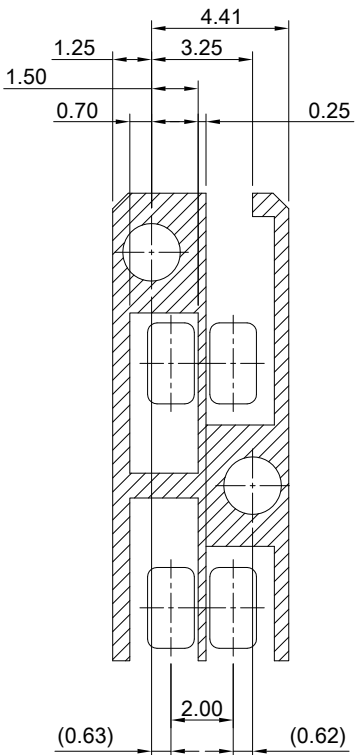
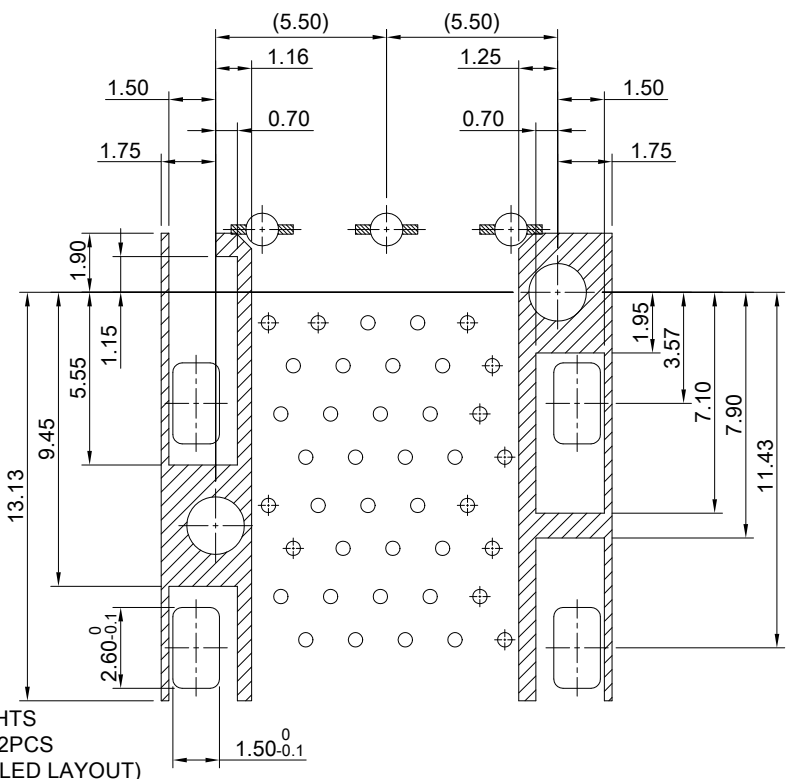
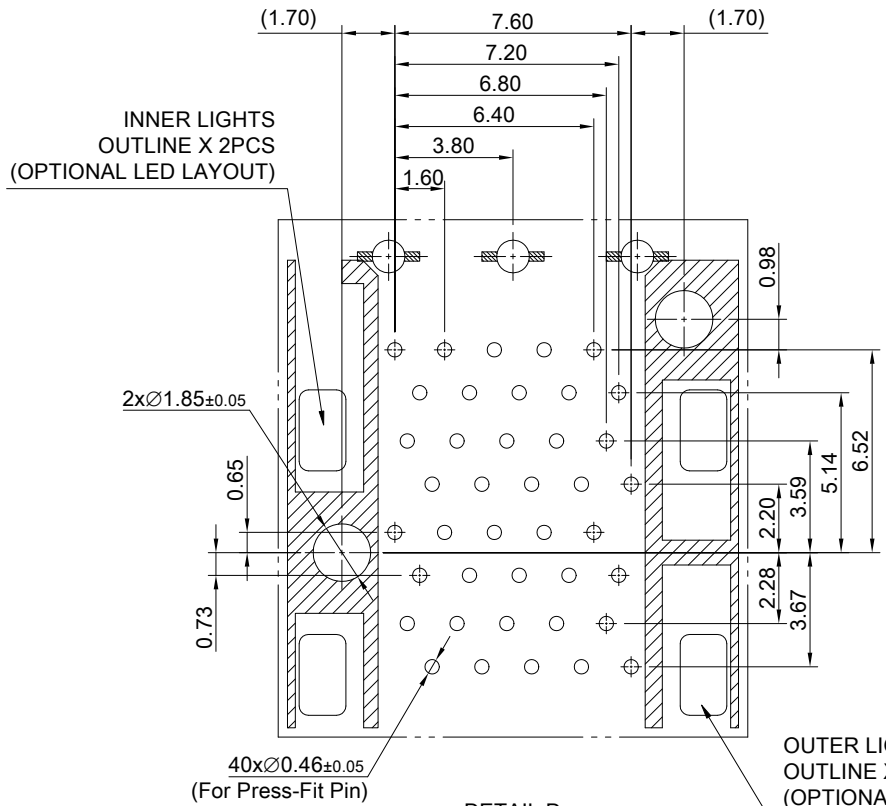
THIRD ANGLE PROJECTION
TOLERANCE: Angle: ± 1°
X: ± 0.15 .X: ± 0.10 .XX: ± 0.05

DRAWN: Boris

APPROVED: George Yang

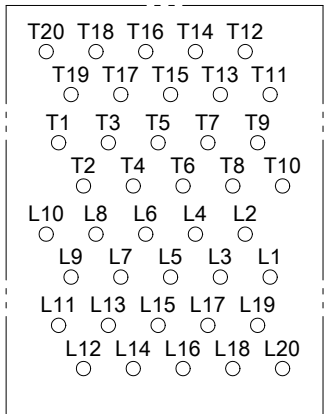
DATE: 06/03/2020

A B C D E F G H



DETAIL D
TOLERANCE: ±0.05

KEEPPOUT ZONE DETAIL



CONNECTOR PIN OUT



TITLE: Stacked SFP+ 2X3 ASS'Y w/ Thermal Solution & Light Pipe			
DWG#: R-OP-008120-7-F-N2-62		SHEET: 3/3	REV. A
UNIT: mm	SCALE: A4 4:1	FINISH:	CHECKED: Gary Kang
TOLERANCE: Angle: ± 1° X: ± 0.15 .X ± 0.10 .XX ± 0.05		MATERIAL: RoHS Compliant	APPROVED: George Yang
THIRD ANGLE PROJECTION		DRAWN: Boris	DATE: 06/03/2020