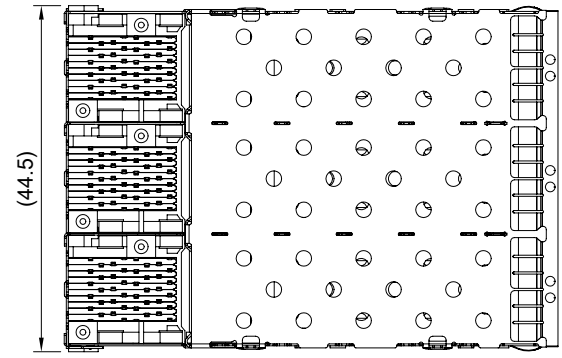


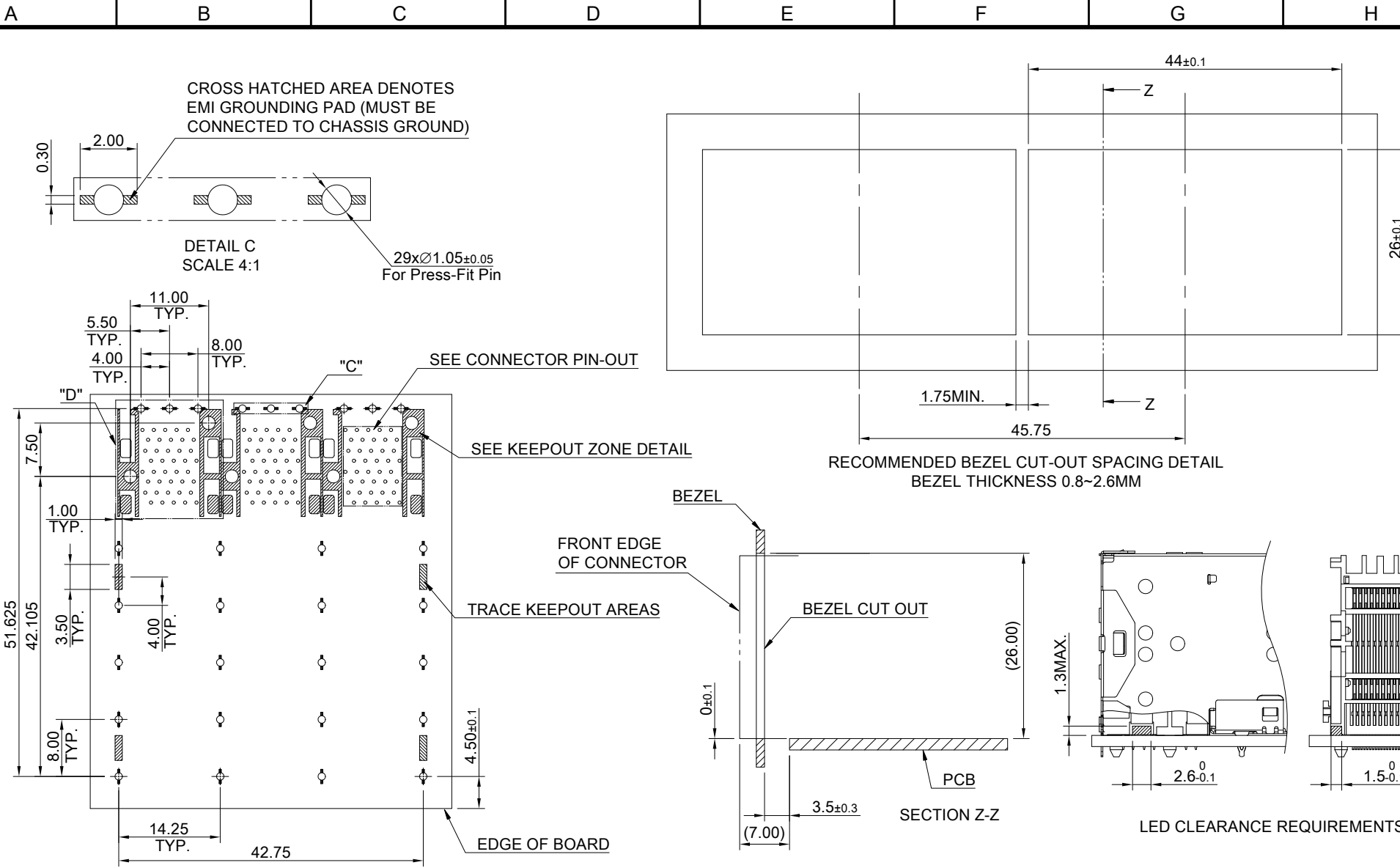
MATERIAL
 CAGE: NICKEL SILVER
 LIGHT PIPE: PC (CLEAR)
 CONNECTOR: LCP 94V-0
 COPPER ALLOY
 EMI SPRING: STAINLESS STEEL

FINISH
 CONTACT: 15µ" MIN. GOLD ON MATING END;
 120µ" MIN. MATTE TIN ON TERMINATION END;
 ALL UNDERPLATED 50µ" MIN. NICKEL

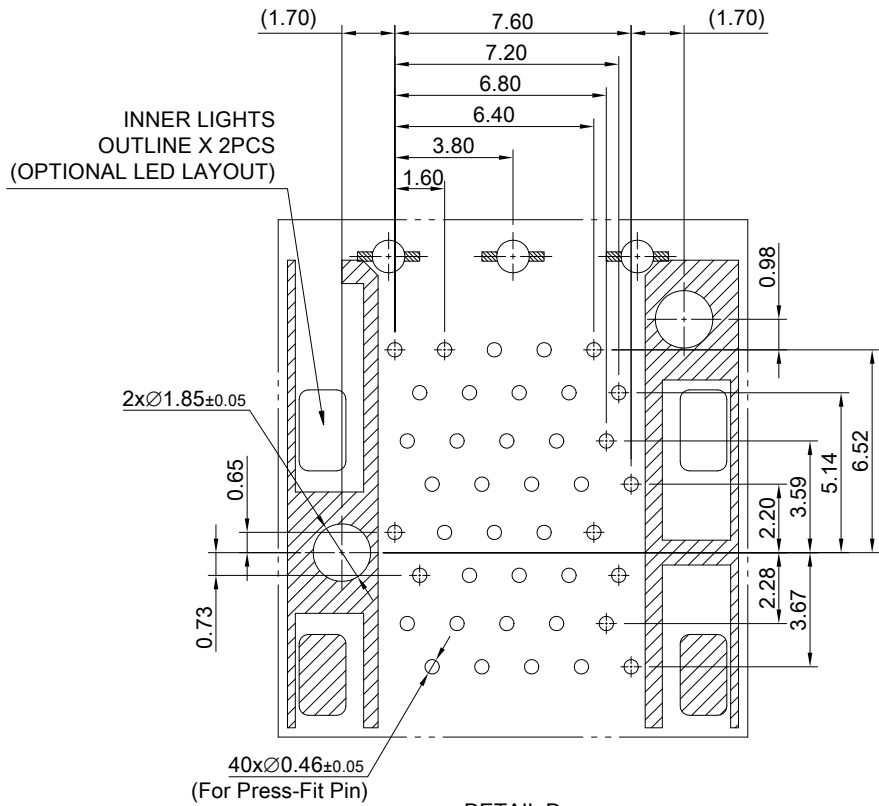
ELECTRICAL CHARACTERISTICS
 CONTACT CURRENT RATING: 0.5 AMPERE
 VOLTAGE RATING: 30 VAC
 CONTACT RESISTANCE: 80 mΩ MAX.
 DIELECTRIC WITHSTANDING VOLTAGE: 300 VAC



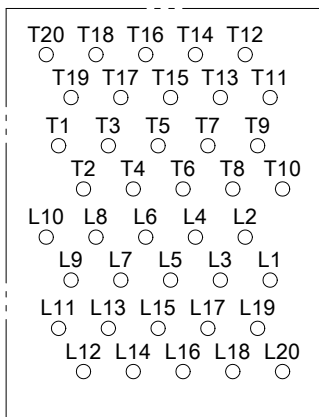
	TITLE: Stacked SFP+ 2X3 ASS'Y w/ Thermal Solution & Light Pipe		
	DWG#: R-OP-008120-7-F-N2-61		SHEET: 1/3
	UNIT: mm	SCALE: A4 1:1	REV. A
	THIRD ANGLE PROJECTION		CHECKED: Gary Kang
TOLERANCE: Angle: ± 1°		MATERIAL: RoHS Compliant	APPROVED: George Yang
X: ± 0.25 .X: ± 0.20 .XX: ± 0.15		DRAWN: Boris	DATE: 06/03/2020



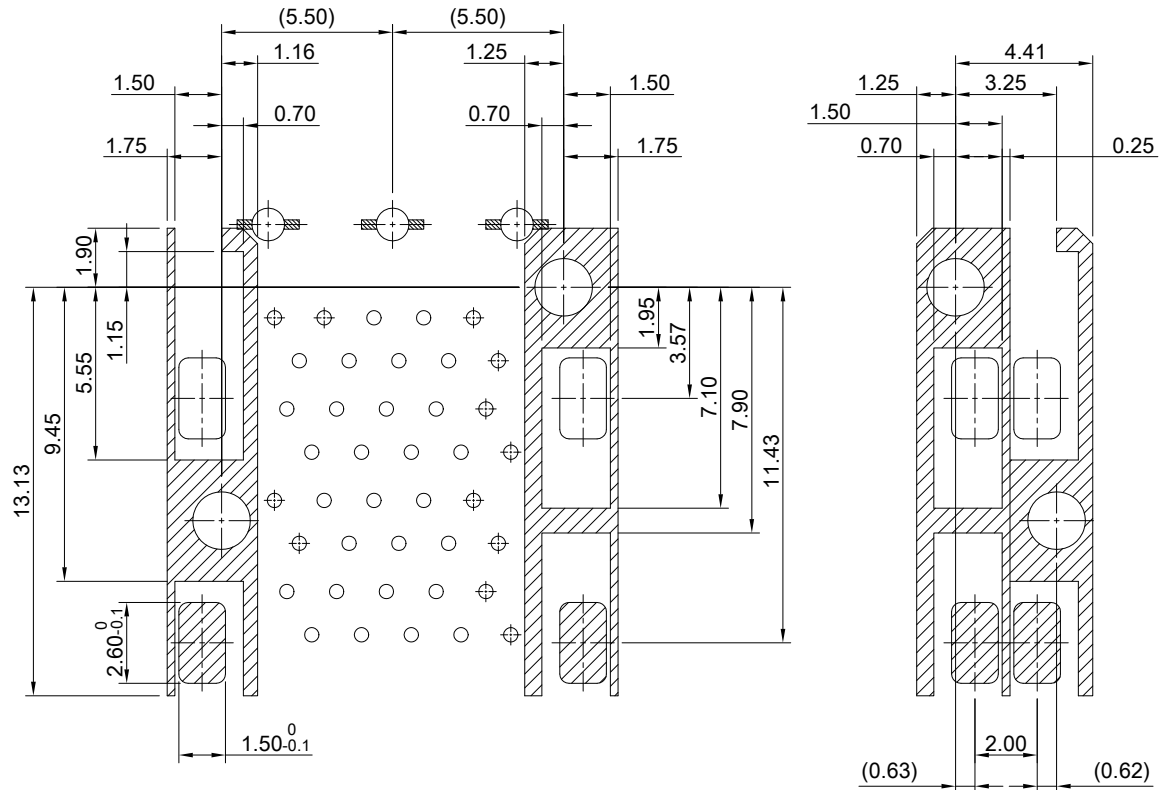
TITLE: Stacked SFP+ 2X3 ASS'Y w/ Thermal Solution & Light Pipe			
DWG#: R-OP-008120-7-F-N2-61		SHEET: 2/3	REV. A
UNIT: mm	SCALE: A4 5:4	FINISH:	CHECKED: Gary Kang
TOLERANCE: X±0.15 .X±0.10 .XX±0.05		MATERIAL: RoHS Compliant	APPROVED: George Yang
THIRD ANGLE PROJECTION		DRAWN: Boris	DATE: 06/03/2020



DETAIL D
TOLERANCE: ±0.05



CONNECTOR PIN OUT



KEEPOUT ZONE DETAIL



TITLE: Stacked SFP+ 2X3 ASS'Y w/ Thermal Solution & Light Pipe			
DWG#: R-OP-008120-7-F-N2-61		SHEET: 3/3	REV. A
UNIT: mm	SCALE: A4 4:1	FINISH:	CHECKED: Gary Kang
THIRD ANGLE PROJECTION		MATERIAL: RoHS Compliant	APPROVED: George Yang
TOLERANCE: Angle: ±1° X: ±0.15 .X: ±0.10 .XX: ±0.05		DRAWN: Boris	DATE: 06/03/2020