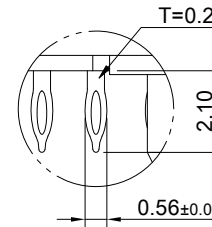
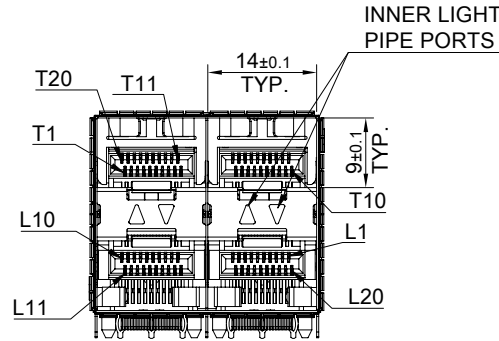
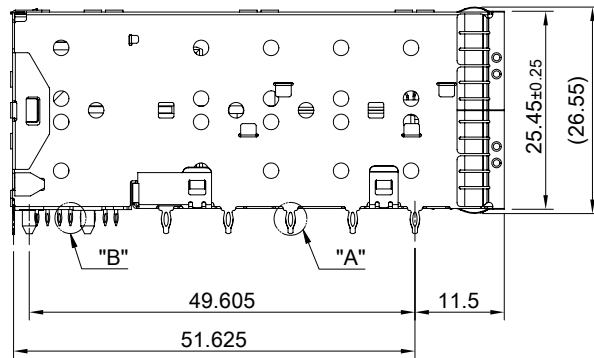
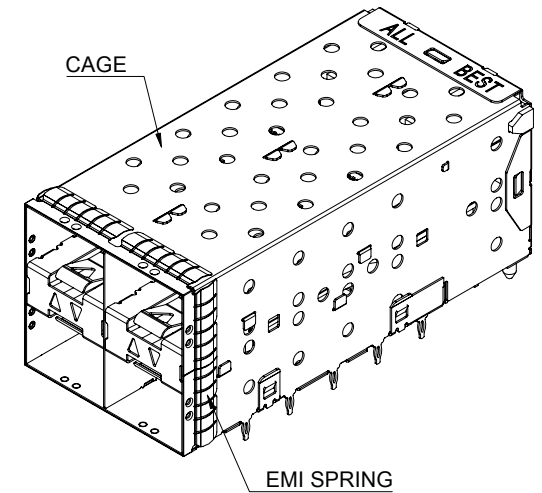


DETAIL A
SCALE 5:1



DETAIL B
SCALE 5:1

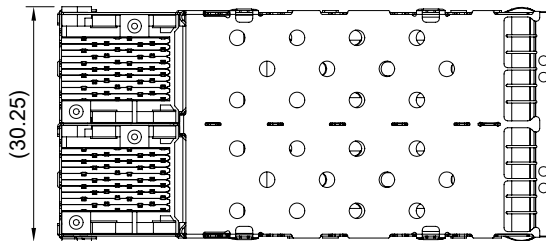


INNER LIGHT
PIPE PORTS

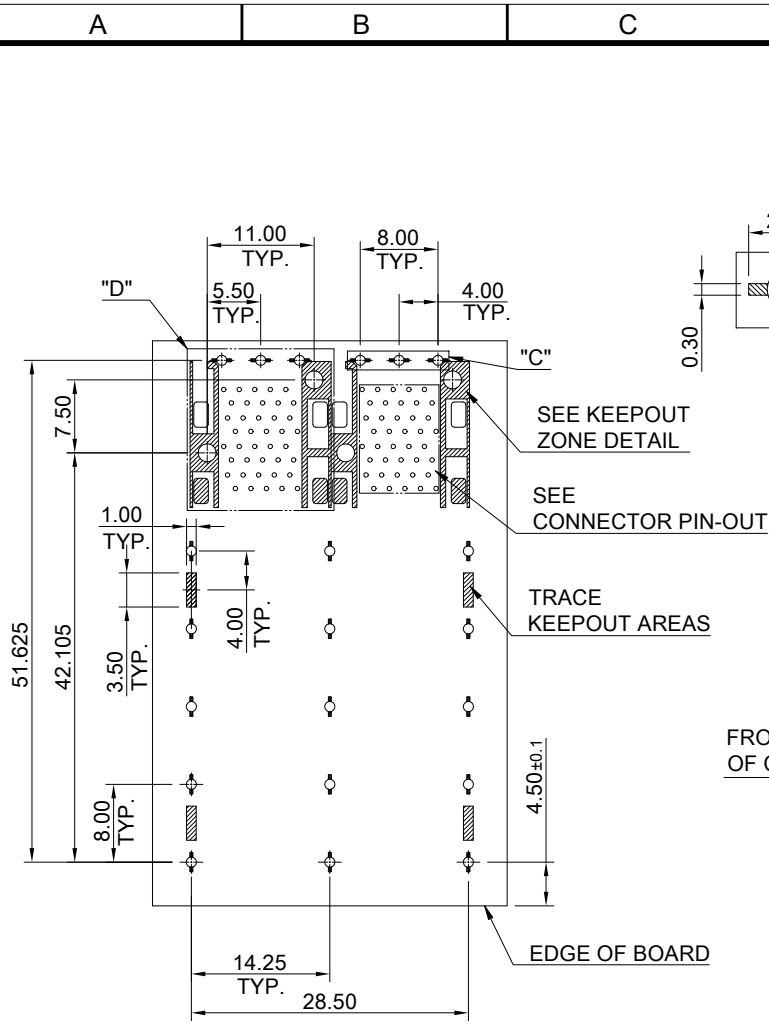
MATERIAL
CAGE: NICKEL SILVER
LIGHT PIPE: PC (CLEAR)
CONNECTOR: LCP 94V-0
COPPER ALLOY
EMI SPRING: STAINLESS STEEL

FINISH
CONTACT: 15µ" MIN. GOLD ON MATING END;
120µ" MIN. MATTE TIN ON TERMINATION END;
ALL UNDERPLATED 50µ" MIN. NICKEL

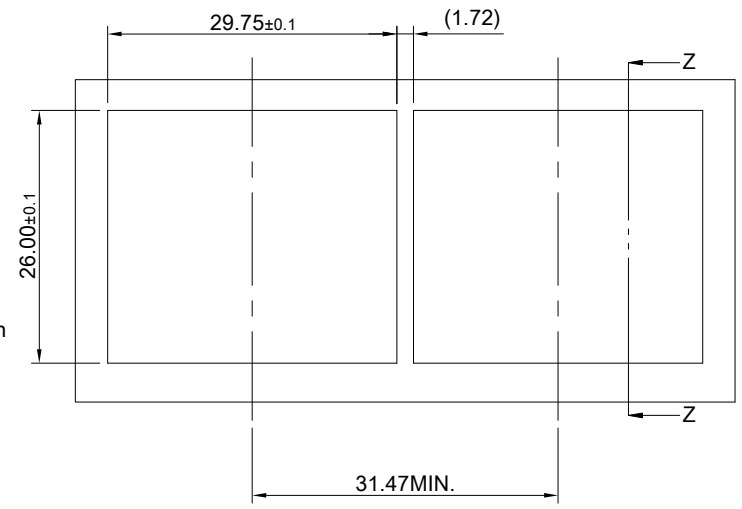
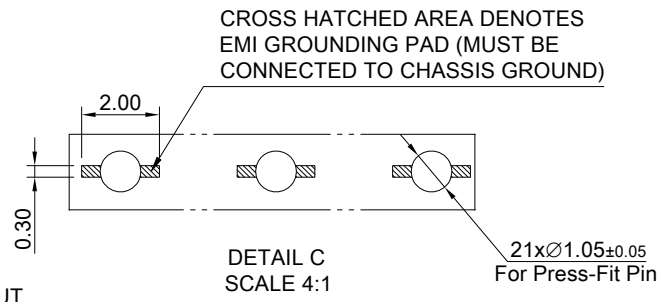
ELECTRICAL CHARACTERISTICS
CONTACT CURRENT RATING: 0.5 AMPERE
VOLTAGE RATING: 30 VAC
CONTACT RESISTANCE: 80 mΩ MAX.
DIELECTRIC WITHSTANDING VOLTAGE: 300 VAC



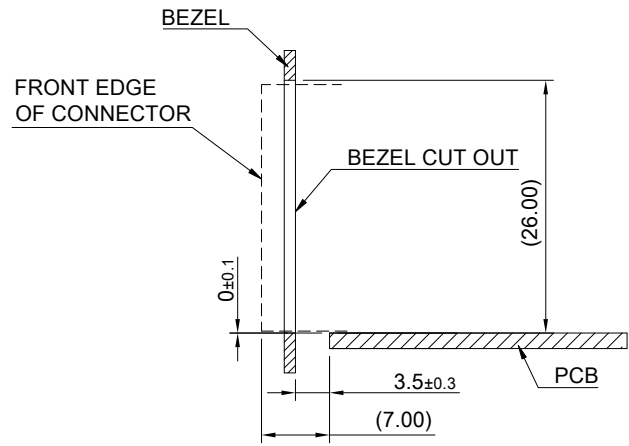
	TITLE: Stacked SFP+ 2X2 ASS'Y w/ Thermal Solution & Light Pipe		
	DWG#: R-OP-008080-7-F-N2-61		SHEET: 1/3
	UNIT: mm	SCALE: A4 1:1	REV. D
	THIRD ANGLE PROJECTION		CHECKED: Gary Kang
TOLERANCE: Angle: ± 1°		MATERIAL: RoHS Compliant	APPROVED: George Yang
X.± 0.25 .X± 0.20 .XX± 0.15		DRAWN: Ting	DATE: 05/26/2020



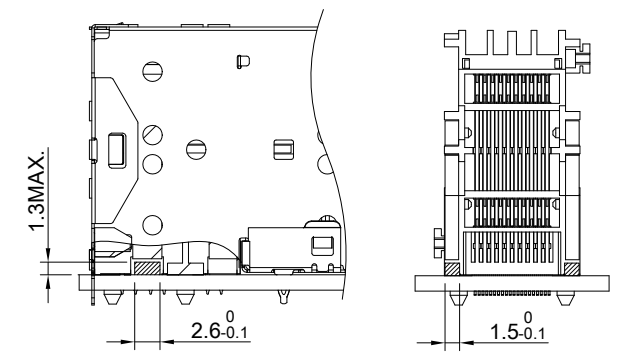
RECOMMENDED PCB LAYOUT
 TOLERANCE: ±0.05
 MINIMUM PCB THICKNESS OF 1.57MM



RECOMMENDED BEZEL CUT-OUT SPACING DETAIL
 BEZEL THICKNESS 0.8~2.6MM

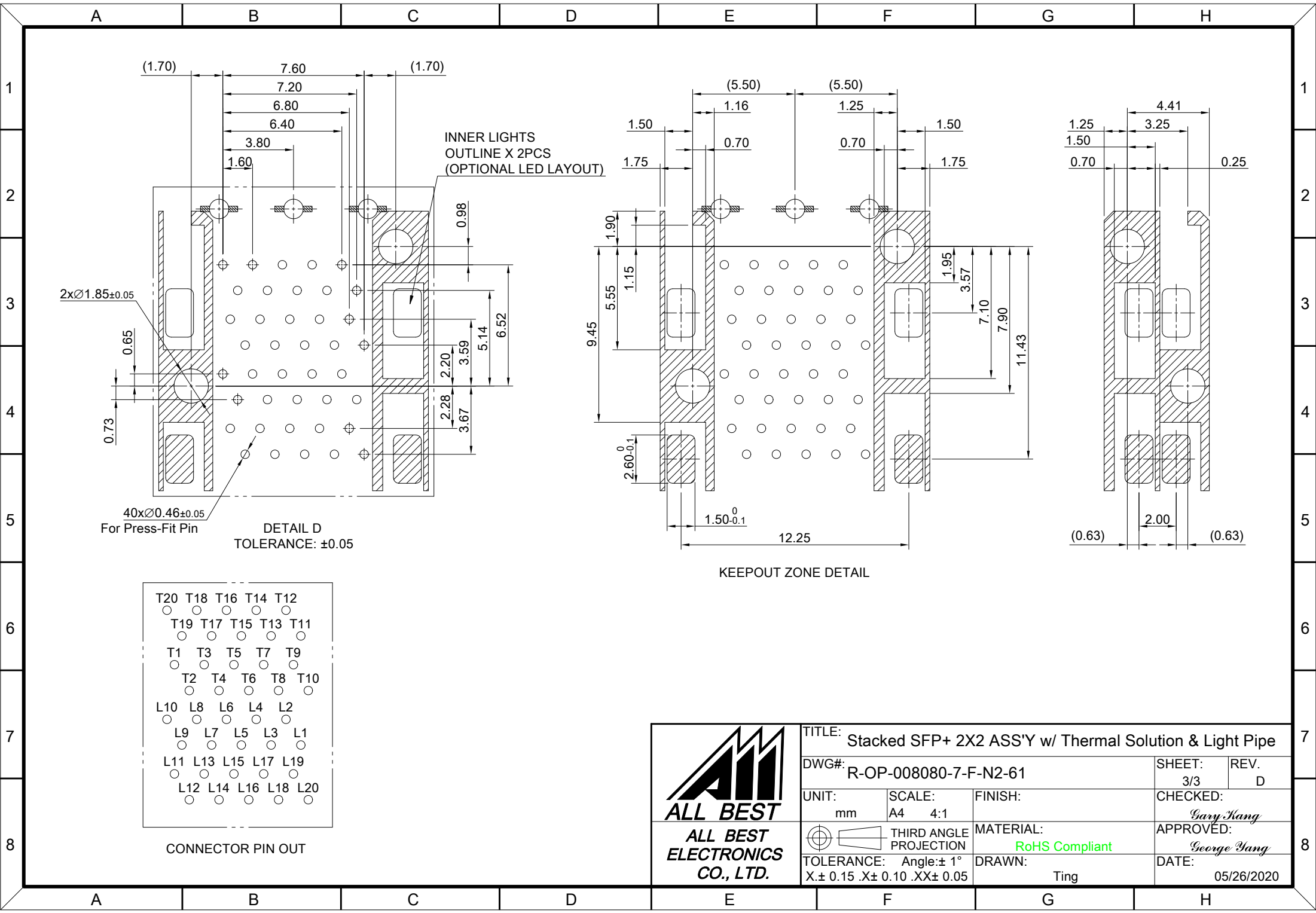


SECTION Z-Z



LED CLEARANCE REQUIREMENTS

<p>ALL BEST ALL BEST ELECTRONICS CO., LTD.</p>	TITLE: Stacked SFP+ 2X2 ASS'Y w/ Thermal Solution & Light Pipe			SHEET: 2/3		REV. D	
	DWG#: R-OP-008080-7-F-N2-61			CHECKED: Gary Kang		APPROVED: George Yang	
	UNIT: mm	SCALE: A4 5:4	FINISH:	MATERIAL: RoHS Compliant		DATE: 05/26/2020	
	TOLERANCE: X±0.15 .X±0.10 .XX±0.05		THIRD ANGLE PROJECTION	DRAWN: Ting			



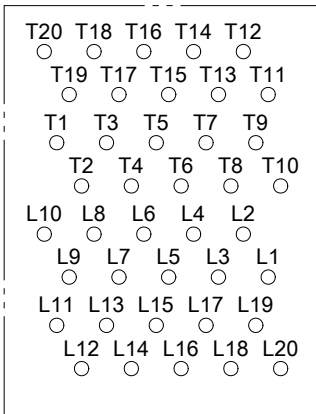
INNER LIGHTS
OUTLINE X 2PCS
(OPTIONAL LED LAYOUT)

2x $\varnothing 1.85 \pm 0.05$

40x $\varnothing 0.46 \pm 0.05$
For Press-Fit Pin

DETAIL D
TOLERANCE: ± 0.05

KEEPOUT ZONE DETAIL



CONNECTOR PIN OUT



TITLE: Stacked SFP+ 2X2 ASS'Y w/ Thermal Solution & Light Pipe			
DWG#: R-OP-008080-7-F-N2-61		SHEET: 3/3	REV. D
UNIT: mm	SCALE: A4 4:1	FINISH:	CHECKED: Gary Kang
THIRD ANGLE PROJECTION		MATERIAL: RoHS Compliant	APPROVED: George Yang
TOLERANCE: Angle: $\pm 1^\circ$ X: ± 0.15 .X: ± 0.10 .XX: ± 0.05		DRAWN: Ting	DATE: 05/26/2020