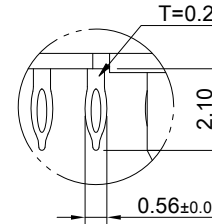
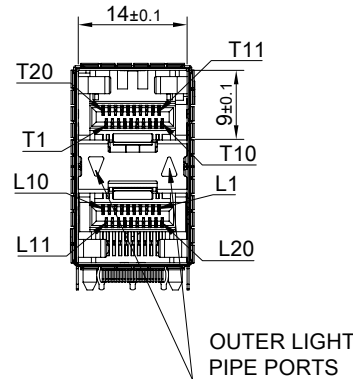
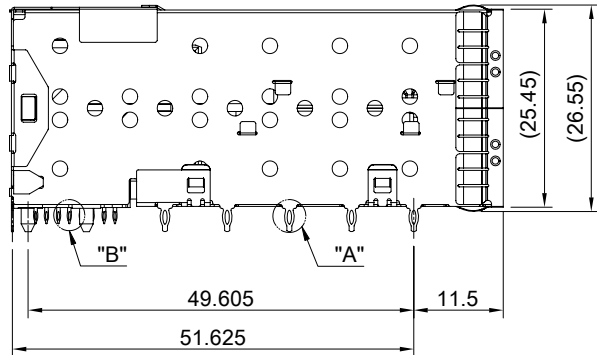
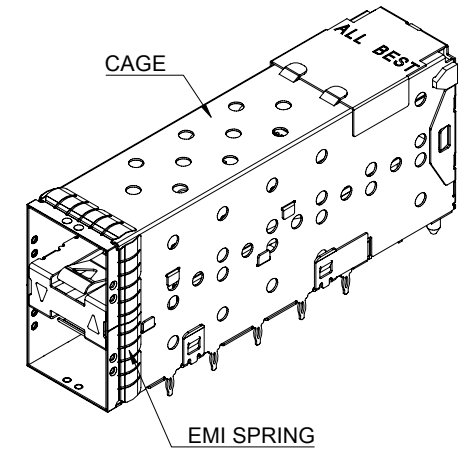


DETAIL A  
SCALE 5:1



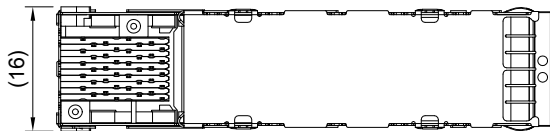
DETAIL B  
SCALE 5:1



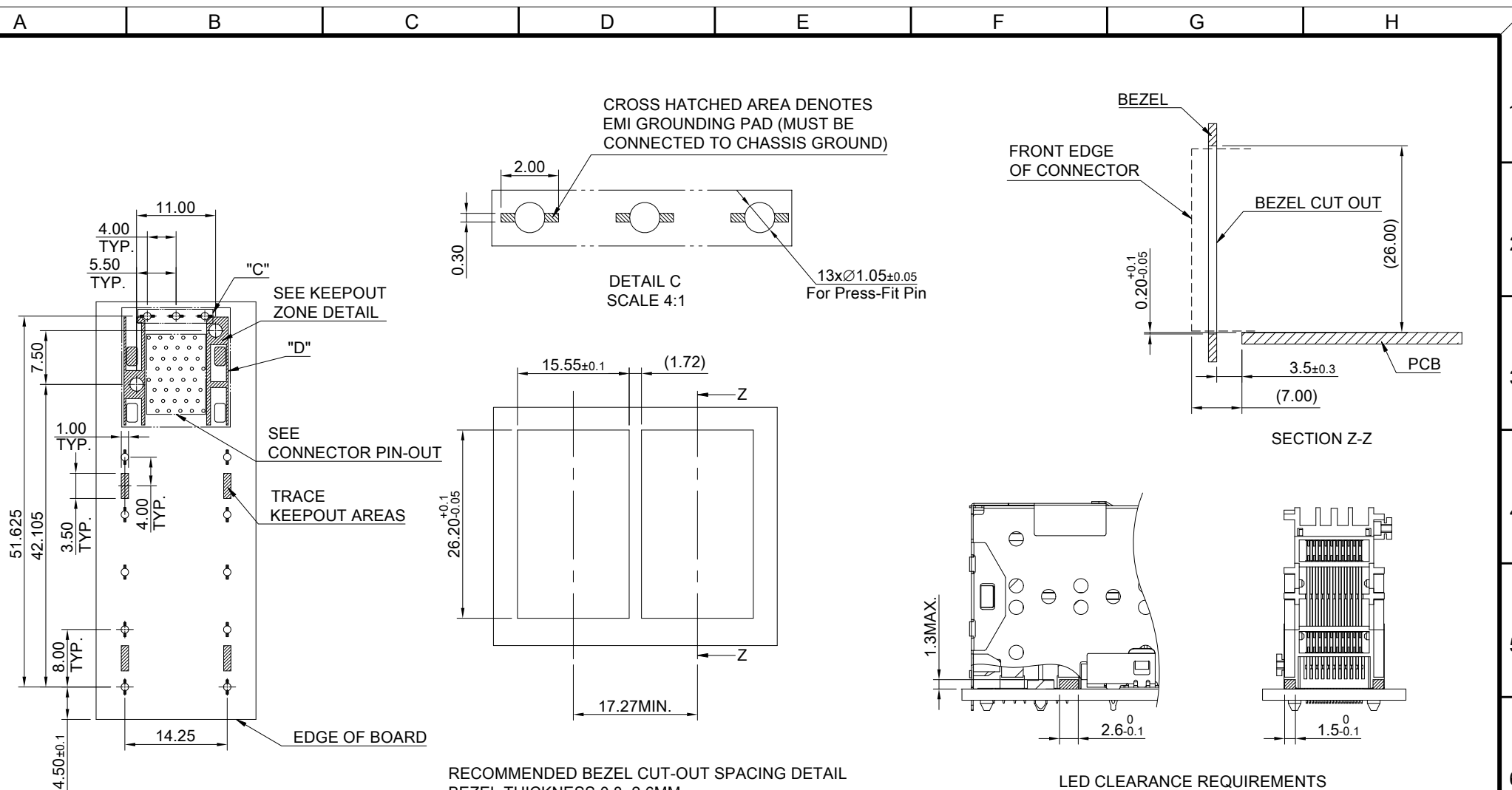
MATERIAL  
 CAGE: NICKEL SILVER  
 LIGHT PIPE: PC (CLEAR)  
 CONNECTOR: LCP 94V-0  
 COPPER ALLOY  
 EMI SPRING: STAINLESS STEEL

FINISH  
 CONTACT: 15µ" MIN. GOLD ON MATING END;  
 30µ" MIN. MATTE TIN ON TERMINATION END;  
 ALL UNDERPLATED 50µ" MIN. NICKEL

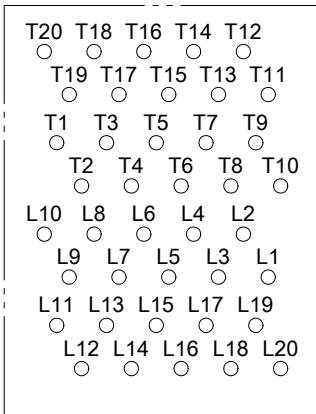
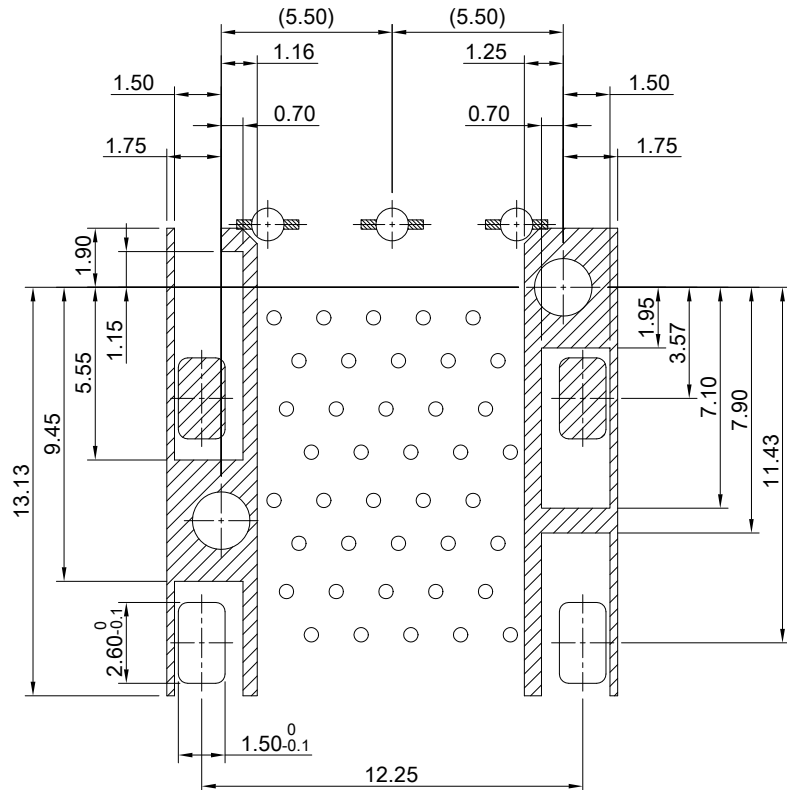
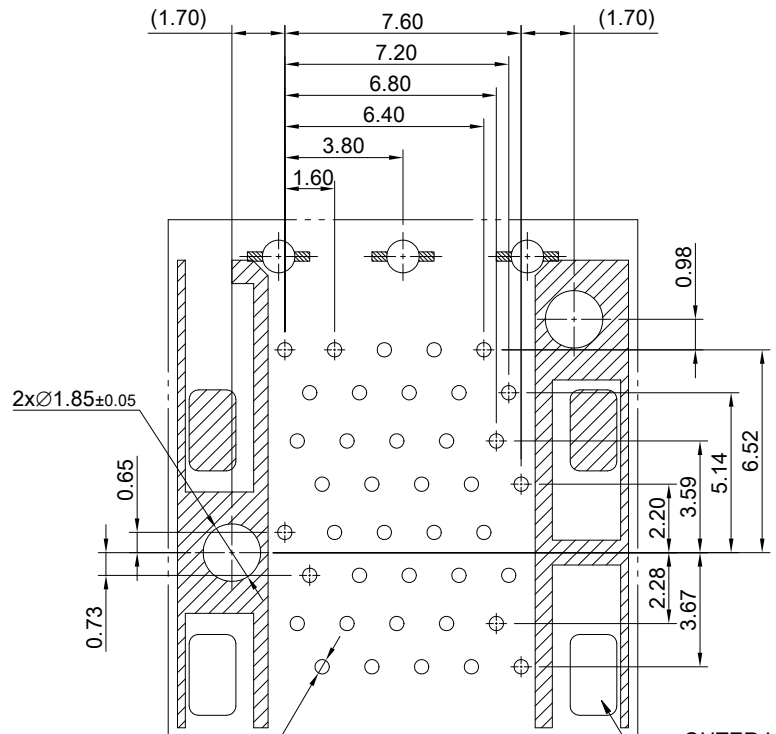
ELECTRICAL CHARACTERISTICS  
 CONTACT CURRENT RATING: 0.5 AMPERE  
 VOLTAGE RATING: 30 VAC  
 CONTACT RESISTANCE: 80 mΩ MAX.  
 DIELECTRIC WITHSTANDING VOLTAGE: 300VAC



	TITLE: Stacked SFP+ 2X1 Assembly w/ Internal Thermal Solution & Light Pipe			SHEET: 1/3		REV. E	
	DWG#: R-DP-008040-7-F-N2-58			CHECKED: Gary Kang		APPROVED: George Yang	
	UNIT: mm	SCALE: A4 1:1	FINISH:	MATERIAL: RoHS Compliant		DATE: 07/14/2022	
	TOLERANCE: X.± 0.25 .X± 0.20 .XX± 0.15		THIRD ANGLE PROJECTION	DRAWN: Laura			



TITLE: Stacked SFP+ 2X1 Assembly w/ Internal Thermal Solution & Light Pipe			
DWG#: R-DP-008040-7-F-N2-58		SHEET: 2/3	REV. E
UNIT: mm	SCALE: A4 5:4	CHECKED: Gary Kang	
THIRD ANGLE PROJECTION		APPROVED: George Yang	
TOLERANCE: Angle: $\pm 1^\circ$ X: $\pm 0.15$ .X: $\pm 0.10$ .XX: $\pm 0.05$		MATERIAL: RoHS Compliant	DATE: 07/14/2022
		DRAWN: Laura	



CONNECTOR PIN OUT

KEEPOUT ZONE DETAIL



TITLE: Stacked SFP+ 2X1 Assembly w/ Internal Thermal Solution & Light Pipe			
DWG#: R-DP-008040-7-F-N2-58		SHEET: 3/3	REV. E
UNIT: mm	SCALE: A4 4:1	FINISH:	CHECKED: Gary Kang
THIRD ANGLE PROJECTION		MATERIAL: RoHS Compliant	APPROVED: George Yang
TOLERANCE: Angle: $\pm$ 1° X: $\pm$ 0.15 .X: $\pm$ 0.10 .XX: $\pm$ 0.05		DRAWN: Laura	DATE: 07/14/2022