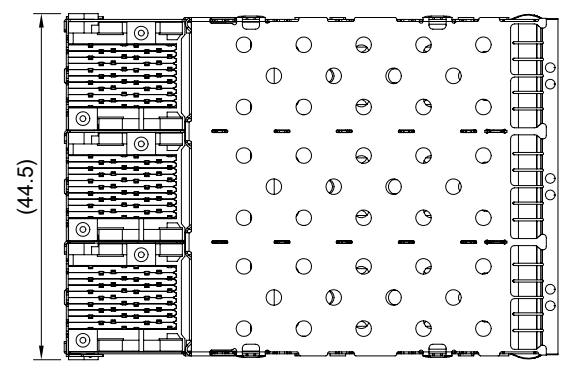


MATERIAL
 CAGE: NICKEL SILVER
 CONNECTOR: LCP 94V-0
 COPPER ALLOY
 EMI SPRING: STAINLESS STEEL

FINISH
 CONTACT: 15µ" MIN. GOLD ON MATING END;
 120µ" MIN. MATTE TIN ON TERMINATION END;
 ALL UNDERPLATED 50µ" MIN. NICKEL

ELECTRICAL CHARACTERISTICS
 CONTACT CURRENT RATING: 0.5 AMPERE
 VOLTAGE RATING: 30 VAC
 CONTACT RESISTANCE: 80 mΩ MAX.
 DIELECTRIC WITHSTANDING VOLTAGE: 300 VAC

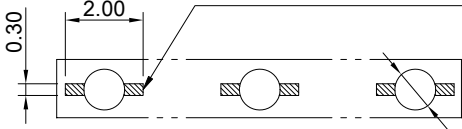


	TITLE: Stacked SFP+ 2X3 ASS'Y w/ Thermal Solution		
	DWG#: R-OP-008120-6-F-N2-26		SHEET: 1/3
	UNIT: mm	SCALE: A4 1:1	REV. A
	THIRD ANGLE PROJECTION		CHECKED: Gary Kang
TOLERANCE: Angle: ± 1°		MATERIAL: RoHS Compliant	APPROVED: George Yang
X: ± 0.25 .X: ± 0.20 .XX: ± 0.15		DRAWN: Boris	DATE: 06/03/2020

A B C D E F G H

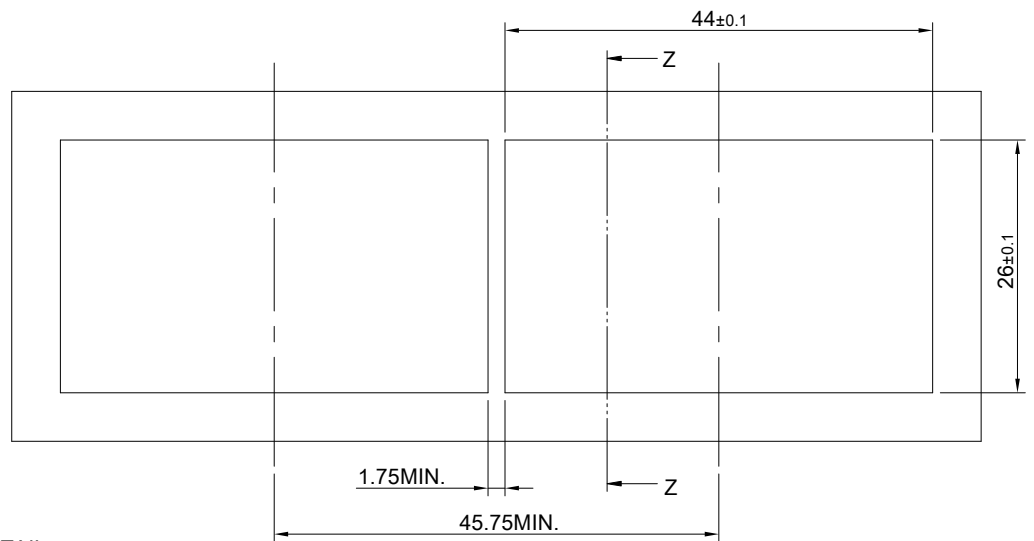
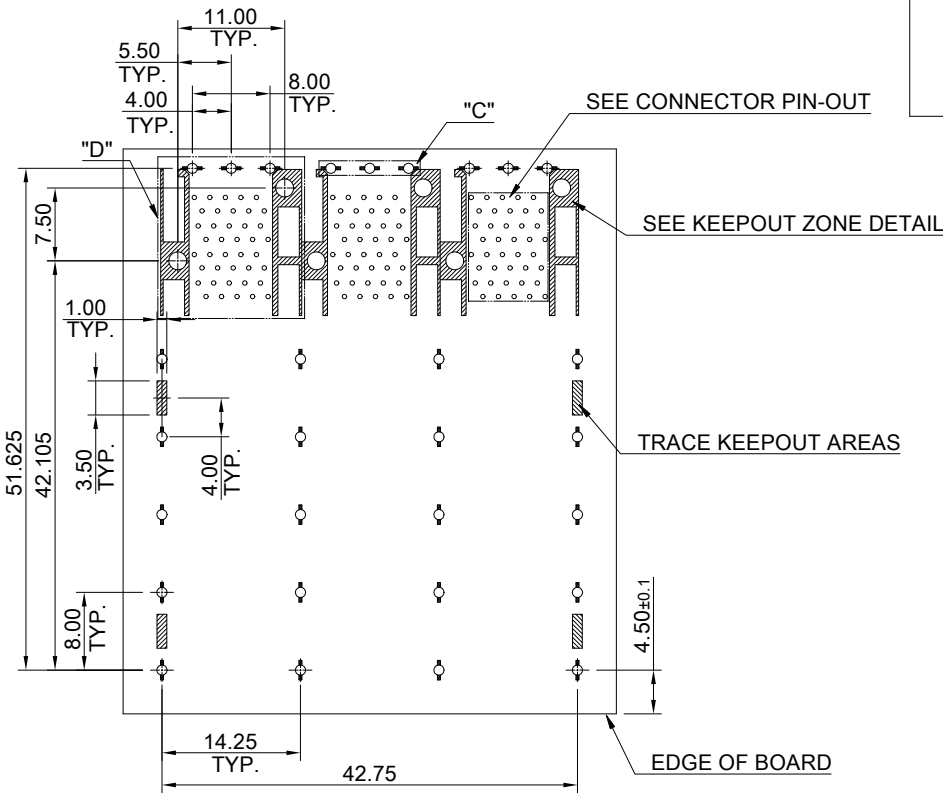
1
2
3
4
5
6
7
8

CROSS HATCHED AREA DENOTES
EMI GROUNDING PAD (MUST BE
CONNECTED TO CHASSIS GROUND)

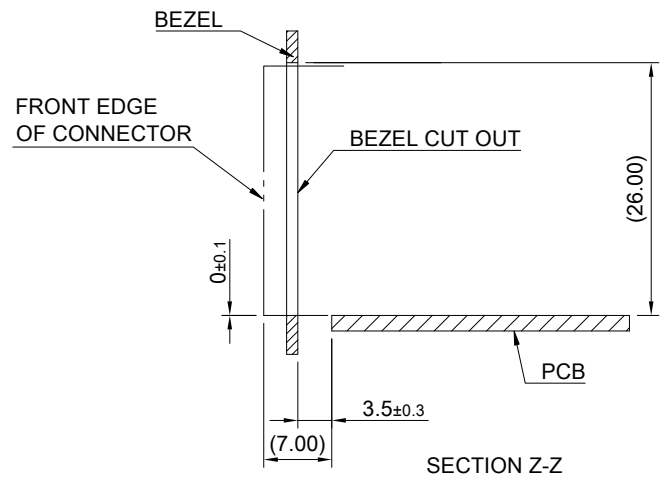


DETAIL C
SCALE 4:1

29xØ1.05±0.05
For Press-Fit Pin



RECOMMENDED BEZEL CUT-OUT SPACING DETAIL
BEZEL THICKNESS 0.8~2.6MM

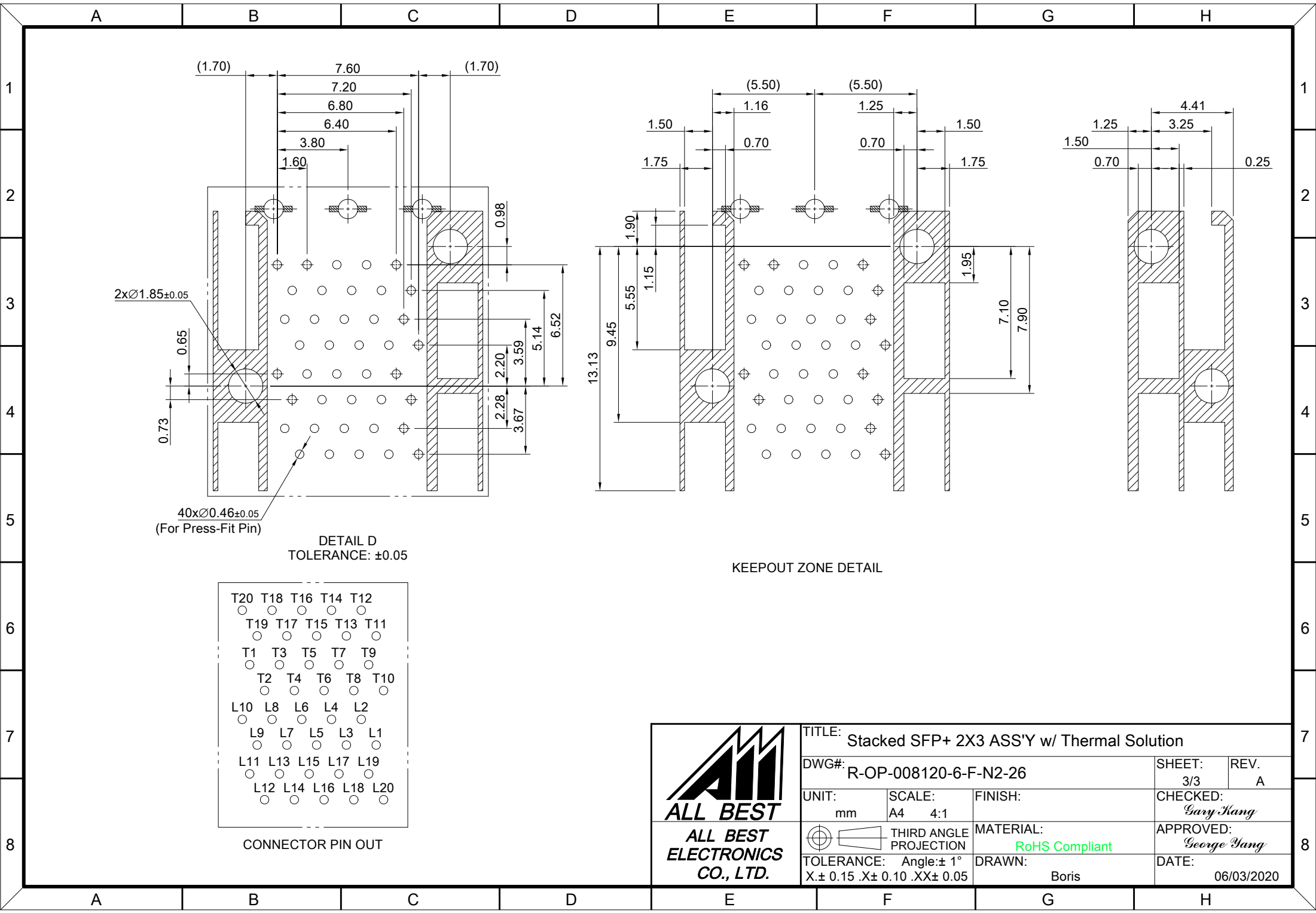


RECOMMENDED PCB LAYOUT-COMPONENT SIDE
TOLERANCE: ±0.05
MINIMUM PCB THICKNESS - 1.57 MM
THE ENTIRE AREA OF THE CONNECTOR FOOTPRINT
TO BE CONSIDERED THE KEEP OUT AREA FOR COMPONENTS
(OTHER THAN LIGHT PIPE LED'S)
THIS AREA IS INDICATED BY THE DASHED LINE



TITLE: Stacked SFP+ 2X3 ASS'Y w/ Thermal Solution			
DWG#: R-OP-008120-6-F-N2-26		SHEET: 2/3	REV. A
UNIT: mm	SCALE: A4 5:4	FINISH:	CHECKED: Gary Kang
THIRD ANGLE PROJECTION		MATERIAL: RoHS Compliant	APPROVED: George Yang
TOLERANCE: X± 0.15 .X± 0.10 .XX± 0.05		DRAWN: Boris	DATE: 06/03/2020

A B C D E F G H

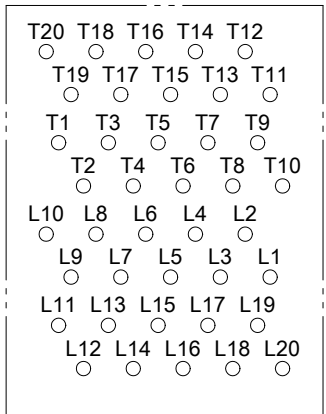


2x \varnothing 1.85 \pm 0.05

40x \varnothing 0.46 \pm 0.05
(For Press-Fit Pin)

DETAIL D
TOLERANCE: \pm 0.05

KEEPOUT ZONE DETAIL



CONNECTOR PIN OUT

	TITLE: Stacked SFP+ 2X3 ASS'Y w/ Thermal Solution		
	DWG#: R-OP-008120-6-F-N2-26		SHEET: 3/3
	UNIT: mm	SCALE: A4 4:1	FINISH:
	TOLERANCE: \varnothing \pm 0.15 .X \pm 0.10 .XX \pm 0.05		MATERIAL: RoHS Compliant
THIRD ANGLE PROJECTION		DRAWN: Boris	REV. A
APPROVED: George Yang		DATE: 06/03/2020	