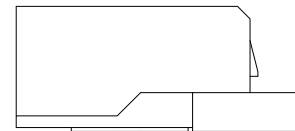
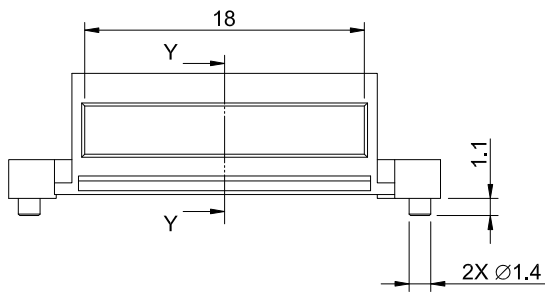
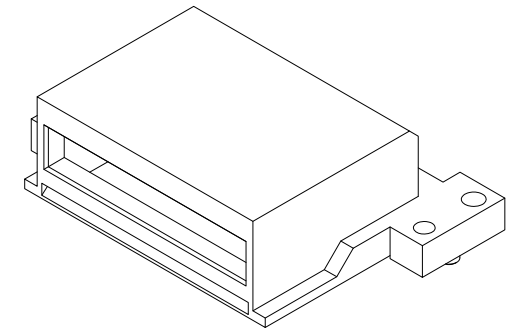


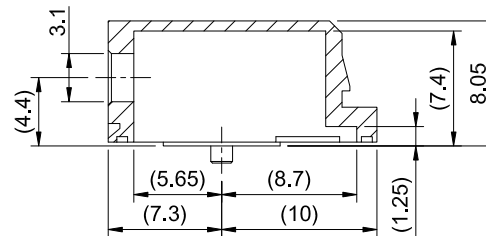
SCALE Z-Z



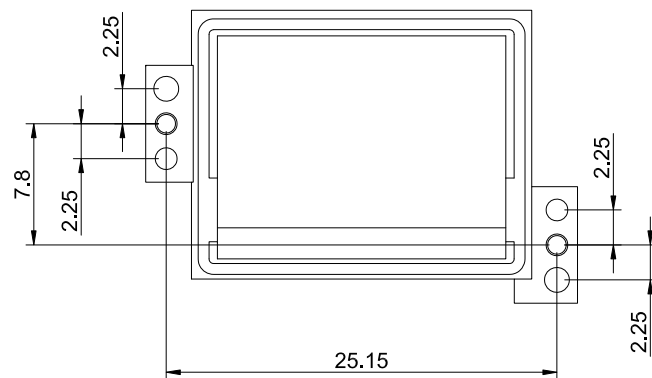
MATERIAL  
CONNECTOR COVER: ZINC ALLOY


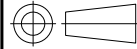
FINISH  
CONNECTOR COVER: NICKEL PLATED

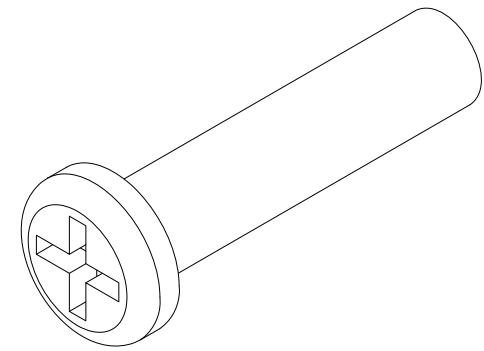
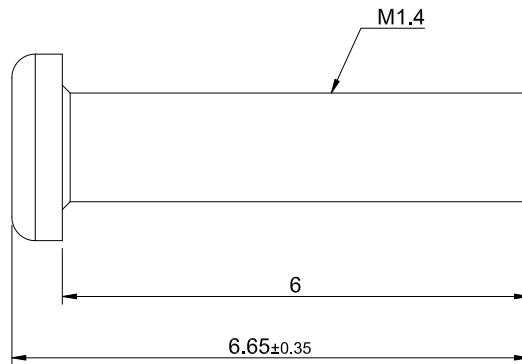
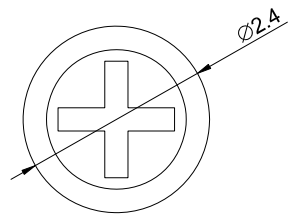
NOTE  
TWO MOUNTING SCREWS ARE USED WITH A CONNECTOR COVER .



SCALE Y-Y



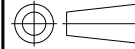
	TITLE: CFP4 1X1 Connector Cover & Screws			
	DWG#: H-MG-CF6-2XB00		SHEET: 1/2	REV. A
	UNIT: mm	SCALE: A4 2:1	CHECKED: Gary Yang	
	 THIRD ANGLE PROJECTION		MATERIAL: RoHS, HF Compliant	APPROVED: George Yang
TOLERANCE: Angle: ± 1° X: ± 0.25 .X: ± 0.20 .XX: ± 0.15		DRAWN: Ting	DATE: 10/04/2016	



MATERIAL  
SCREW: STEEL

FINISH  
SCREW: NICKEL PLATED



TITLE: CFP4 1X1 Connector Cover & Screws			
DWG#: H-MG-CF6-2XB00		SHEET: 2/2	REV. A
UNIT: mm	SCALE: A4 10:1	FINISH:	CHECKED: Gary Hwang
 THIRD ANGLE PROJECTION		MATERIAL: RoHS, HF Compliant	APPROVED: George Yang
TOLERANCE: Angle:± 1° X.± 0.25 .X± 0.20 .XX± 0.15		DRAWN: Ting	DATE: 10/04/2016