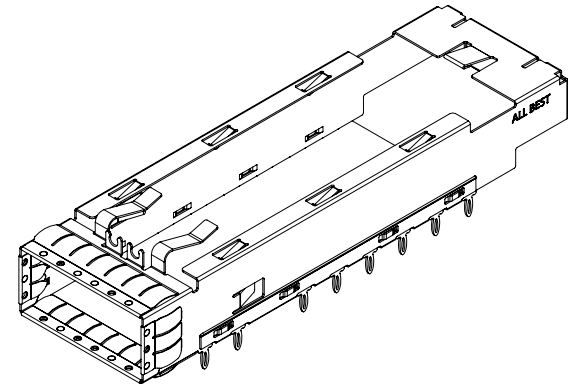
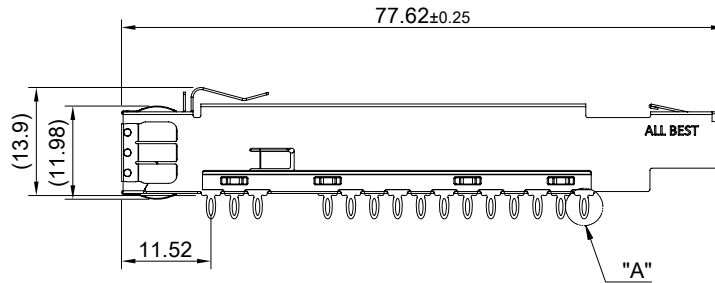


DETAIL A
SCALE 4:1

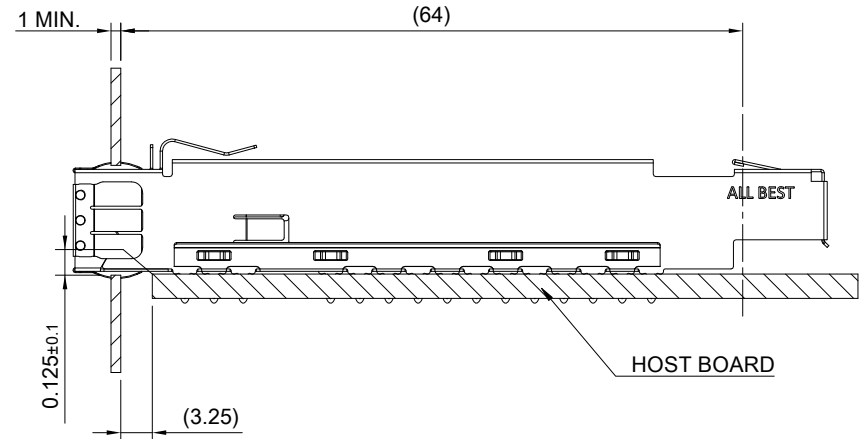
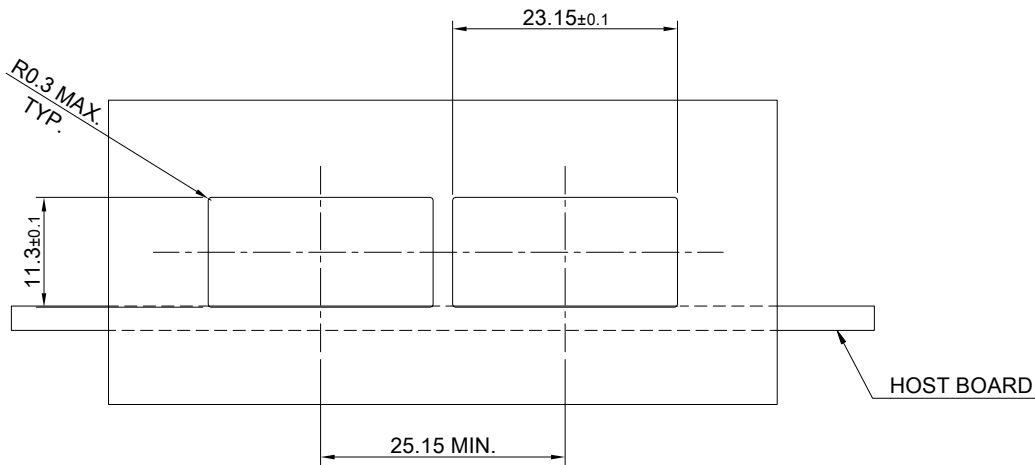


MATERIAL
CAGE: NICKEL SILVER
EMI SPRING: STAINLESS STEEL


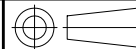
NOTE
A CONNECTOR COVER IS USED WITH A CAGE AND
PURCHASED SEPARATELY. (P/N: H-CO-CF6-2B04)

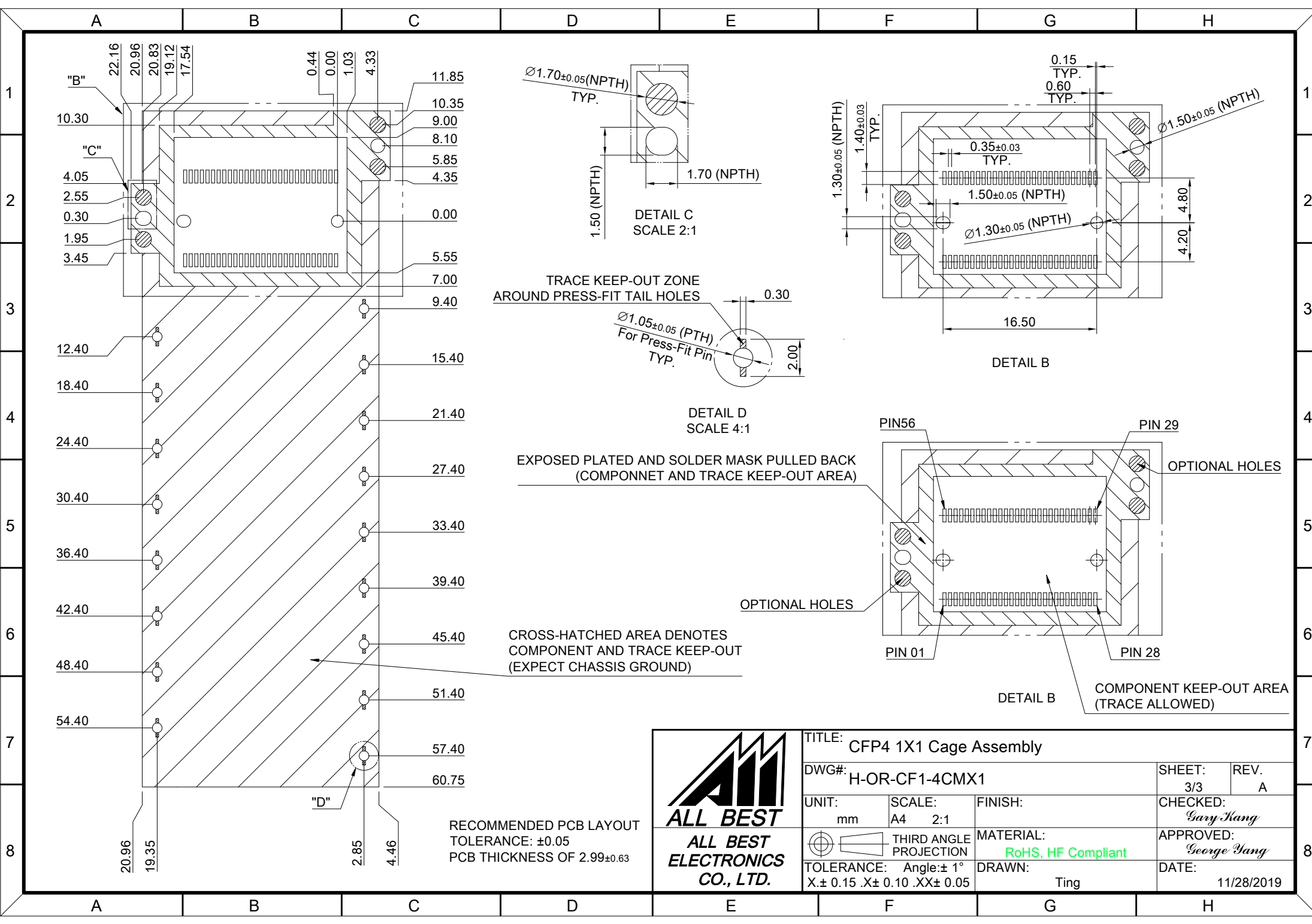


TITLE: CFP4 1X1 Cage Assembly		SHEET: 1/3	REV. A
DWG#: H-OR-CF1-4CMX1		CHECKED: Gary Kang	
UNIT: mm	SCALE: A4 1:1	APPROVED: George Yang	
THIRD ANGLE PROJECTION		MATERIAL: RoHS, HF Compliant	
TOLERANCE: Angle: ± 1° X ± 0.25 .X ± 0.20 .XX ± 0.15		DRAWN: Ting	DATE: 11/28/2019



RECOMMENDED BEZEL CUT-OUT

 ALL BEST ALL BEST ELECTRONICS CO., LTD.	TITLE: CFP4 1X1 Cage Assembly		SHEET:	REV.	
	DWG#: H-OR-CF1-4CMX1		2/3	A	
	UNIT:	SCALE:	FINISH:	CHECKED:	
	mm	A4 5:4		<i>Gary Kang</i>	
 THIRD ANGLE PROJECTION		MATERIAL:	APPROVED:		
TOLERANCE: Angle: ± 1° X ± 0.15 .X ± 0.10 .XX ± 0.05		RoHS, HF Compliant	<i>George Yang</i>		
DRAWN: Ting			DATE: 11/28/2019		



RECOMMENDED PCB LAYOUT
TOLERANCE: ± 0.05
PCB THICKNESS OF 2.99 ± 0.03



TITLE: CFP4 1X1 Cage Assembly			
DWG#: H-OR-CF1-4CMX1		SHEET: 3/3	REV. A
UNIT: mm	SCALE: A4 2:1	CHECKED: Gary Kang	
TOLERANCE: Angle: $\pm 1^\circ$ X: ± 0.15 .X: ± 0.10 .XX: ± 0.05		MATERIAL: RoHS, HF Compliant	APPROVED: George Yang
THIRD ANGLE PROJECTION		DRAWN: Ting	DATE: 11/28/2019