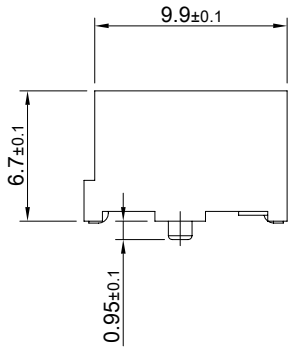
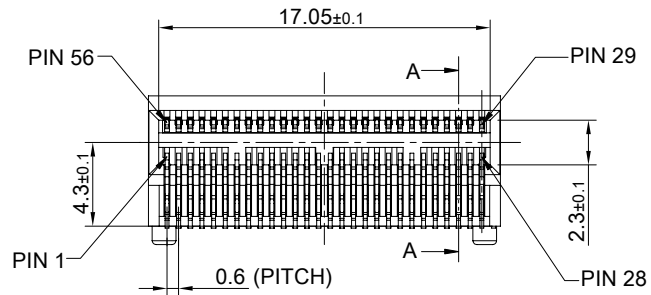
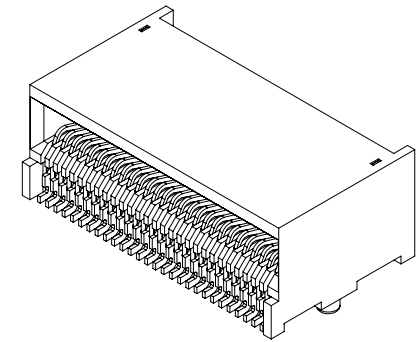


SECTION A-A

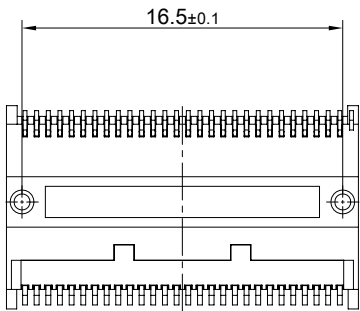



**MATERIALS**  
 CONTACTS: COPPER ALLOY  
 HOUSING: LCP THERMOPLASTIC 94V-0  
 INSULATOR COLOR: BLACK

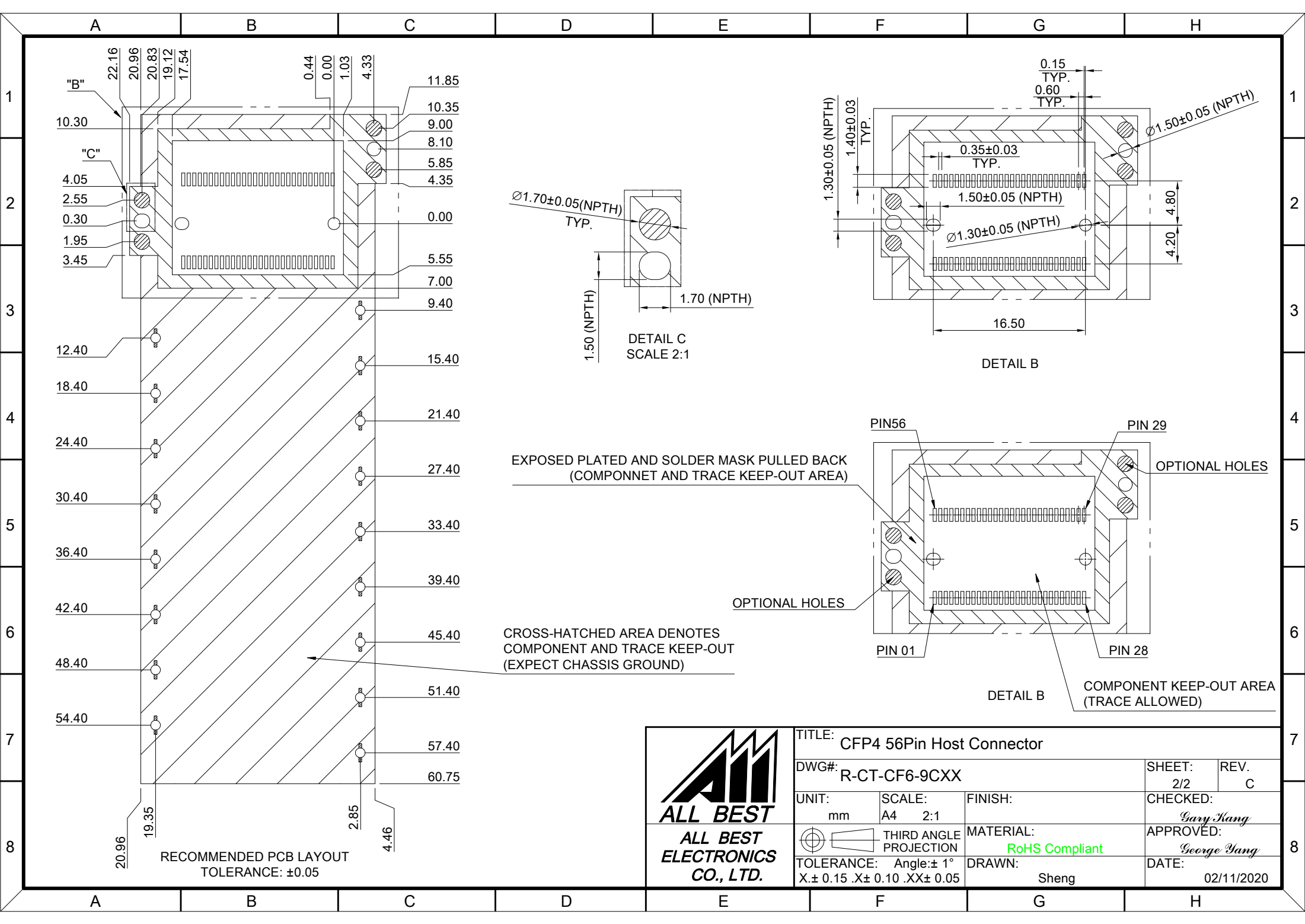
**ELECTRICAL CHARACTERISTICS**  
 CONTACT CURRENT RATING: 0.5 AMPERE  
 DIELECTRIC WITHSTANDING VOLTAGE: 300 VAC  
 VOLTAGE RATING: 31.5 VAC  
 CONTACT RESISTANCE: 10 mΩ MAX.

**FINISHES**  
 CONTACTS: 15μ" MIN. GOLD ON MATING END (SIGNAL PIN)  
 MATTE TIN ON TERMINATION END;  
 ALL UNDERPLATED NICKEL

**ENVIRONMENT**  
 OPERATION TEMPERATURE: -55°C TO +85°C  
 SMT TEMPERATURE: 260°C



	TITLE: CFP4 56Pin Host Connector			SHEET: 1/2	REV. C
	DWG#: R-CT-CF6-9CXX			CHECKED:	<i>Gary Kang</i>
	UNIT: mm	SCALE: A4 5:2	FINISH:	APPROVED:	<i>George Yang</i>
	TOLERANCE: X.± 0.25 .X± 0.20 .XX± 0.15		MATERIAL: RoHS Compliant	DATE:	02/11/2020
		THIRD ANGLE PROJECTION	DRAWN: Sheng		



RECOMMENDED PCB LAYOUT  
TOLERANCE: ±0.05

DETAIL C  
SCALE 2:1

DETAIL B

DETAIL B

EXPOSED PLATED AND SOLDER MASK PULLED BACK  
(COMPONENT AND TRACE KEEP-OUT AREA)

CROSS-HATCHED AREA DENOTES  
COMPONENT AND TRACE KEEP-OUT  
(EXPECT CHASSIS GROUND)

OPTIONAL HOLES

OPTIONAL HOLES

COMPONENT KEEP-OUT AREA  
(TRACE ALLOWED)

		TITLE: CFP4 56Pin Host Connector	
		DWG#: R-CT-CF6-9CXX	
UNIT: mm	SCALE: A4 2:1	FINISH: RoHS Compliant	CHECKED: Gary Kang
THIRD ANGLE PROJECTION TOLERANCE: Angle: ±1° X: ±0.15 .X: ±0.10 .XX: ±0.05		MATERIAL: RoHS Compliant	APPROVED: George Yang
		DRAWN: Sheng	DATE: 02/11/2020