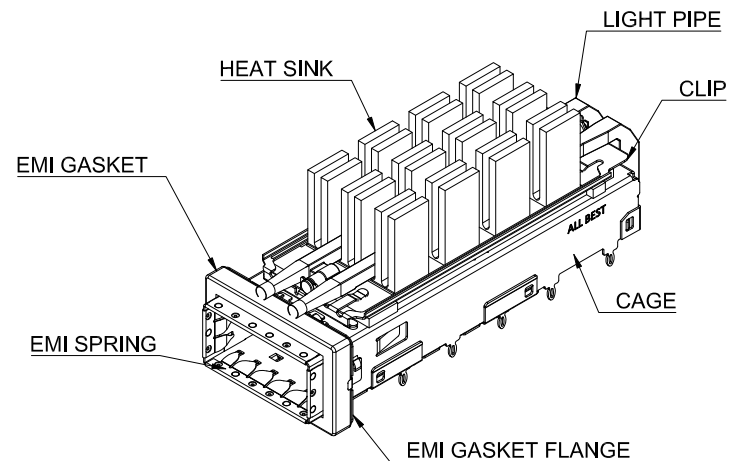
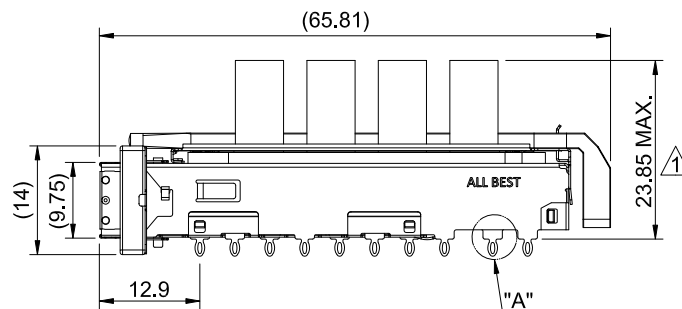


DETAIL A
SCALE 5:1



MATERIAL
 CAGE: NICKEL SILVER
 EMI SPRING: STAINLESS STEEL
 HEAT SINK: ALUMINUM
 HEAT SINK CLIP: STAINLESS STEEL
 LIGHT PIPE: PC
 EMI GASKET: CONDUCTIVE ELASTOMER
 EMI GASKET FLANGE: STAINLESS STEEL

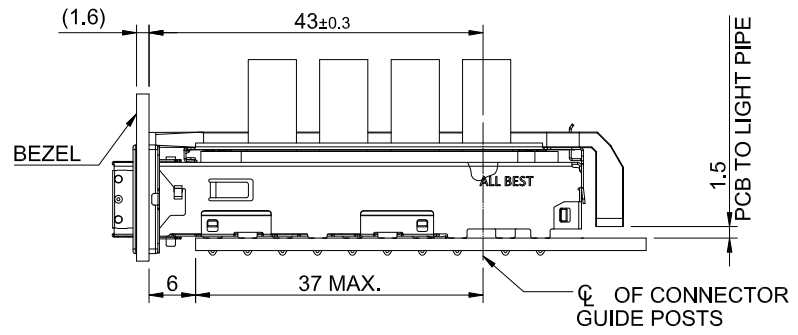
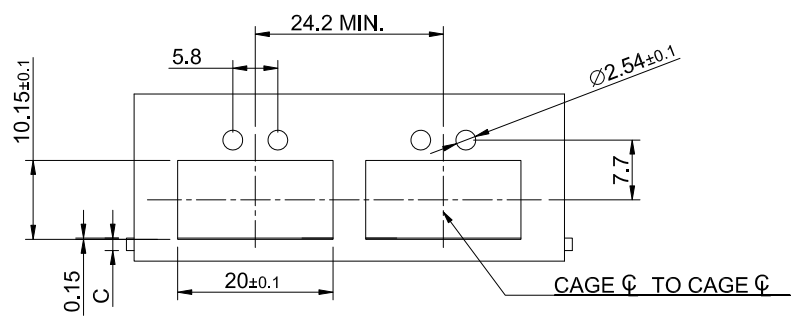
FINISH
 HEAT SINK: ANODE PROCESS

NOTE
 ▲ DIMENSION APPLIES WITH MODULE INSERTED IN CAGE

	TITLE: QSFP28 1X1 Cage Assembly w/ Heat Sink & Light Pipe		SHEET: 1/4	REV. B
	DWG#: R-OR-ZQ1-4CGED-MK		CHECKED: Gary Yang	
	UNIT: mm	SCALE: A4 1:1	APPROVED: George Yang	
	TOLERANCE: X.± 0.25 .X± 0.20 .XX± 0.15		MATERIAL: RoHS Compliant	DATE: 01/24/2019
THIRD ANGLE PROJECTION Angle: ± 1°		DRAWN: Laura		

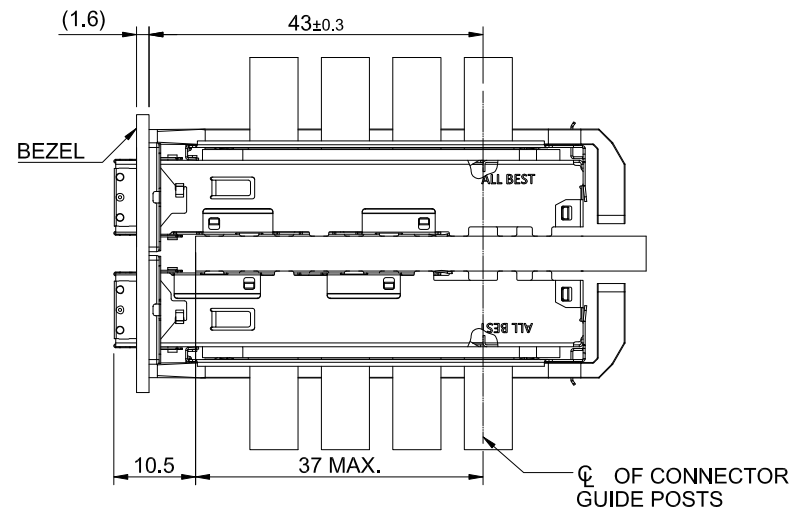
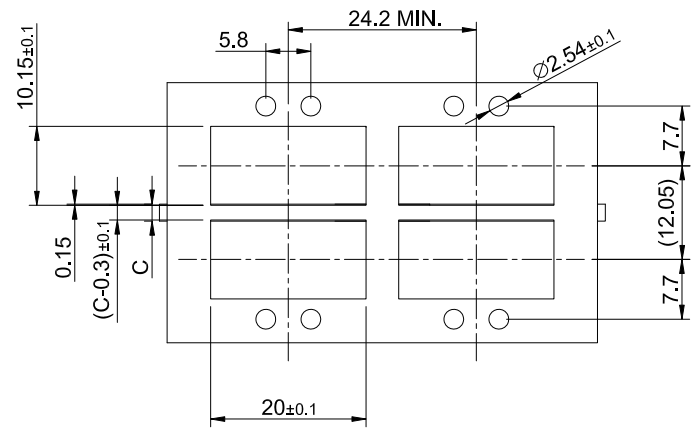
A B C D E F G H

1



SINGLE-SIDE CONFIGURATION

4



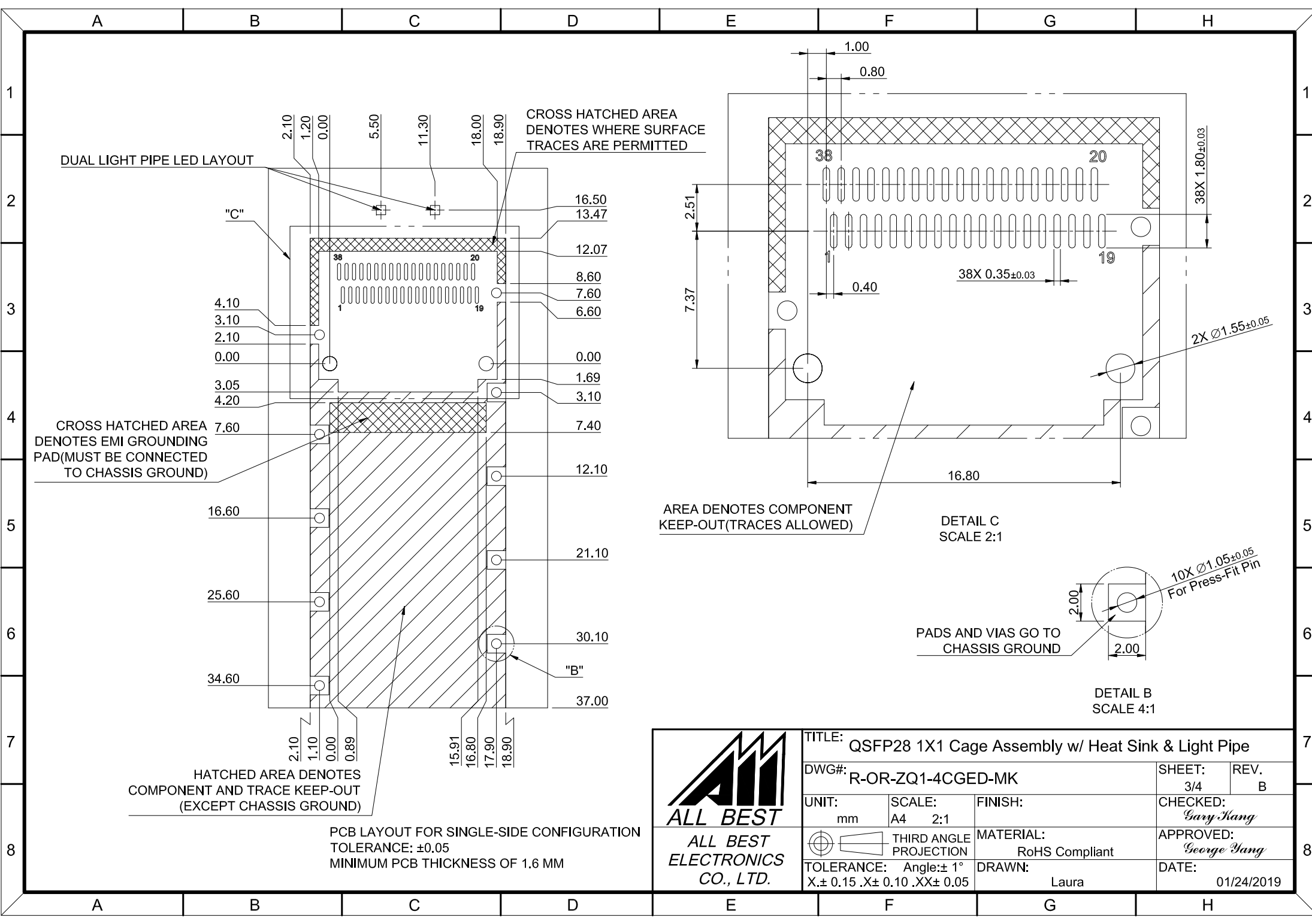
BELLY TO BELLY CONFIGURATION

C = THICKNESS OF PC BOARD
 SINGLE-SIDE = 1.6MM (MIN.)
 BELLY TO BELLY = 4.5MM (MIN.)

8

<p>ALL BEST ALL BEST ELECTRONICS CO., LTD.</p>	TITLE: QSFP28 1X1 Cage Assembly w/ Heat Sink & Light Pipe		SHEET:	REV.
	DWG#: R-OR-ZQ1-4CGED-MK		2/4	B
	UNIT:	SCALE:	FINISH:	CHECKED:
	mm	A4 1:1		<i>Gary Yang</i>
TOLERANCE: X.± 0.15 .X± 0.10 .XX± 0.05		THIRD ANGLE PROJECTION	MATERIAL:	APPROVED:
		Angle: ± 1°	RoHS Compliant	<i>George Yang</i>
			DRAWN:	DATE:
			Laura	01/24/2019

A B C D E F G H



DUAL LIGHT PIPE LED LAYOUT

CROSS HATCHED AREA DENOTES WHERE SURFACE TRACES ARE PERMITTED

CROSS HATCHED AREA DENOTES EMI GROUNDING PAD (MUST BE CONNECTED TO CHASSIS GROUND)

HATCHED AREA DENOTES COMPONENT AND TRACE KEEP-OUT (EXCEPT CHASSIS GROUND)

PCB LAYOUT FOR SINGLE-SIDE CONFIGURATION
TOLERANCE: ±0.05
MINIMUM PCB THICKNESS OF 1.6 MM

AREA DENOTES COMPONENT KEEP-OUT (TRACES ALLOWED)

DETAIL C
SCALE 2:1

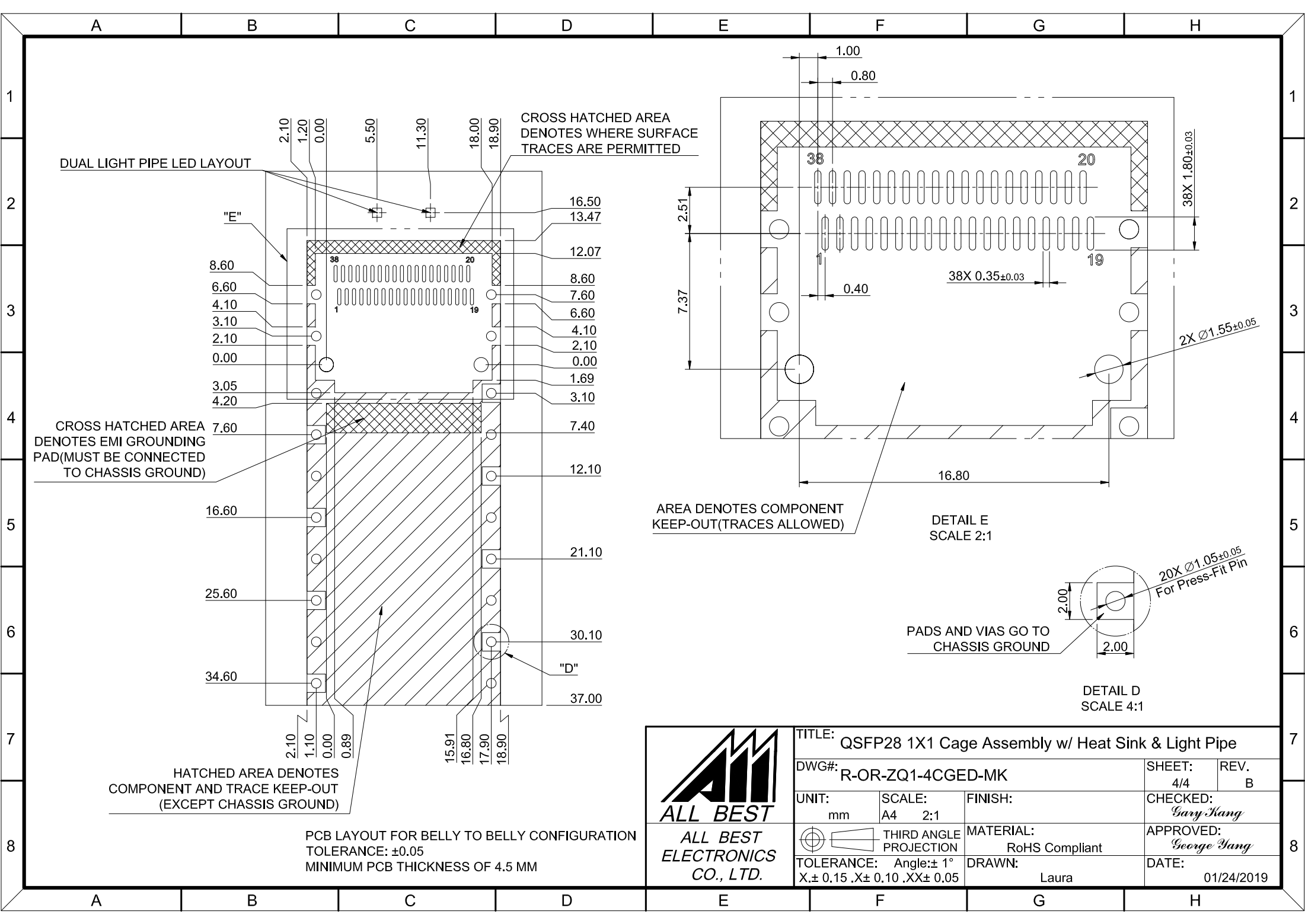
PADS AND VIAS GO TO CHASSIS GROUND

DETAIL B
SCALE 4:1

10X Ø1.05±0.05
For Press-Fit Pin



TITLE: QSFP28 1X1 Cage Assembly w/ Heat Sink & Light Pipe			
DWG#: R-OR-ZQ1-4CGED-MK		SHEET: 3/4	REV. B
UNIT: mm	SCALE: A4 2:1	FINISH:	CHECKED: Gary Yang
THIRD ANGLE PROJECTION		MATERIAL: RoHS Compliant	APPROVED: George Yang
TOLERANCE: X±0.15 .X±0.10 .XX±0.05		DRAWN: Laura	DATE: 01/24/2019



TITLE: QSFP28 1X1 Cage Assembly w/ Heat Sink & Light Pipe			
DWG#: R-OR-ZQ1-4CGED-MK		SHEET: 4/4	REV. B
UNIT: mm	SCALE: A4 2:1	CHECKED: Gary Yang	
THIRD ANGLE PROJECTION		MATERIAL: RoHS Compliant	APPROVED: George Yang
TOLERANCE: Angle: ±1° X: ±0.15 .X: ±0.10 .XX: ±0.05		DRAWN: Laura	DATE: 01/24/2019