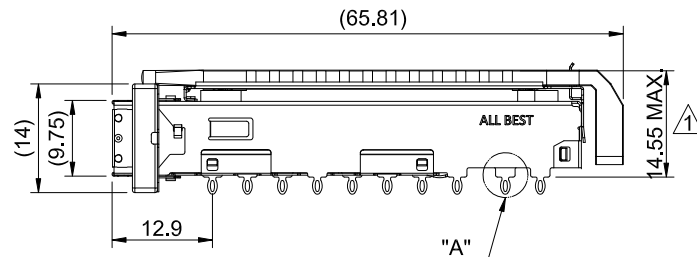
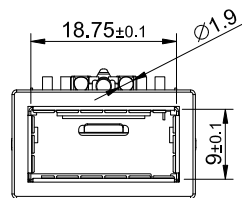
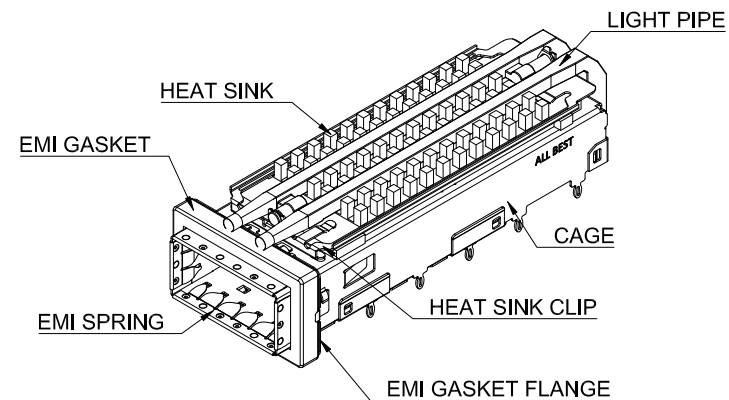


DETAIL A
SCALE 5:1



MATERIAL
 CAGE: NICKEL SILVER
 EMI SPRING: STAINLESS STEEL
 HEAT SINK: ALUMINUM
 HEAT SINK CLIP: STAINLESS STEEL
 LIGHT PIPE: PC
 EMI GASKET: CONDUCTIVE ELASTOMER
 EMI GASKET FLANGE: STAINLESS STEEL

FINISH
 HEAT SINK: ANODE PROCESS

NOTE
 ▲ DIMENSION APPLIES WITH MODULE INSERTED IN CAGE



TITLE: QSFP28 1X1 Cage w/ Heat Sink (PCI) & Light Pipe

DWG#: R-OR-ZQ1-4CGE5-MK

SHEET: 1/4
 REV. B

UNIT: mm
 SCALE: A4 1:1

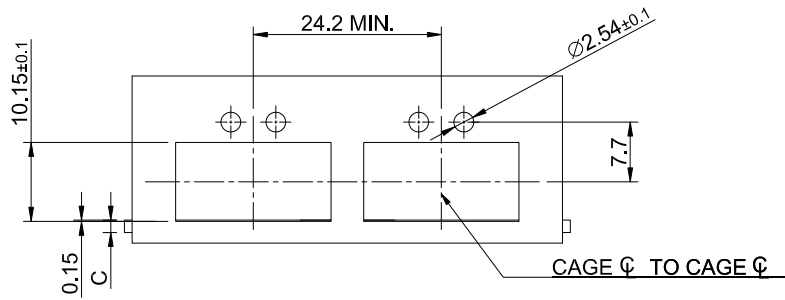
FINISH: CHECKED: Gary Yang

THIRD ANGLE PROJECTION

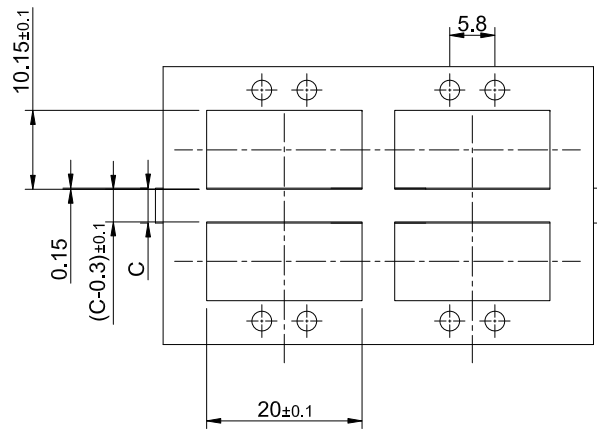
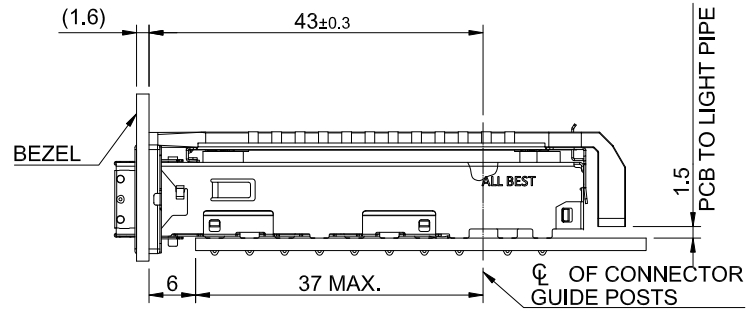
MATERIAL: RoHS Compliant
 APPROVED: George Yang

TOLERANCE: Angle: ± 1°
 X.± 0.25 .X± 0.20 .XX± 0.15

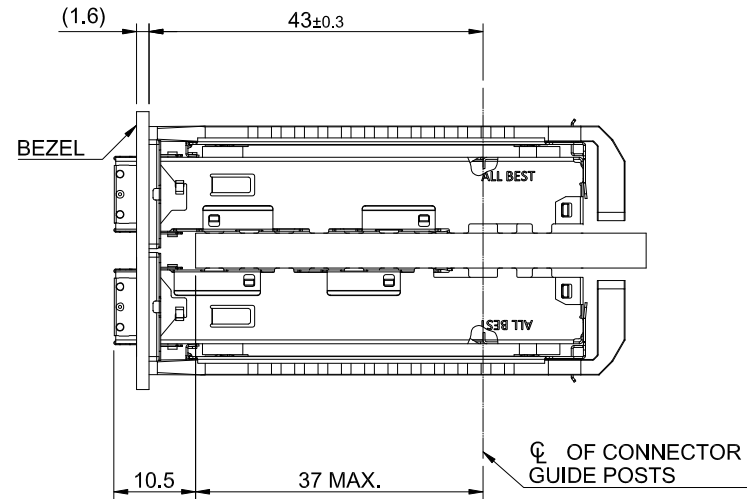
DRAWN: Kilin
 DATE: 02/20/2019



SINGLE-SIDE CONFIGURATION



BELLY TO BELLY CONFIGURATION



C = THICKNESS OF PC BOARD
 SINGLE-SIDE = 1.6MM (MIN.)
 BELLY TO BELLY = 4.5MM (MIN.)



TITLE: QSFP28 1X1 Cage w/ Heat Sink (PCI) & Light Pipe

DWG#: R-OR-ZQ1-4CGE5-MK

SHEET: 2/4
 REV. B

UNIT: mm
 SCALE: A4 1:1

FINISH:

CHECKED: Gary Heng

THIRD ANGLE PROJECTION

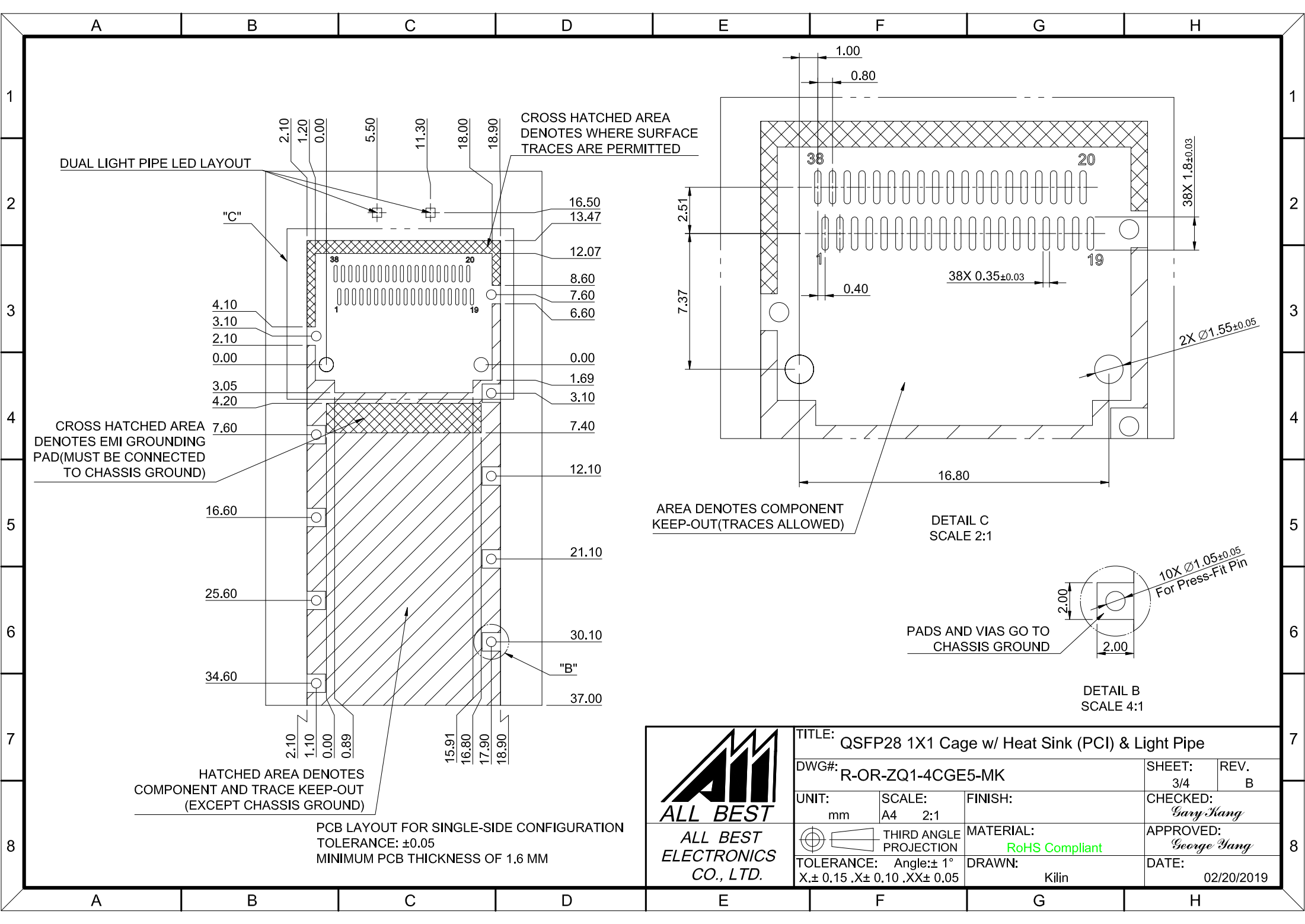
MATERIAL: RoHS Compliant

APPROVED: George Yang

TOLERANCE: Angle: ± 1°
 X.± 0.15 .X± 0.10 .XX± 0.05

DRAWN: Kilin

DATE: 02/20/2019



DUAL LIGHT PIPE LED LAYOUT

CROSS HATCHED AREA DENOTES WHERE SURFACE TRACES ARE PERMITTED

CROSS HATCHED AREA DENOTES EMI GROUNDING PAD (MUST BE CONNECTED TO CHASSIS GROUND)

HATCHED AREA DENOTES COMPONENT AND TRACE KEEP-OUT (EXCEPT CHASSIS GROUND)

PCB LAYOUT FOR SINGLE-SIDE CONFIGURATION
TOLERANCE: ±0.05
MINIMUM PCB THICKNESS OF 1.6 MM

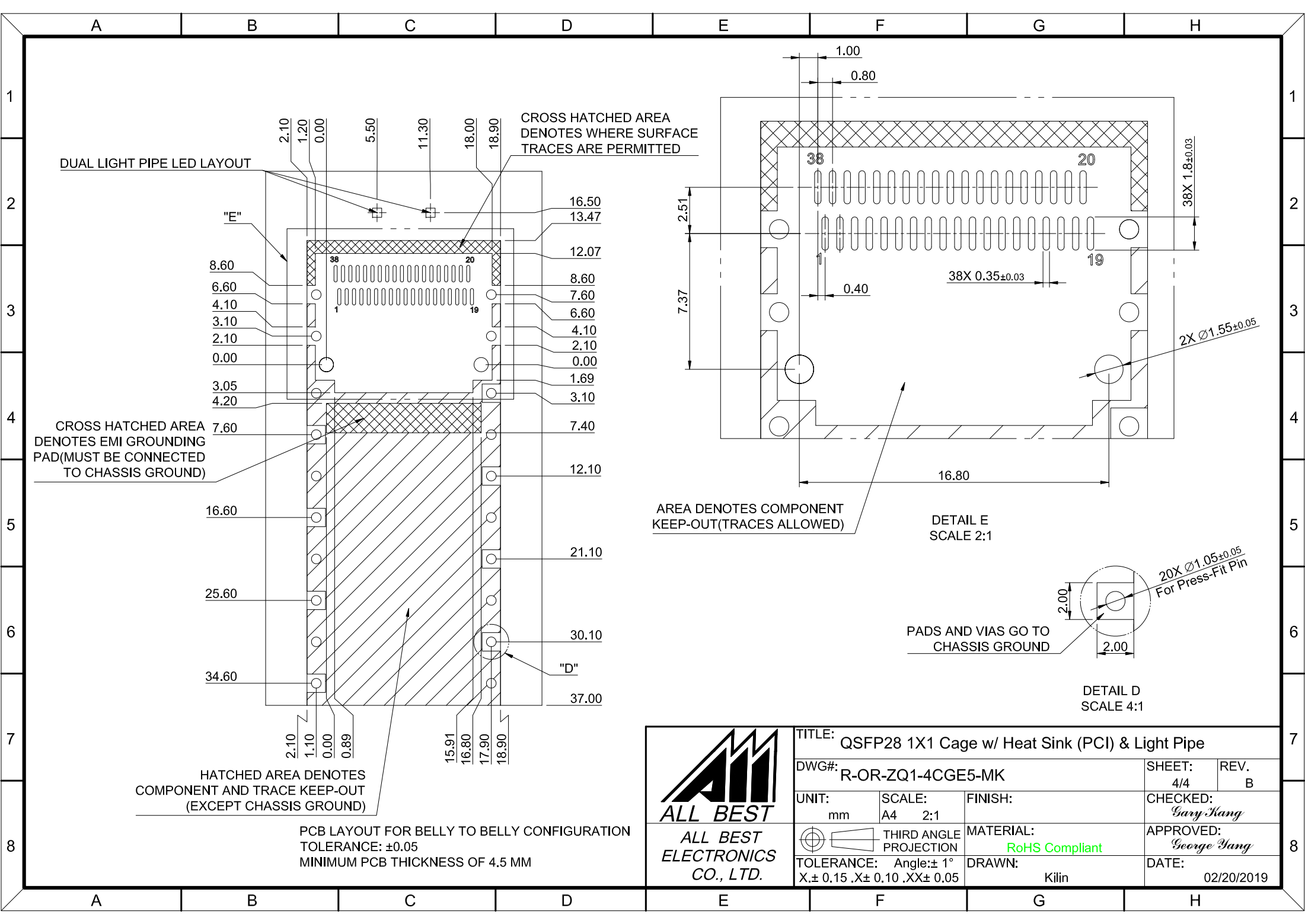
AREA DENOTES COMPONENT KEEP-OUT (TRACES ALLOWED)

DETAIL C
SCALE 2:1

PADS AND VIAS GO TO CHASSIS GROUND

DETAIL B
SCALE 4:1

<p>ALL BEST ALL BEST ELECTRONICS CO., LTD.</p>	TITLE: QSFP28 1X1 Cage w/ Heat Sink (PCI) & Light Pipe		SHEET: 3/4		REV. B	
	DWG#: R-OR-ZQ1-4CGE5-MK		CHECKED: Gary Yang		APPROVED: George Yang	
	UNIT: mm	SCALE: A4 2:1	FINISH:	MATERIAL: RoHS Compliant		
	TOLERANCE: X±0.15 .X±0.10 .XX±0.05		THIRD ANGLE PROJECTION	DRAWN: Kilin	DATE: 02/20/2019	



HATCHED AREA DENOTES COMPONENT AND TRACE KEEP-OUT (EXCEPT CHASSIS GROUND)

PCB LAYOUT FOR BELLY TO BELLY CONFIGURATION
 TOLERANCE: ±0.05
 MINIMUM PCB THICKNESS OF 4.5 MM



TITLE: QSFP28 1X1 Cage w/ Heat Sink (PCI) & Light Pipe			
DWG#: R-OR-ZQ1-4CGE5-MK		SHEET: 4/4	REV. B
UNIT: mm	SCALE: A4 2:1	FINISH:	CHECKED: Gary Yang
THIRD ANGLE PROJECTION		MATERIAL: RoHS Compliant	APPROVED: George Yang
TOLERANCE: Angle: ±1° X.± 0.15 .X± 0.10 .XX± 0.05		DRAWN: Kilin	DATE: 02/20/2019