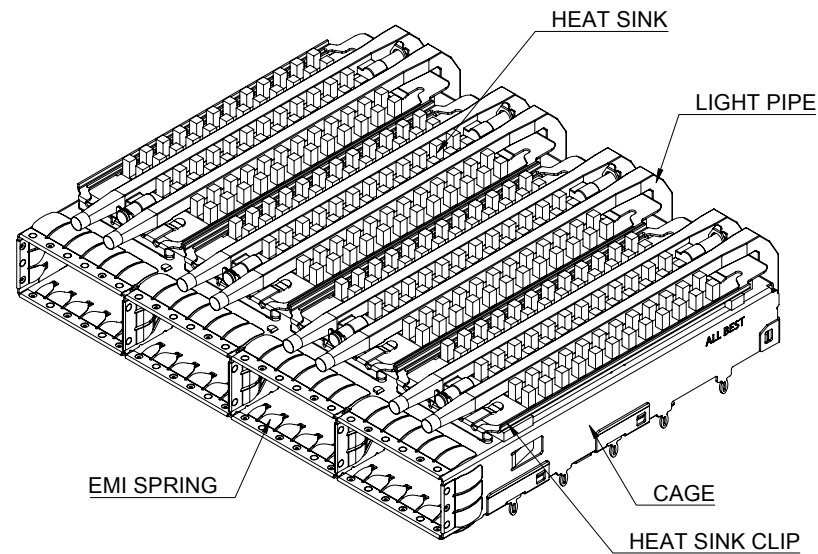
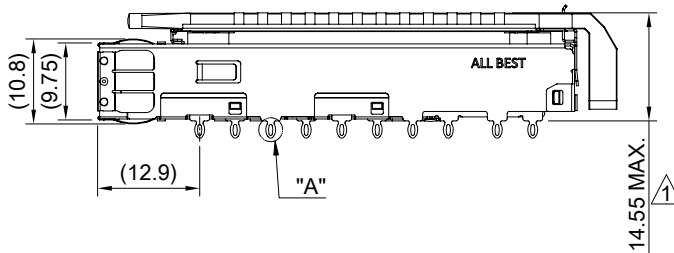


DETAIL A
SCALE 4:1



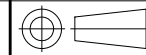
MATERIAL
 CAGE: NICKEL SILVER
 HEAT SINK: ALUMINUM
 HEAT SINK CLIP: STAINLESS STEEL
 EMI SPRING: STAINLESS STEEL
 LIGHT PIPE: PC

FINISH
 HEAT SINK: ANODE PROCESS

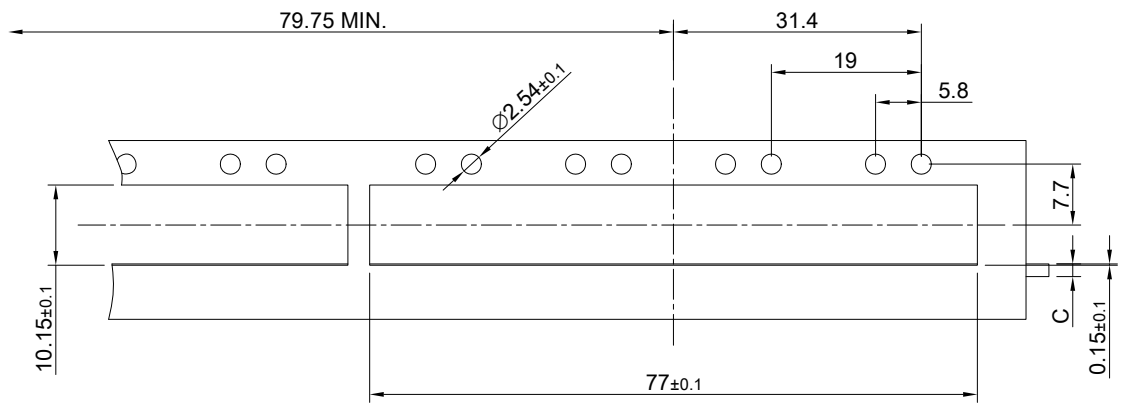
NOTE
 1 DIMENSION APPLIES WITH MODULE INSERTED IN CAGE



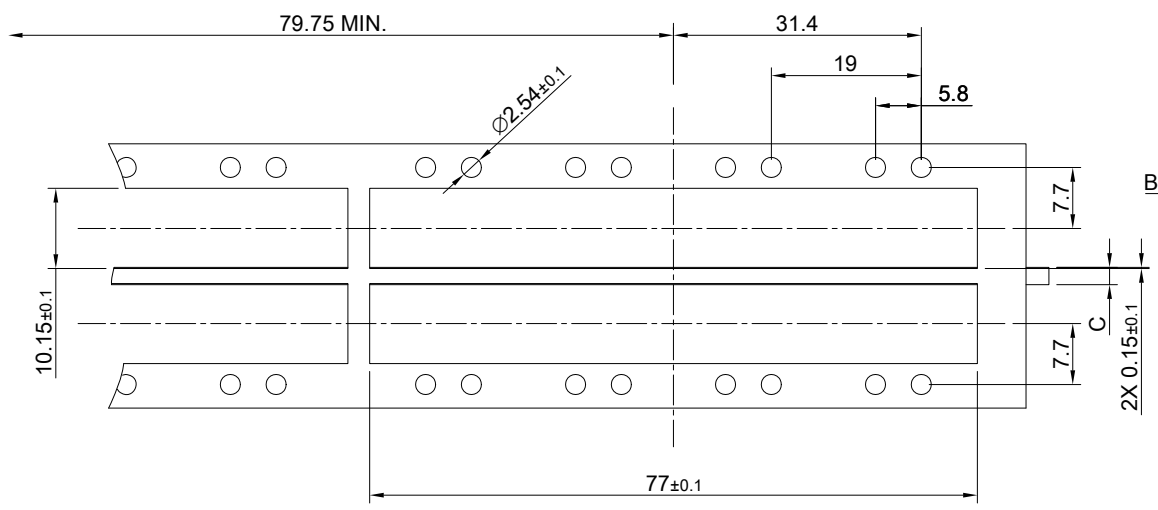
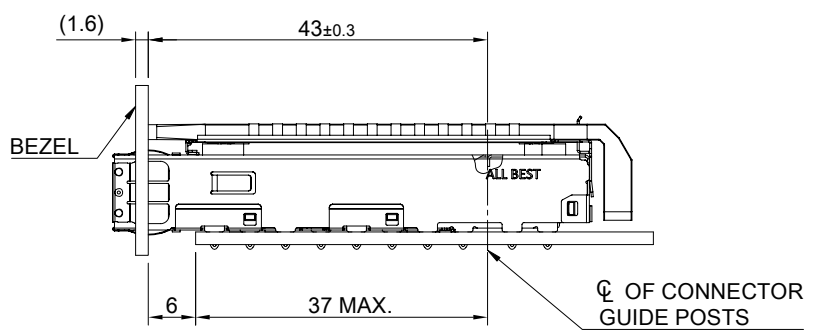
TITLE: QSFP28 1X4 Cage Assembly w/ PCI Heat Sink & Light Pipe			
DWG#: R-OR-ZQ4-4CME5-MK		SHEET: 1/4	REV. B
UNIT: mm	SCALE: A4 1:1	CHECKED: Gary Kang	
THIRD ANGLE PROJECTION		APPROVED: George Yang	
TOLERANCE: Angle: ± 1°		DRAWN: Jason Zhao	DATE: 09/27/2021
X ± 0.25 .X ± 0.20 .XX ± 0.15			



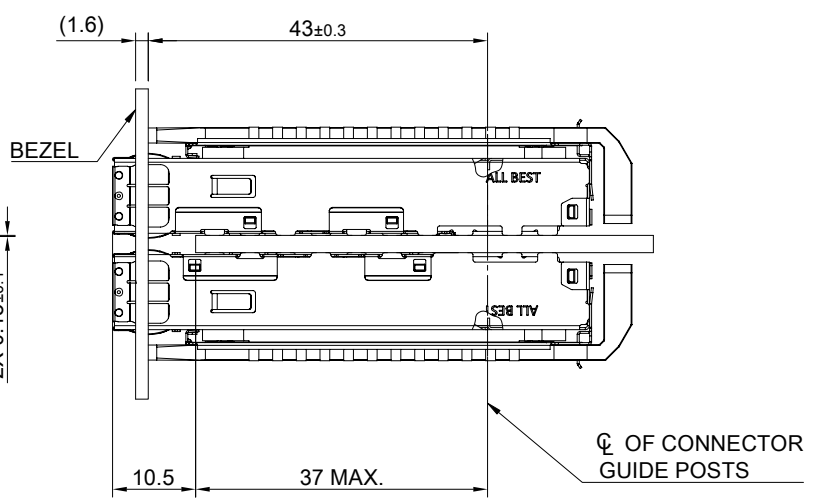
MATERIAL:
 RoHS Compliant



SINGLE-SIDE CONFIGURATION



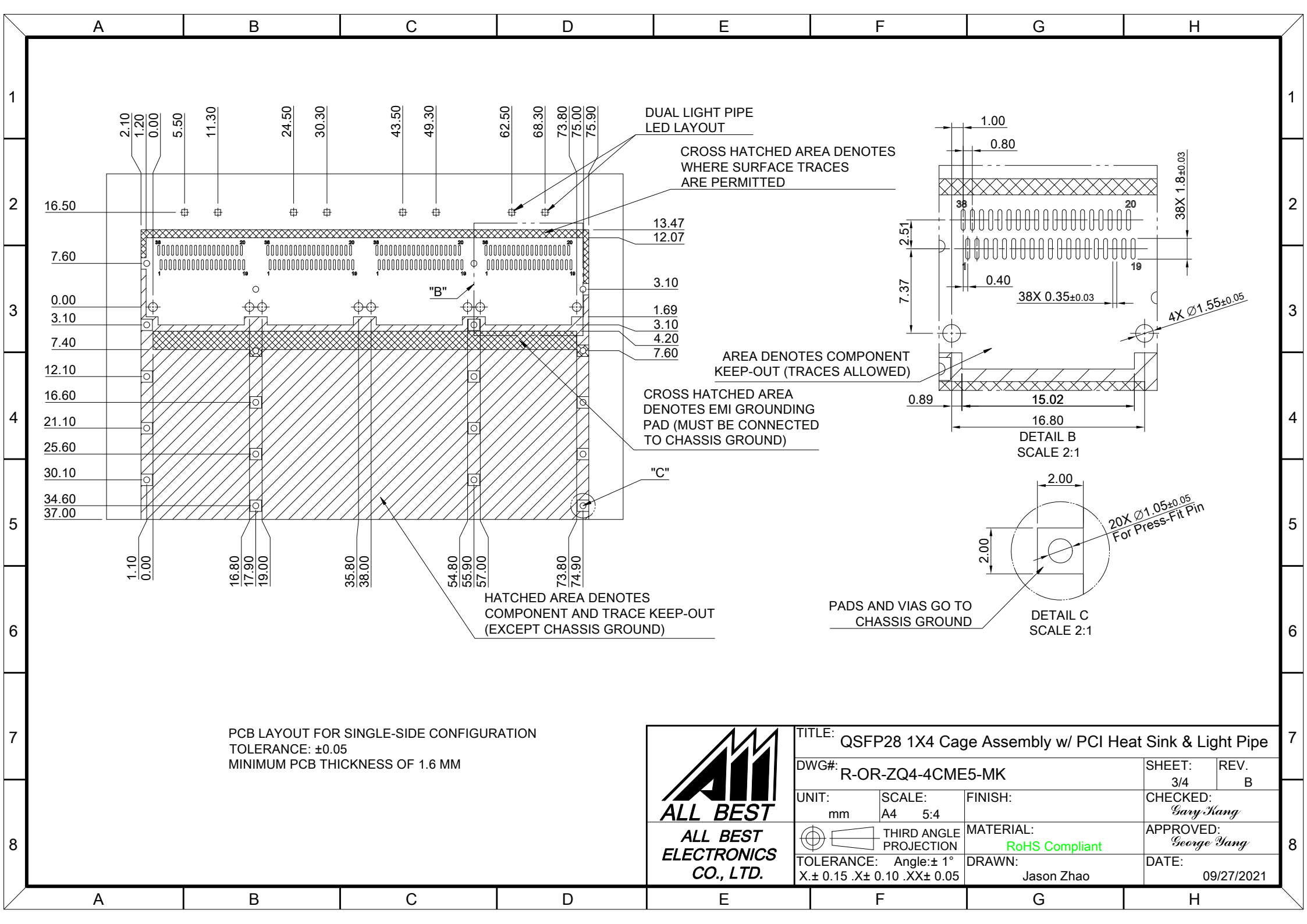
BELLY TO BELLY CONFIGURATION





C = THICKNESS OF PC BOARD
 SINGLE-SIDE = 1.6MM (MIN.)
 BELLY TO BELLY = 2.2MM (MIN.)

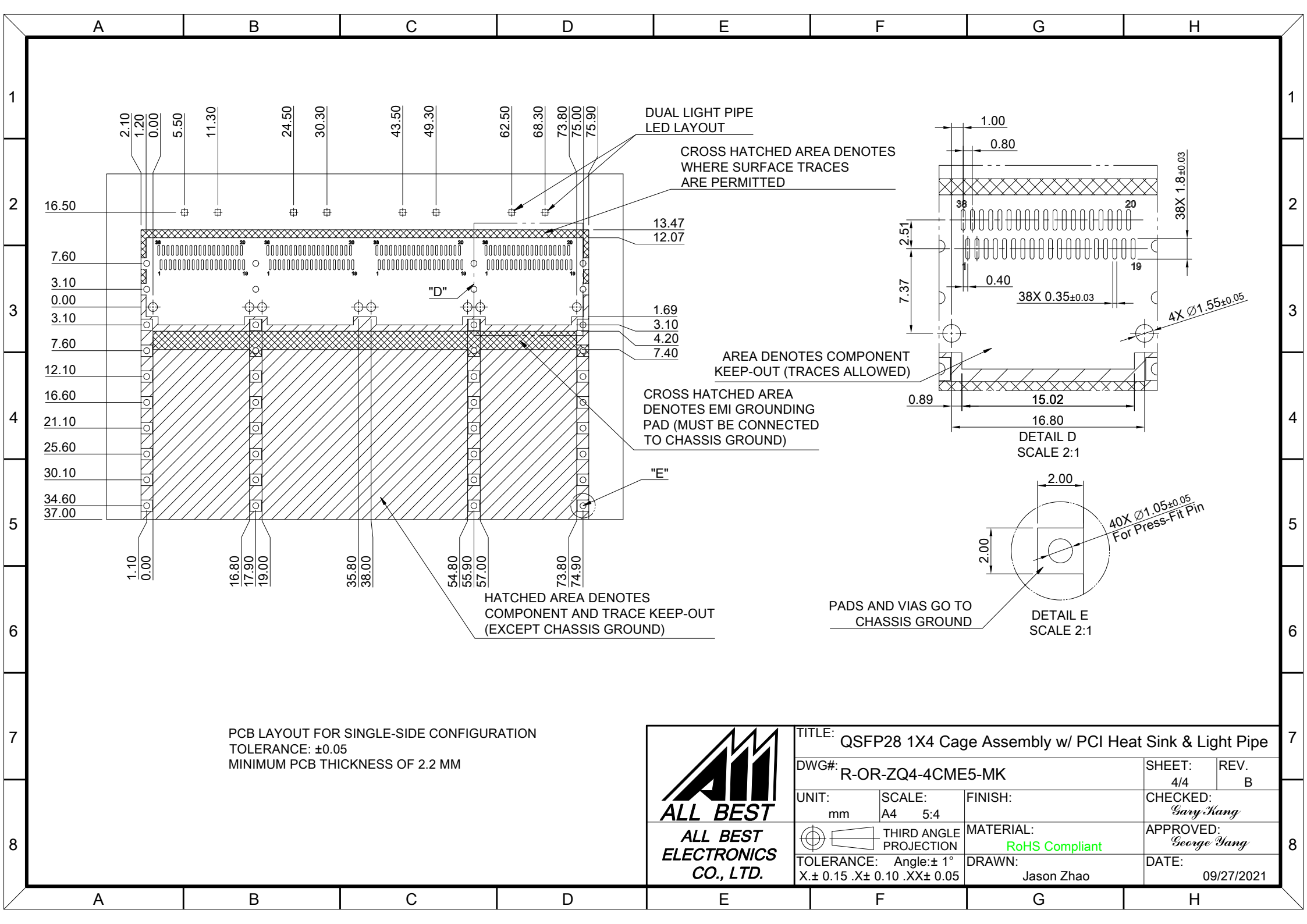


TITLE: QSFP28 1X4 Cage Assembly w/ PCI Heat Sink & Light Pipe			
DWG#: R-OR-ZQ4-4CME5-MK			SHEET: 2/4
UNIT: mm			REV: B
SCALE: A4 1:1	FINISH:		CHECKED: Gary Kang
THIRD ANGLE PROJECTION		MATERIAL: RoHS Compliant	APPROVED: George Yang
TOLERANCE: Angle: ± 1°		DRAWN: Jason Zhao	DATE: 09/27/2021
X ± 0.15 .X ± 0.10 .XX ± 0.05			





PCB LAYOUT FOR SINGLE-SIDE CONFIGURATION
 TOLERANCE: ± 0.05
 MINIMUM PCB THICKNESS OF 1.6 MM

 ALL BEST ELECTRONICS CO., LTD.		TITLE: QSFP28 1X4 Cage Assembly w/ PCI Heat Sink & Light Pipe	
		DWG#: R-OR-ZQ4-4CME5-MK	
UNIT: mm	SCALE: A4 5:4	FINISH:	SHEET: 3/4
 THIRD ANGLE PROJECTION		MATERIAL: RoHS Compliant	REV: B
TOLERANCE: Angle: $\pm 1^\circ$ X: ± 0.15 .X: ± 0.10 .XX: ± 0.05		DRAWN: Jason Zhao	CHECKED: <i>Gary Kang</i>
		DATE: 09/27/2021	APPROVED: <i>George Yang</i>



PCB LAYOUT FOR SINGLE-SIDE CONFIGURATION
 TOLERANCE: ±0.05
 MINIMUM PCB THICKNESS OF 2.2 MM

 ALL BEST ELECTRONICS CO., LTD.		TITLE: QSFP28 1X4 Cage Assembly w/ PCI Heat Sink & Light Pipe	
		DWG#: R-OR-ZQ4-4CME5-MK	
UNIT: mm	SCALE: A4 5:4	FINISH:	SHEET: 4/4
 THIRD ANGLE PROJECTION		MATERIAL: RoHS Compliant	REV: B
TOLERANCE: Angle: ± 1°		DRAWN: Jason Zhao	CHECKED: <i>Gary Kang</i>
X: ± 0.15 .X: ± 0.10 .XX: ± 0.05		DATE: 09/27/2021	APPROVED: <i>George Yang</i>