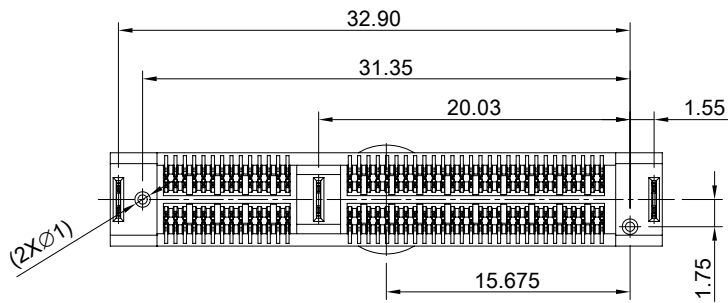


MATERIAL
 CONTACTS AND HOLE DOWNS: COPPER ALLOY
 INSULATOR: LCP THERMOPLASTIC 94V-0

FINISH
 CONTACTS: GOLD FLASH ON MATING END;
 100µ" MIN. MATTE TIN ON SOLDER FOOT AREA
 ALL UNDERPLATED NICKEL

ELECTRICAL CHARACTERISTICS
 CONTACT CURRENT RATING: 3.6 A PER PIN
 VOLTAGE RATING: 175 VAC
 MAX CYCLES: 100

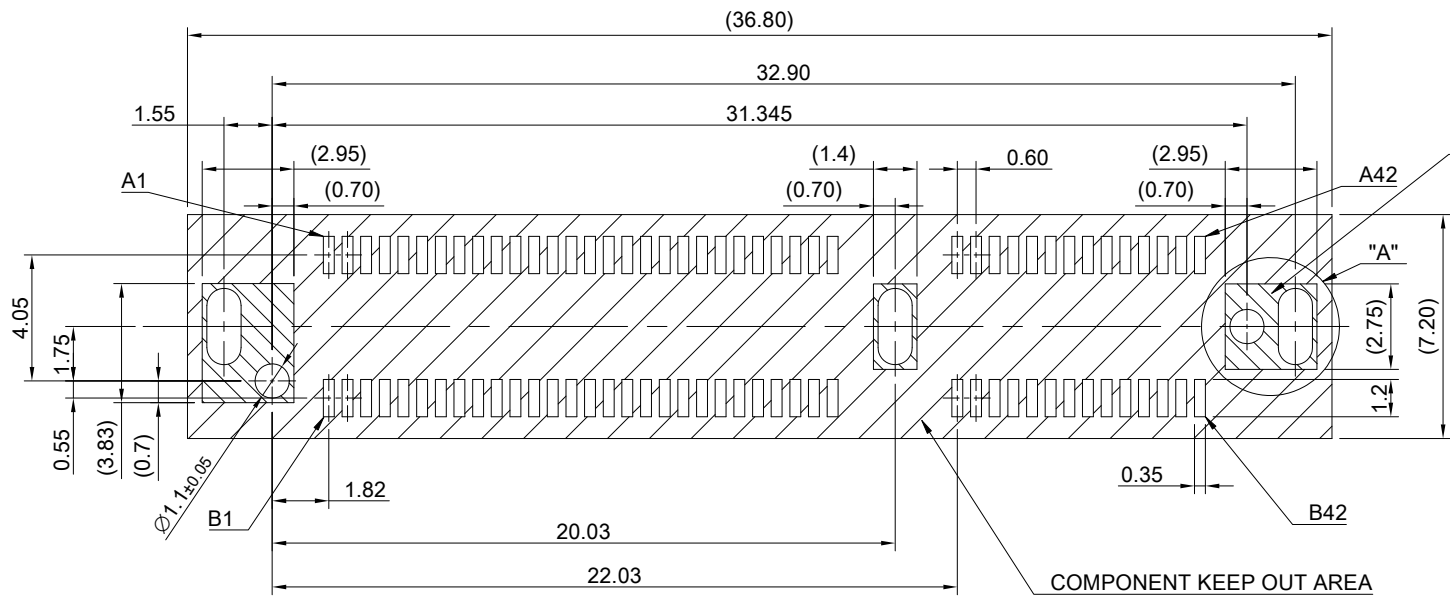
ENVIRONMENT
 OPERATION TEMPERATURE: -55°C TO 125°C
 SMT TEMPERATURE: 260°C



THIS PRINT IS
PRELIMINARY
 UNQUALIFIED PRODUCT
 CONTACT PRODUCT ENGINEERING
 BEFORE USING THIS PRINT

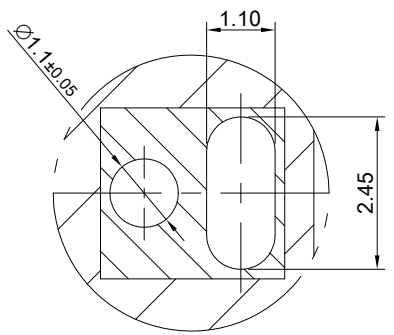


TITLE: PCIE-Gen Z 2C 84Pin Straight Connector		SHEET: 1/2		REV. REF	
DWG#: R-CT-GZ5-8AXX		CHECKED:		APPROVED:	
UNIT: mm	SCALE: A4 2:1	FINISH:		MATERIAL: RoHS Compliant	
TOLERANCE: Angle: ± 1° X ± 0.25 .X ± 0.20 .XX ± 0.15		DRAWN: Judy		DATE: 03/29/2024	



COMPONENT AND TRACE KEEP OUT AREA

COMPONENT KEEP OUT AREA



DETAIL A
SCALE 2:1

THIS PRINT IS
PRELIMINARY
UNQUALIFIED PRODUCT
CONTACT PRODUCT ENGINEERING
BEFORE USING THIS PRINT



TITLE: PCIe-Gen Z 2C 84Pin Straight Connector			
DWG#: R-CT-GZ5-8AXX		SHEET: 2/2	REV. REF
UNIT: mm	SCALE: A4 4:1	FINISH:	CHECKED:
TOLERANCE: Angle: ± 1° X ± 0.15 .X ± 0.10 .XX ± 0.05		MATERIAL: RoHS Compliant	APPROVED:
THIRD ANGLE PROJECTION		DRAWN: Judy	DATE: 03/29/2024