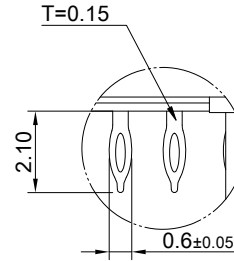
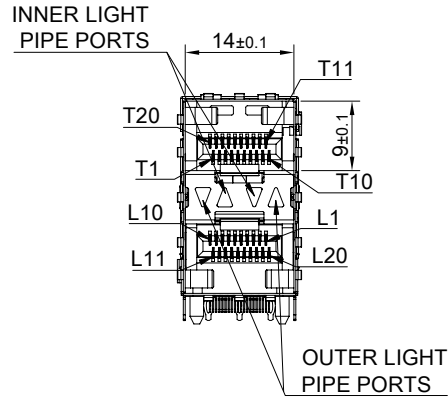
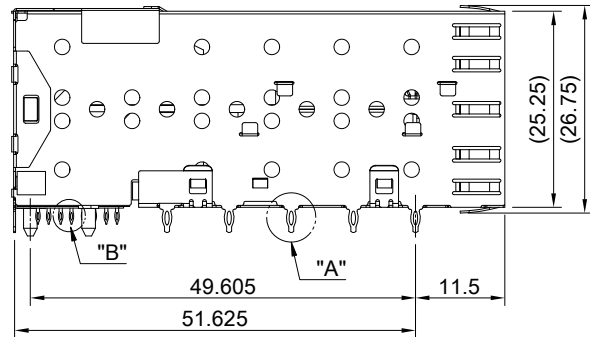
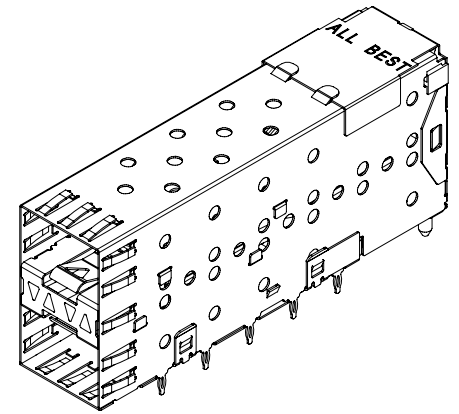


DETAIL A
SCALE: 5:1



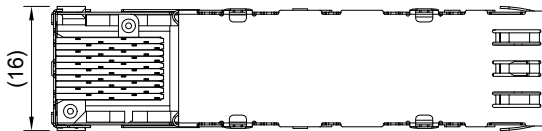
DETAIL B
SCALE: 5:1



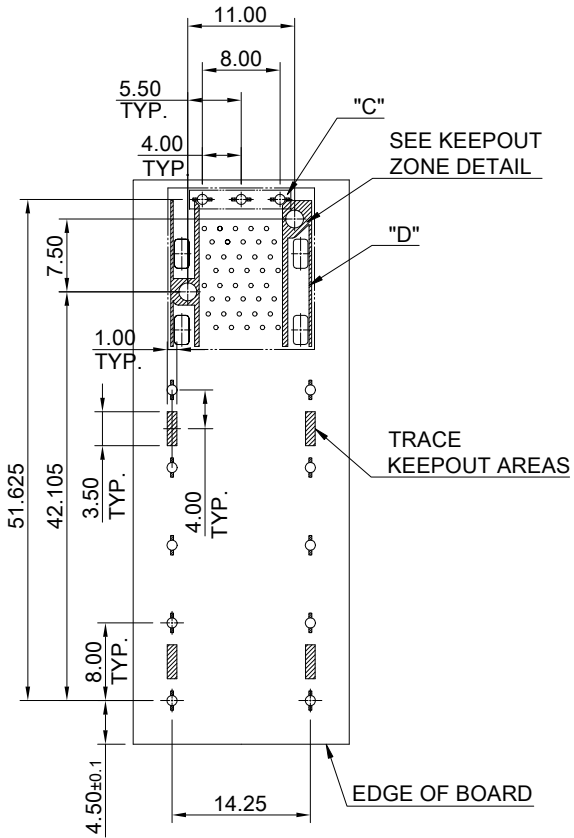
MATERIAL
 CAGE: NICKEL SILVER
 LIGHT PIPE: PC (CLEAR)
 CONNECTOR: PA9T 94V-0 (BLACK)
 LCP 94V-0 (DARK GRAY)
 COPPER ALLOY

FINISH
 CONTACT: 15µ" MIN. GOLD ON MATING END;
 30µ" MIN. MATTE TIN ON TERMINATION END;
 ALL UNDERPLATED 50µ" MIN. NICKEL

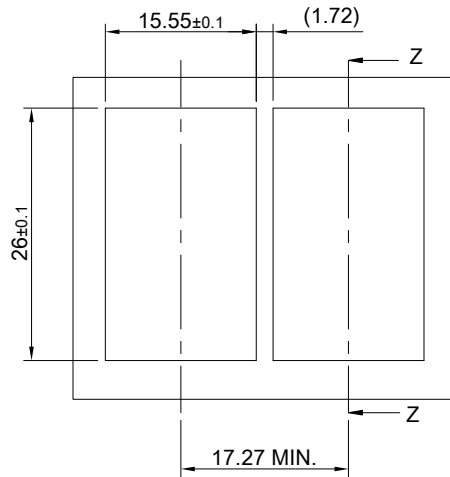
ELECTRICAL CHARACTERISTICS
 CONTACT CURRENT RATING: 0.5 AMPERE
 VOLTAGE RATING: 30 VAC
 CONTACT RESISTANCE: 80 mΩ MAX.
 DIELECTRIC WITHSTANDING VOLTAGE: 300VAC



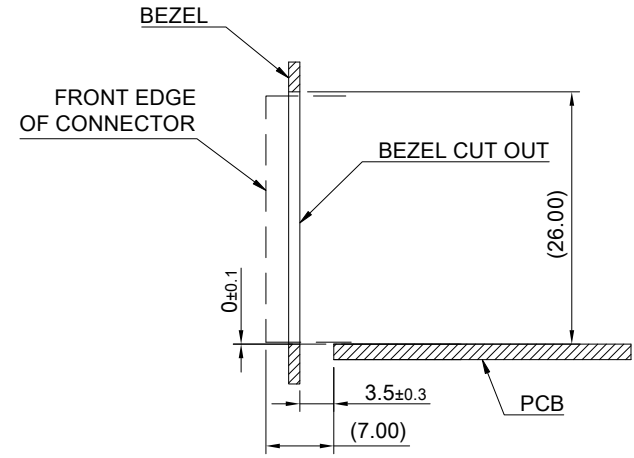
	TITLE: Transformed SFP 2X1 w/ Light Pipe		
	DWG#: R-DP-008040-7-F-N-18		SHEET: 1/3
	UNIT: mm	SCALE: A4 1:1	REV. D
	THIRD ANGLE PROJECTION TOLERANCE: Angle: ± 1° X.± 0.25 .X± 0.20 .XX± 0.15		CHECKED: Gary Yang
MATERIAL: RoHS Compliant		APPROVED: George Yang	
DRAWN: Howard		DATE: 10/21/2021	



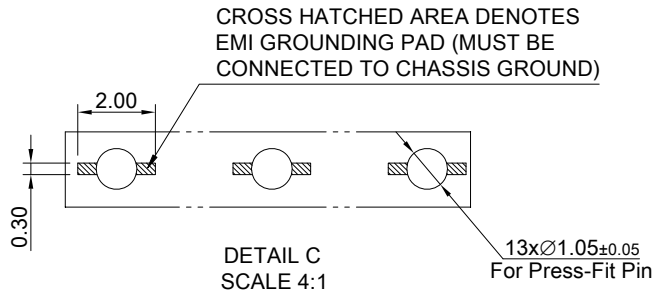
RECOMMENDED PCB LAYOUT
TOLERANCE: ±0.05
MINIMUM PCB THICKNESS OF 1.57MM



RECOMMENDED BEZEL CUT-OUT SPACING DETAIL
BEZEL THICKNESS 0.8~2.6MM

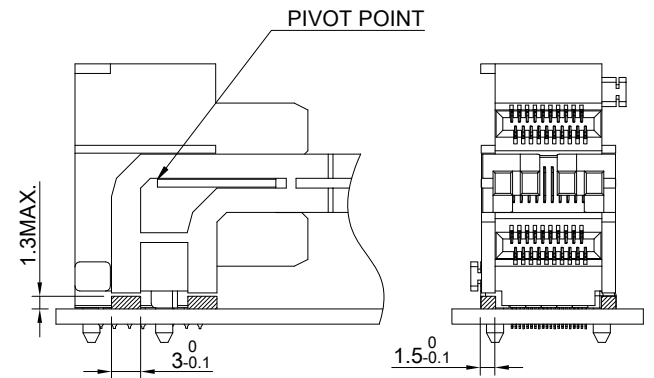


SECTION Z-Z



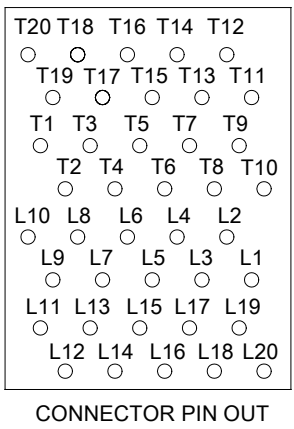
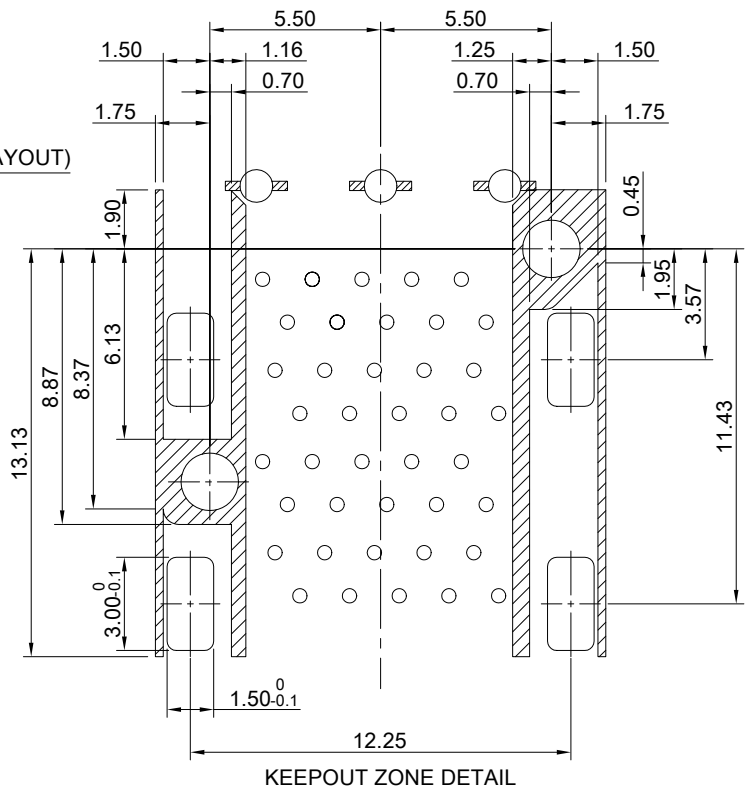
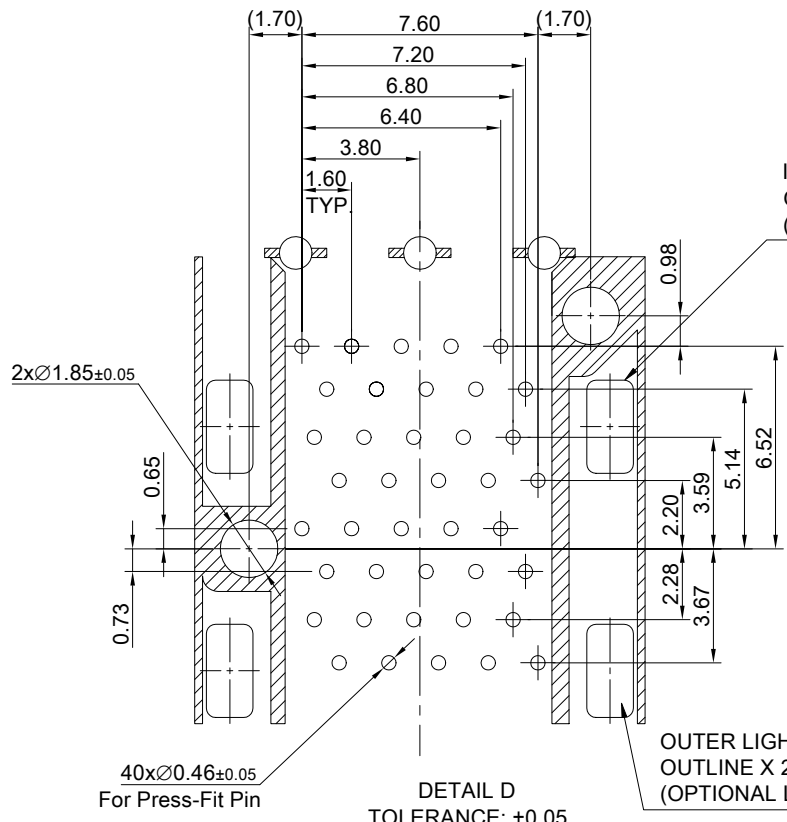
DETAIL C
SCALE 4:1

13xØ1.05±0.05
For Press-Fit Pin



LED CLEARANCE REQUIREMENTS

<p>ALL BEST ALL BEST ELECTRONICS CO., LTD.</p>	TITLE: Transformed SFP 2X1 w/ Light Pipe		SHEET: 2/3	REV. D
	DWG#: R-DP-008040-7-F-N-18		CHECKED: Gary Yang	
	UNIT: mm	SCALE: A4 5:4	FINISH:	APPROVED: George Yang
	TOLERANCE: Angle: ± 1° X: ± 0.15 .X: ± 0.10 .XX: ± 0.05		MATERIAL: RoHS Compliant	DATE: 10/21/2021
		THIRD ANGLE PROJECTION	DRAWN: Howard	



CONNECTOR PIN OUT

<p>ALL BEST ELECTRONICS CO., LTD.</p>	TITLE: Transformed SFP 2X1 w/ Light Pipe		SHEET: 3/3	REV. D
	DWG#: R-DP-008040-7-F-N-18		CHECKED: Gary Yang	
	UNIT: mm	SCALE: A4 4:1	FINISH:	APPROVED: George Yang
	TOLERANCE: Angle: ± 1° X ± 0.15 .X ± 0.10 .XX ± 0.05		MATERIAL: RoHS Compliant	DATE: 10/21/2021
<p>THIRD ANGLE PROJECTION</p>		DRAWN: Howard		