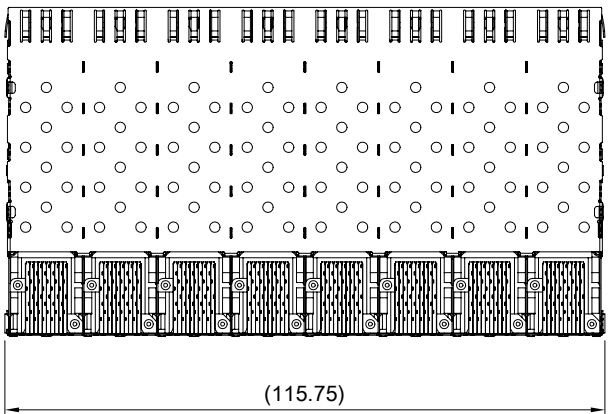
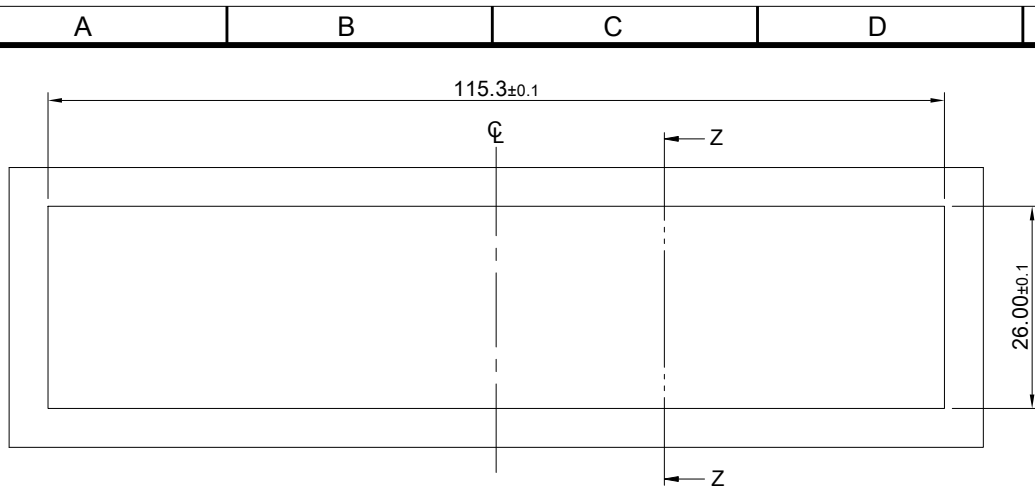


MATERIAL
 CAGE: NICKEL SILVER
 CONNECTOR: PA9T 94V-0 (BLACK)
 LCP 94V-0 (DARK GRAY)
 COPPER ALLOY
 LIGHT PIPE: PC (CLEAR)
 FINISH
 CONTACT: 15µ" MIN. GOLD ON MATING END;
 30µ" MIN. MATTE TIN ON TERMINATION END;
 ALL UNDERPLATED 50µ" MIN. NICKEL

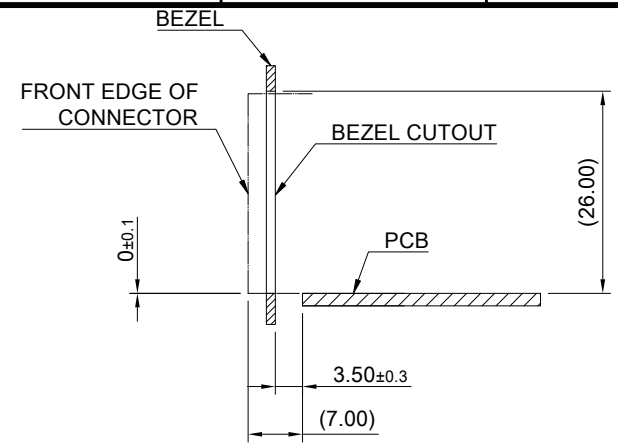
ELECTRICAL CHARACTERISTICS
 CONTACT CURRENT RATING: 0.5 AMPERE
 VOLTAGE RATING: 30 VAC
 CONTACT RESISTANCE: 80 mΩ MAX.
 DIELECTRIC WITHSTANDING VOLTAGE: 300VAC



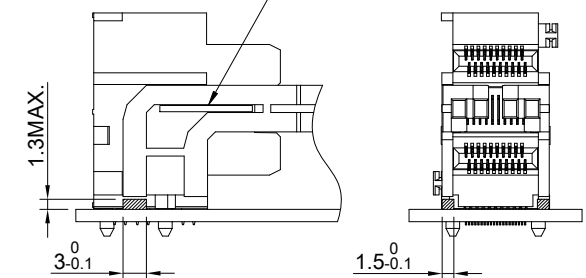
 ALL BEST ELECTRONICS CO., LTD.	TITLE: Transformed SFP 2X8 w/ Light Pipe		SHEET: 1/3	REV. C
	DWG#: R-OP-008320-7-F-N-20		CHECKED: Gary Kang	
	UNIT: mm	SCALE: A4 2:3	APPROVED: George Yang	
	TOLERANCE: Angle: ± 1° X ± 0.25 .X ± 0.20 .XX ± 0.15		MATERIAL: RoHS Compliant	DATE: 04/08/2022
		THIRD ANGLE PROJECTION	DRAWN: Laura	



RECOMMENDED BEZEL CUT-OUT SPACING DETAIL
BEZEL THICKNESS 0.8~2.6MM

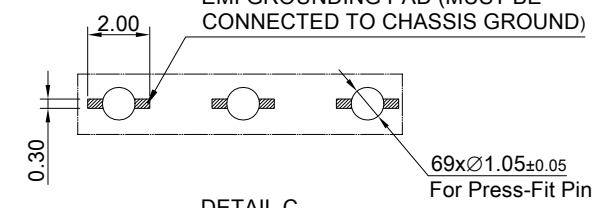


SECTION Z-Z
PIVOT POINT

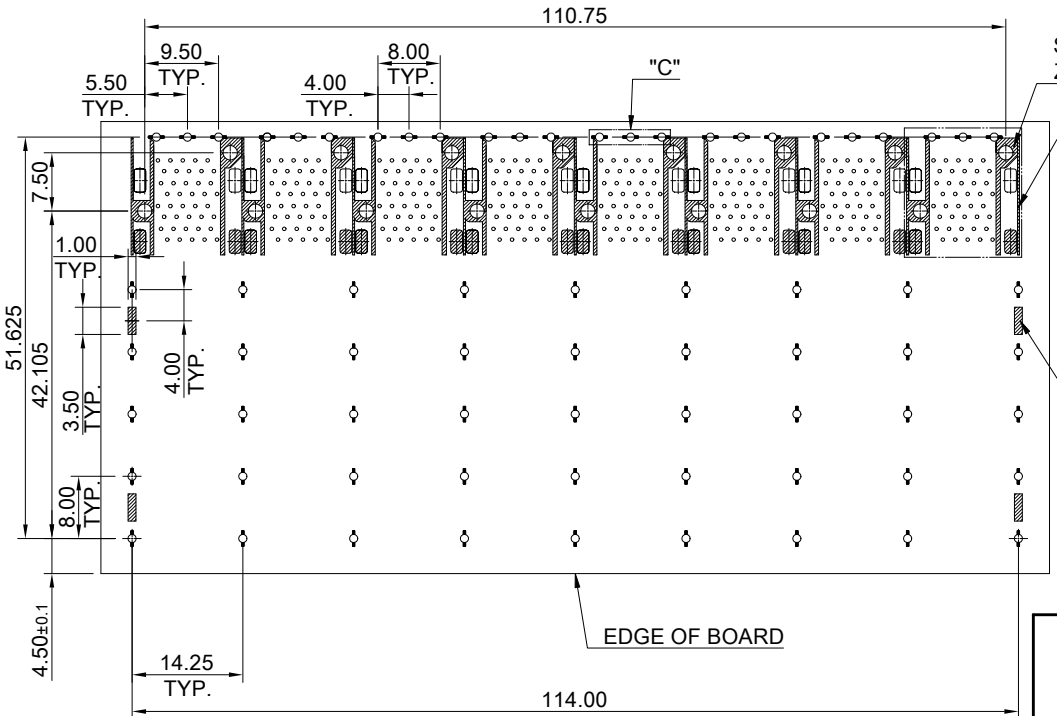


LED CLEARANCE REQUIREMENTS

CROSS HATCHED AREA DENOTES
EMI GROUNDING PAD (MUST BE
CONNECTED TO CHASSIS GROUND)



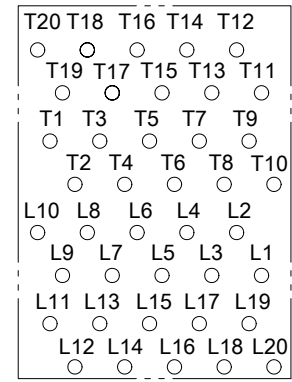
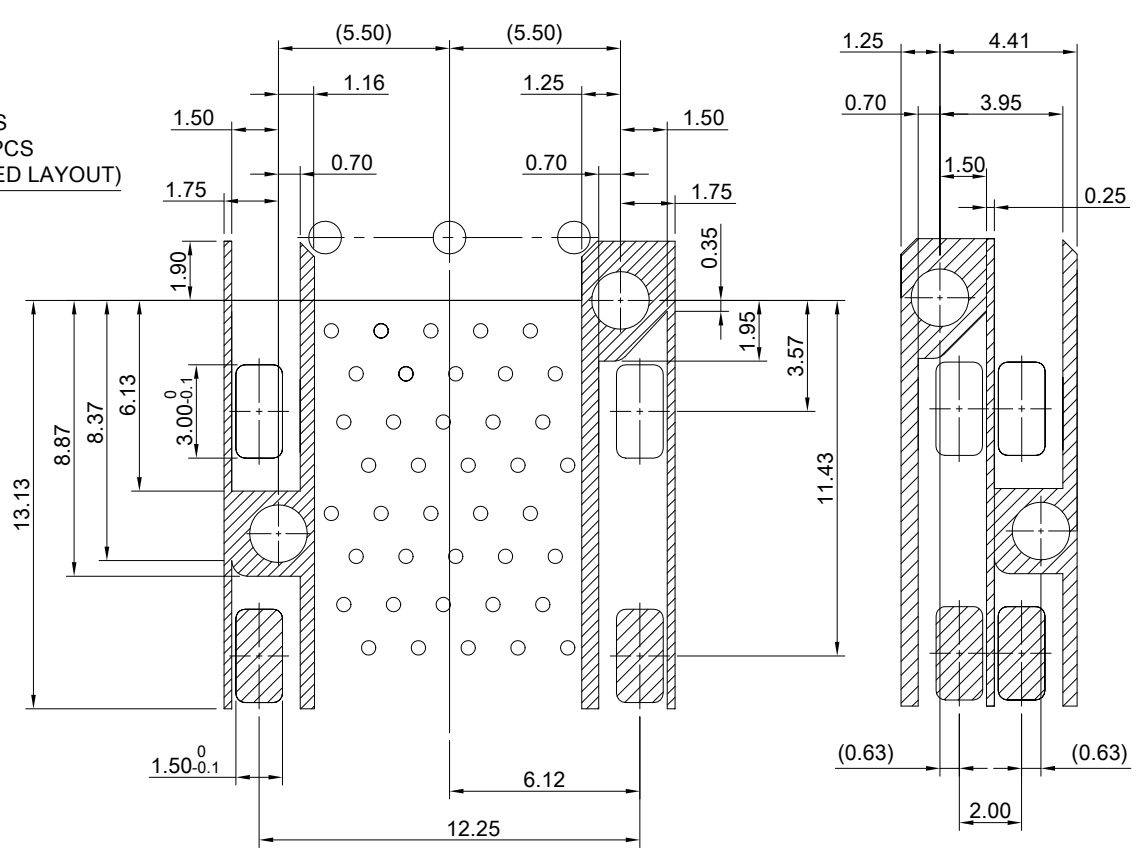
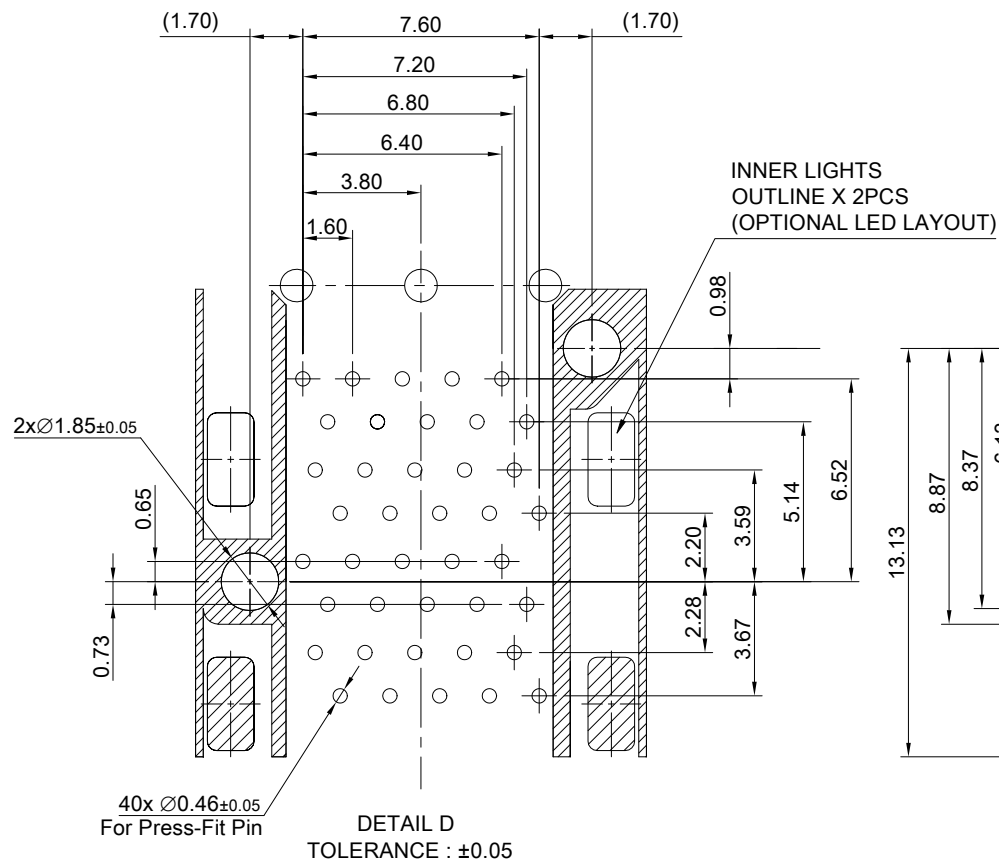
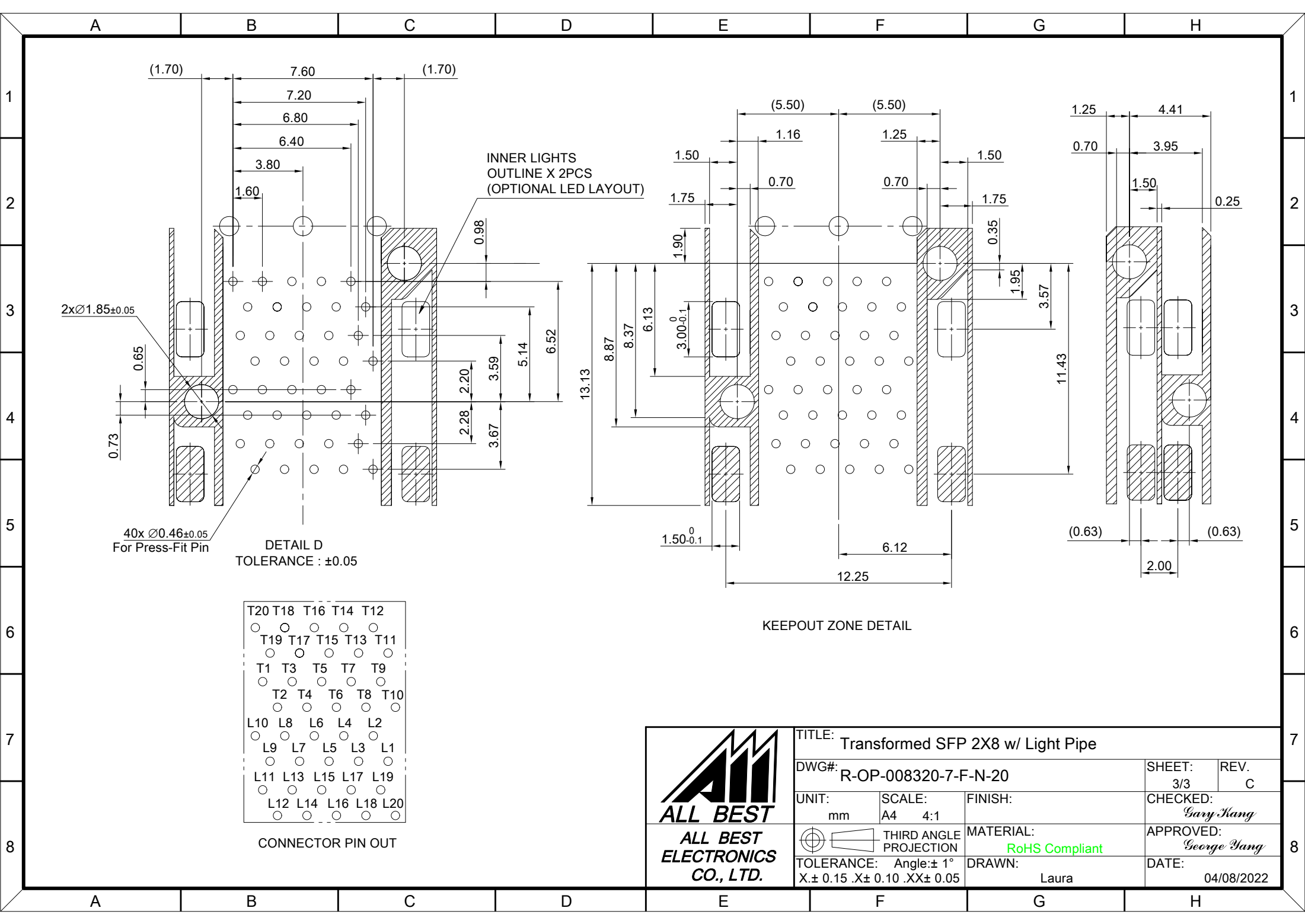
DETAIL C
SCALE 4:1



RECOMMENDED PCB LAYOUT-COMPONENT SIDE
RECOMMENDED PCB THICKNESS- 1.57 MM
THE ENTIRE AREA OF THE KEEPOUT AREA FOR COMPONENTS
(OTHER THAN LIGHT PIPE LED'S)
THIS AREA IS INDICATED BY THE DASHED LINE



TITLE: Transformed SFP 2X8 w/ Light Pipe			
DWG#: R-OP-008320-7-F-N-20		SHEET: 2/3	REV. C
UNIT: mm	SCALE: A4 1:1	CHECKED: Gary Kang	
THIRD ANGLE PROJECTION		APPROVED: George Yang	
TOLERANCE: Angle: ± 1°		DATE: 04/08/2022	
X.± 0.15 .X± 0.10 .XX± 0.05		DRAWN: Laura	



CONNECTOR PIN OUT

<p>ALL BEST ELECTRONICS CO., LTD.</p>	TITLE: Transformed SFP 2X8 w/ Light Pipe			
	DWG#: R-OP-008320-7-F-N-20		SHEET: 3/3	REV. C
	UNIT: mm	SCALE: A4 4:1	FINISH:	CHECKED: Gary Kang
	THIRD ANGLE PROJECTION TOLERANCE: Angle: $\pm 1^\circ$ X: ± 0.15 .X: ± 0.10 .XX: ± 0.05		MATERIAL: RoHS Compliant	APPROVED: George Yang
DRAWN: Laura			DATE: 04/08/2022	