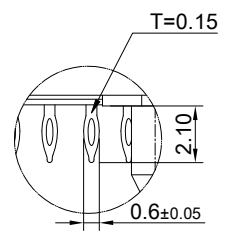
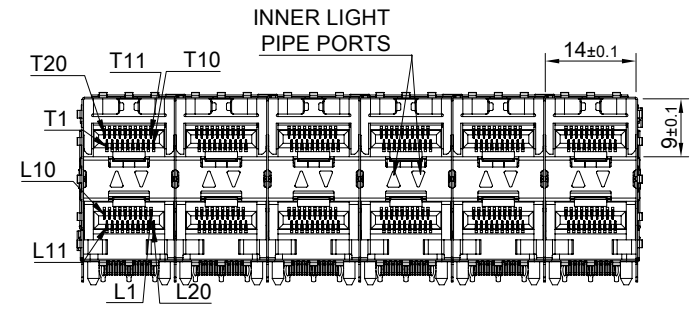
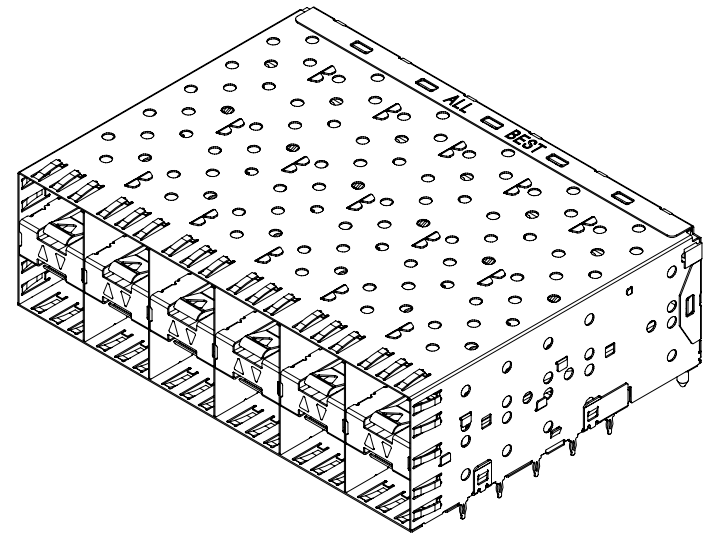


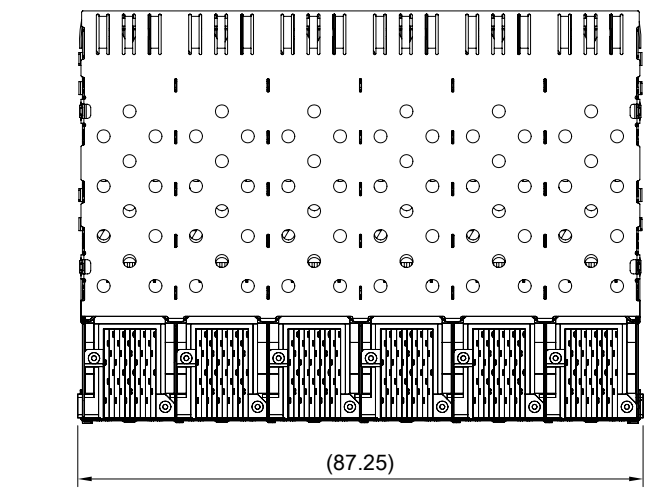
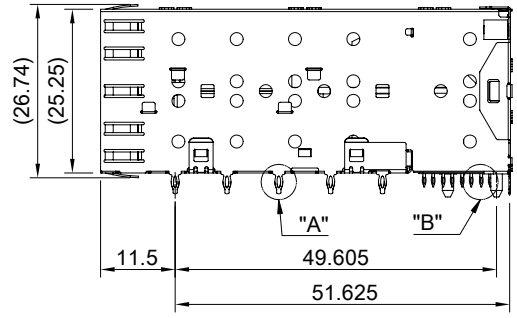
DETAIL A  
SCALE 5 : 1



DETAIL B  
SCALE 5 : 1



INNER LIGHT  
PIPE PORTS



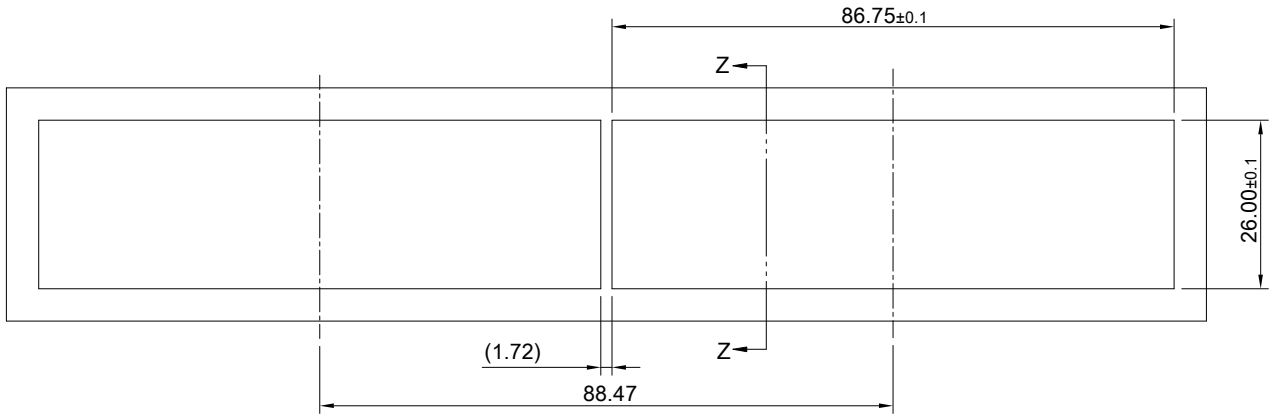
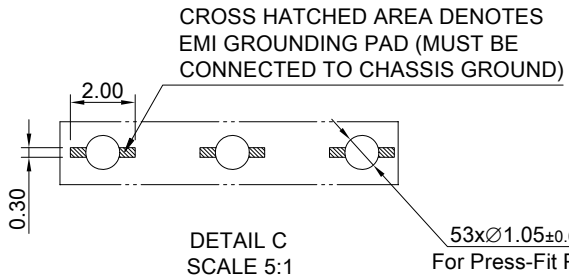
**MATERIAL**  
 CAGE: NICKEL SILVER  
 CONNECTOR: PA9T 94V-0 (BLACK)  
 LCP 94V-0 (DARK GRAY)  
 COPPER ALLOY

**LIGHT PIPE: PC**

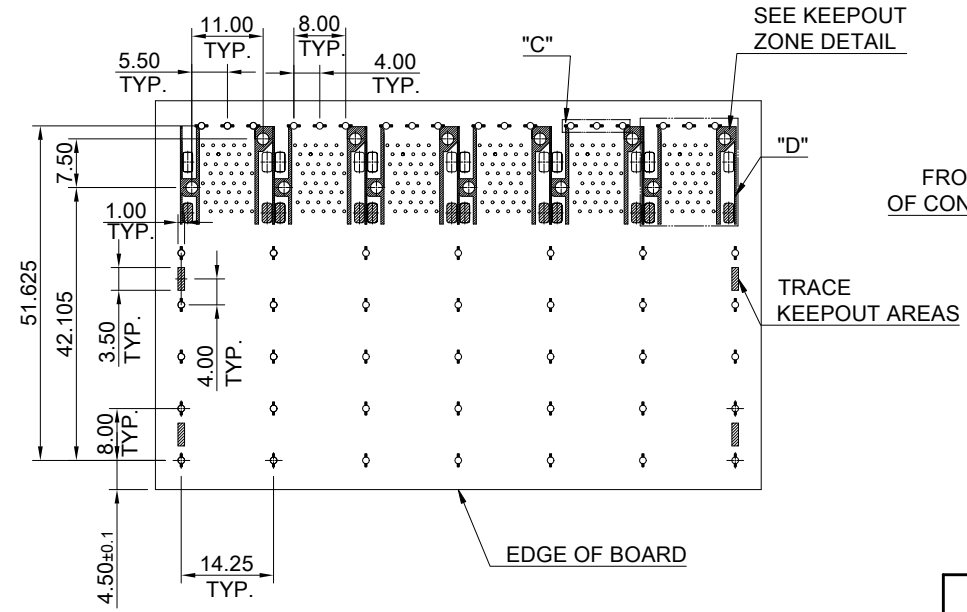
**FINISH**  
 CONTACT: 15µ" MIN. GOLD ON MATING END;  
 30µ" MIN. TIN ON TERMINATION END;  
 ALL UNDERPLATED 50µ" MIN. NICKEL

**ELECTRICAL CHARACTERISTICS**  
 CONTACT CURRENT RATING: 0.5 AMPERE  
 VOLTAGE RATING: 30 VAC  
 CONTACT RESISTANCE: 80 mΩ MAX.  
 DIELECTRIC WITHSTANDING VOLTAGE: 300VAC

	TITLE: Transformed SFP 2X6 w/ Light Pipe			SHEET: 1/3		REV. C	
	DWG#: R-OP-008240-7-F-N-20			CHECKED: Gary Kang		APPROVED: George Yang	
	UNIT: mm	SCALE: A4 5:6	FINISH:	MATERIAL: RoHS Compliant		DATE: 04/19/2022	
	TOLERANCE: Angle: ± 1° X: ± 0.25 .X: ± 0.20 .XX: ± 0.15		THIRD ANGLE PROJECTION	DRAWN: Laura			

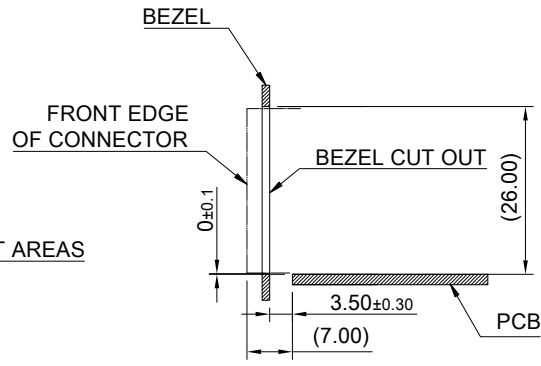


RECOMMENDED BEZEL CUT-OUT SPACING DETAIL  
BEZEL THICKNESS 0.8~2.6MM

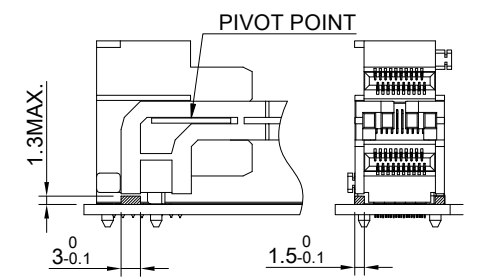


RECOMMENDED PCB LAYOUT  
TOLERANCE: ±0.05  
MINIMUM PCB THICKNESS OF 1.57MM

SEE KEEPOUT ZONE DETAIL



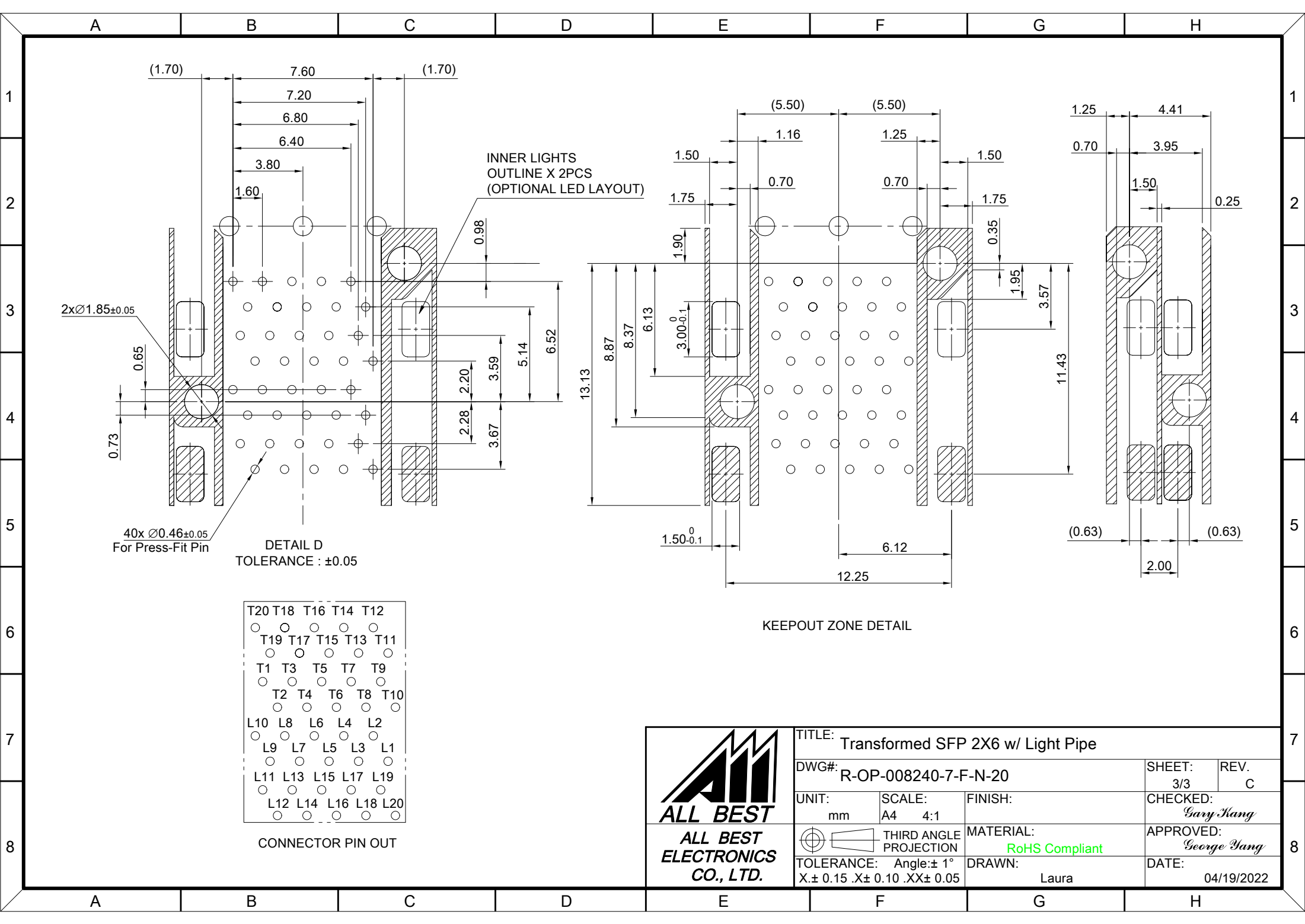
SECTION Z-Z



LED CLEARANCE REQUIREMENTS



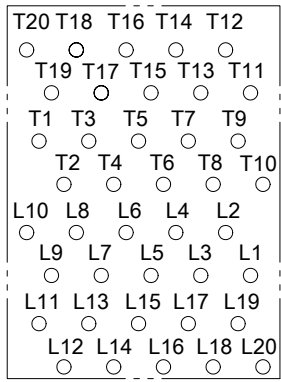
TITLE: Transformed SFP 2X6 w/ Light Pipe			
DWG#: R-OP-008240-7-F-N-20		SHEET: 2/3	REV. C
UNIT: mm	SCALE: A4 5:6	CHECKED: Gary Kang	
TOLERANCE: Angle: ± 1° X ± 0.15 .X ± 0.10 .XX ± 0.05		MATERIAL: RoHS Compliant	APPROVED: George Yang
		DRAWN: Laura	DATE: 04/19/2022



INNER LIGHTS  
OUTLINE X 2PCS  
(OPTIONAL LED LAYOUT)

KEEPOUT ZONE DETAIL

DETAIL D  
TOLERANCE : ±0.05



CONNECTOR PIN OUT



TITLE: Transformed SFP 2X6 w/ Light Pipe			
DWG#: R-OP-008240-7-F-N-20		SHEET: 3/3	REV. C
UNIT: mm	SCALE: A4 4:1	FINISH:	CHECKED: Gary Kang
THIRD ANGLE PROJECTION		MATERIAL: RoHS Compliant	APPROVED: George Yang
TOLERANCE: Angle: ± 1° X ± 0.15 .X ± 0.10 .XX ± 0.05		DRAWN: Laura	DATE: 04/19/2022