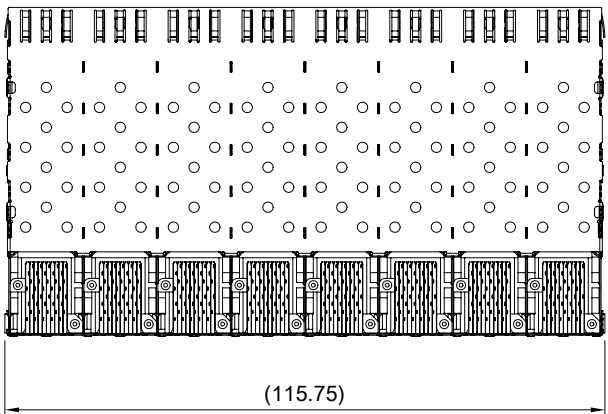
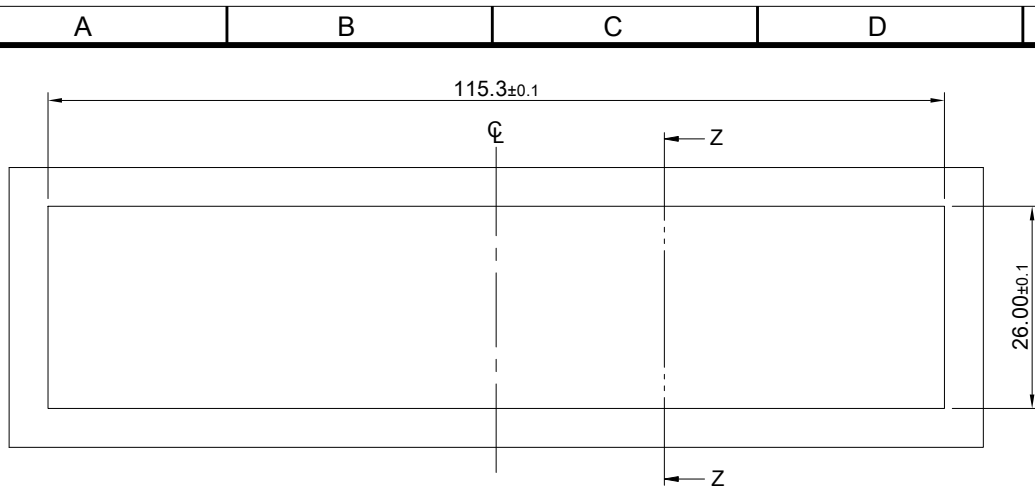


**MATERIAL**  
 CAGE: NICKEL SILVER  
 CONNECTOR: PA9T 94V-0 (BLACK)  
 LCP 94V-0 (DARK GRAY)  
 COPPER ALLOY  
 LIGHT PIPE: PC (CLEAR)  
**FINISH**  
 CONTACT: 15µ" MIN. GOLD ON MATING END;  
 30µ" MIN. MATTE TIN ON TERMINATION END;  
 ALL UNDERPLATED 50µ" MIN. NICKEL

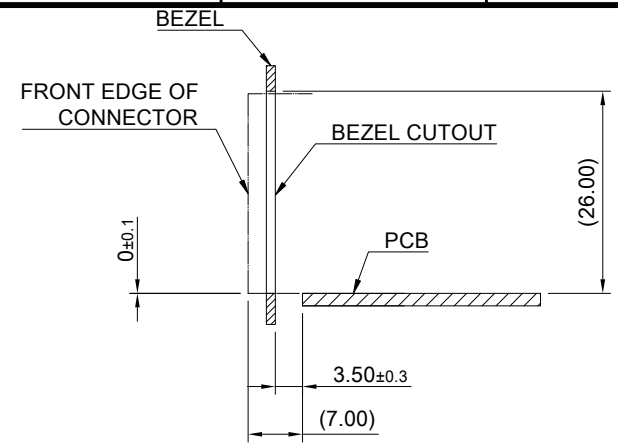
**ELECTRICAL CHARACTERISTICS**  
 CONTACT CURRENT RATING: 0.5 AMPERE  
 VOLTAGE RATING: 30 VAC  
 CONTACT RESISTANCE: 80 mΩ MAX.  
 DIELECTRIC WITHSTANDING VOLTAGE: 300VAC



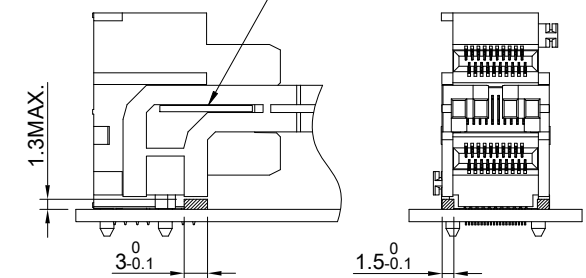
	TITLE: Transformed SFP 2X8 w/ Light Pipe		SHEET: 1/3	REV. C
	DWG#: R-OP-008320-7-F-N-19		CHECKED: Gary Kang	
	UNIT: mm	SCALE: A4 2:3	APPROVED: George Yang	
	TOLERANCE: X±0.25 .X±0.20 .XX±0.15		MATERIAL: RoHS Compliant	DATE: 04/08/2022
THIRD ANGLE PROJECTION		DRAWN: Laura		



RECOMMENDED BEZEL CUT-OUT SPACING DETAIL  
BEZEL THICKNESS 0.8~2.6MM

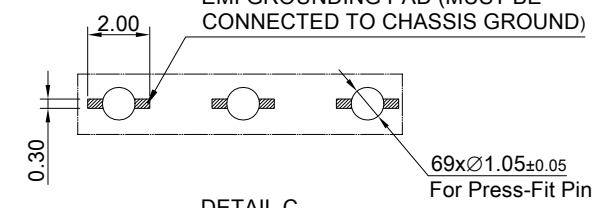


SECTION Z-Z  
PIVOT POINT

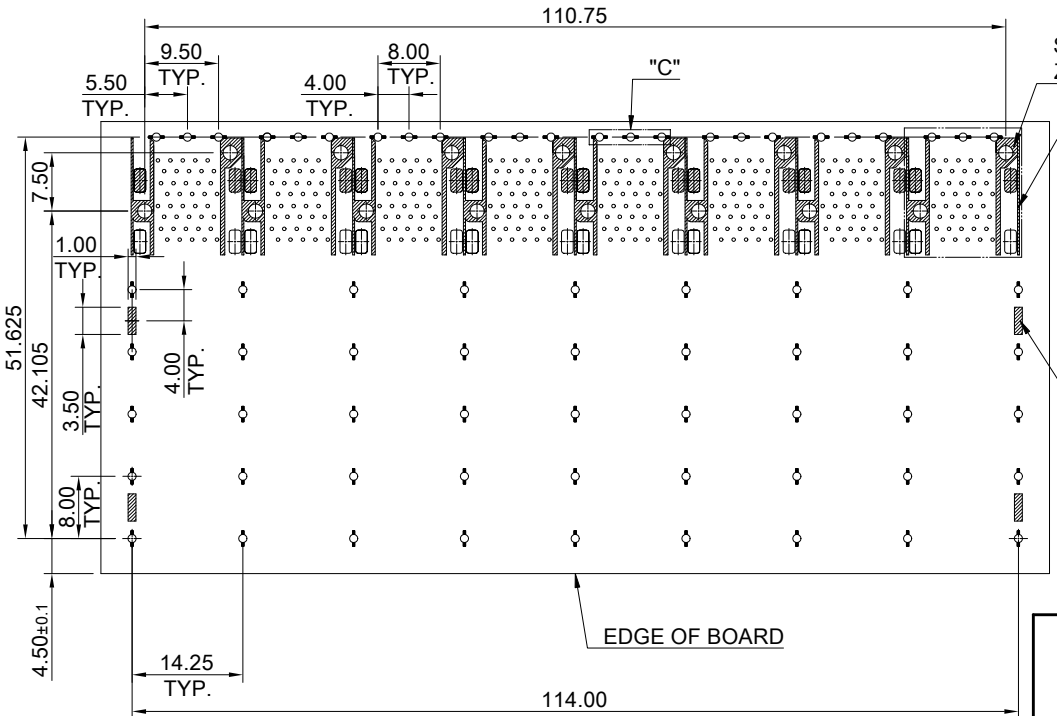


LED CLEARANCE REQUIREMENTS

CROSS HATCHED AREA DENOTES  
EMI GROUNDING PAD (MUST BE  
CONNECTED TO CHASSIS GROUND)



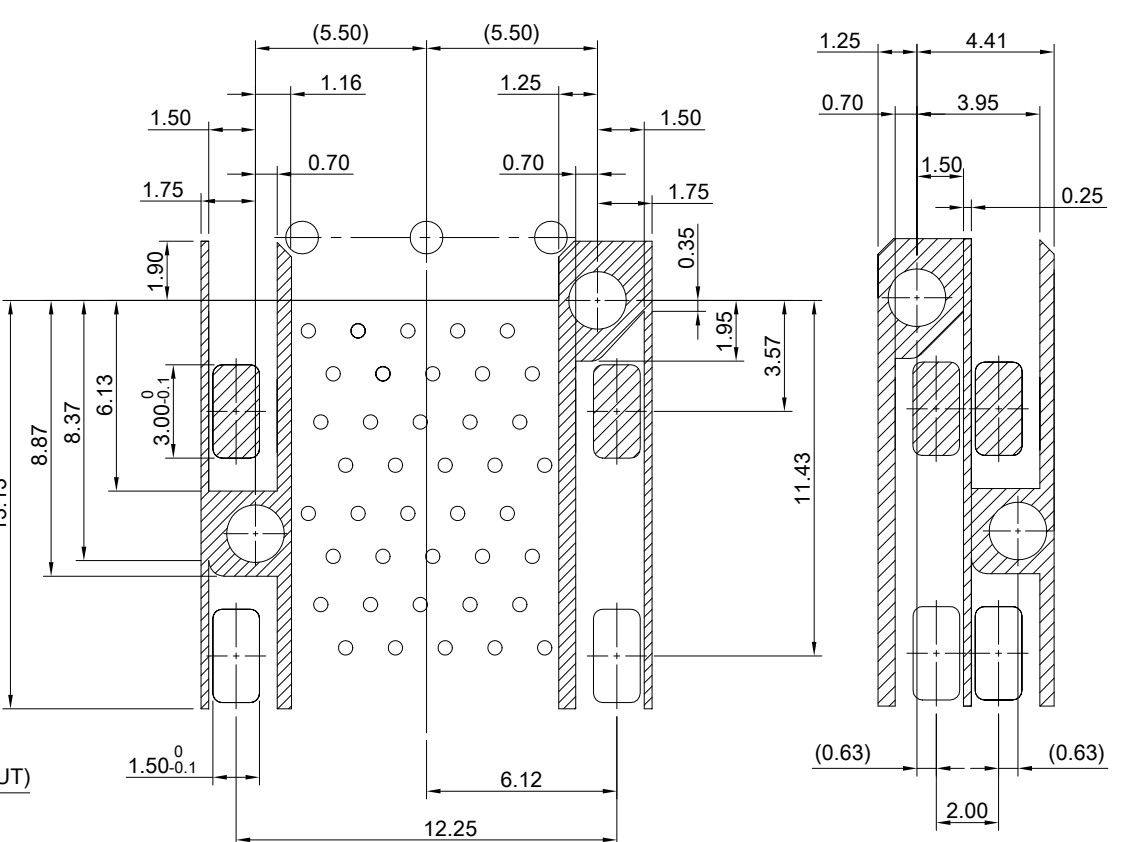
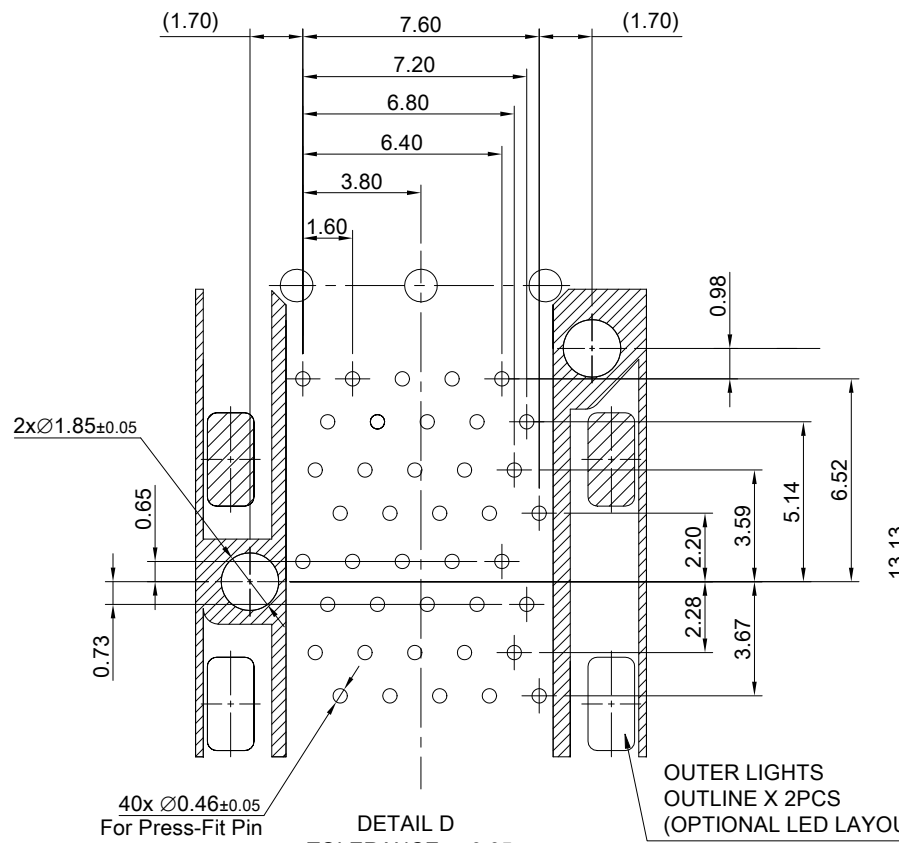
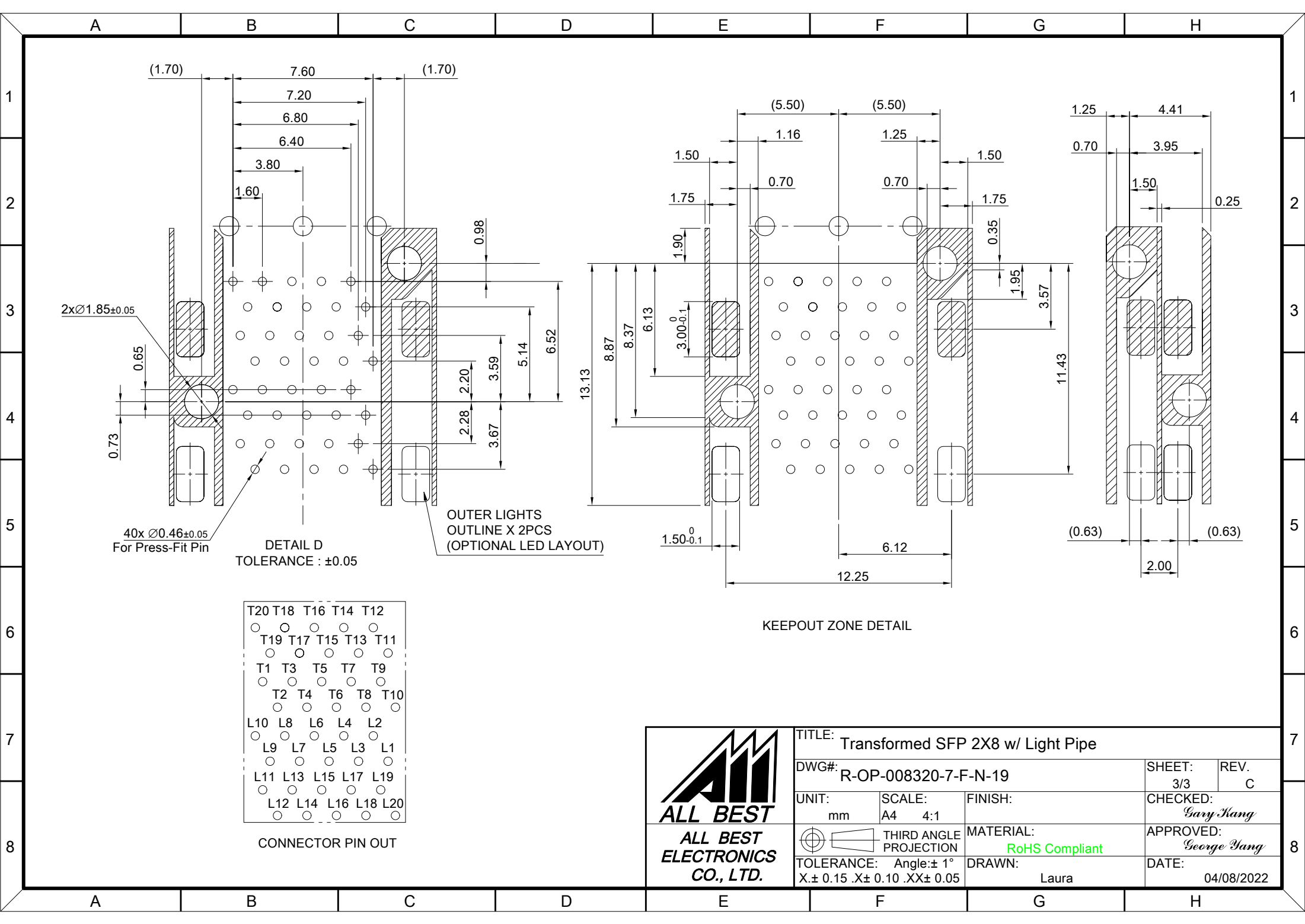
DETAIL C  
SCALE 4:1



RECOMMENDED PCB LAYOUT-COMPONENT SIDE  
RECOMMENDED PCB THICKNESS- 1.57 MM  
THE ENTIRE AREA OF THE KEEP-OUT AREA FOR COMPONENTS  
(OTHER THAN LIGHT PIPE LED'S)  
THIS AREA IS INDICATED BY THE DASHED LINE



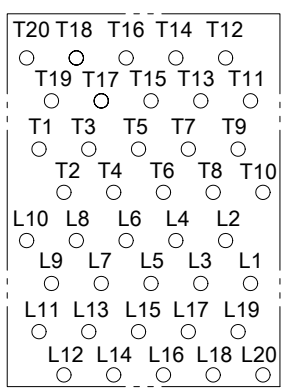
TITLE: Transformed SFP 2X8 w/ Light Pipe			
DWG#: R-OP-008320-7-F-N-19		SHEET: 2/3	REV. C
UNIT: mm	SCALE: A4 1:1	CHECKED: Gary Kang	
TOLERANCE: X.± 0.15 .X± 0.10 .XX± 0.05		MATERIAL: RoHS Compliant	APPROVED: George Yang
THIRD ANGLE PROJECTION		DRAWN: Laura	DATE: 04/08/2022



DETAIL D  
TOLERANCE : ±0.05

OUTER LIGHTS  
OUTLINE X 2PCS  
(OPTIONAL LED LAYOUT)

KEEPOUT ZONE DETAIL



CONNECTOR PIN OUT

<p><b>ALL BEST</b> ELECTRONICS CO., LTD.</p>	TITLE: Transformed SFP 2X8 w/ Light Pipe			SHEET: 3/3		REV. C
	DWG#: R-OP-008320-7-F-N-19			CHECKED: Gary Kang		
	UNIT: mm	SCALE: A4 4:1	FINISH:	APPROVED: George Yang		
	TOLERANCE: X± 0.15 .X± 0.10 .XX± 0.05		THIRD ANGLE PROJECTION	MATERIAL: RoHS Compliant	DATE: 04/08/2022	
			DRAWN: Laura			