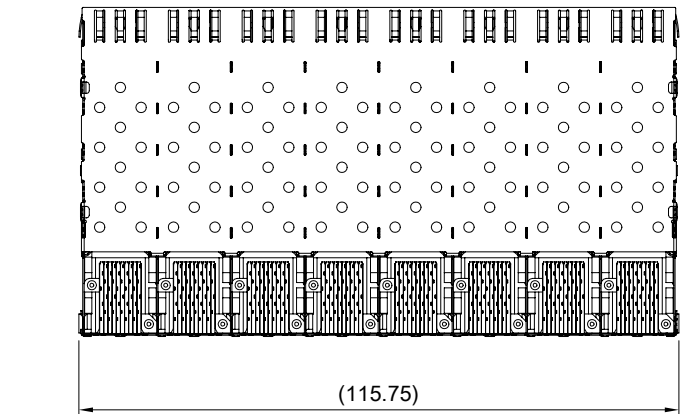


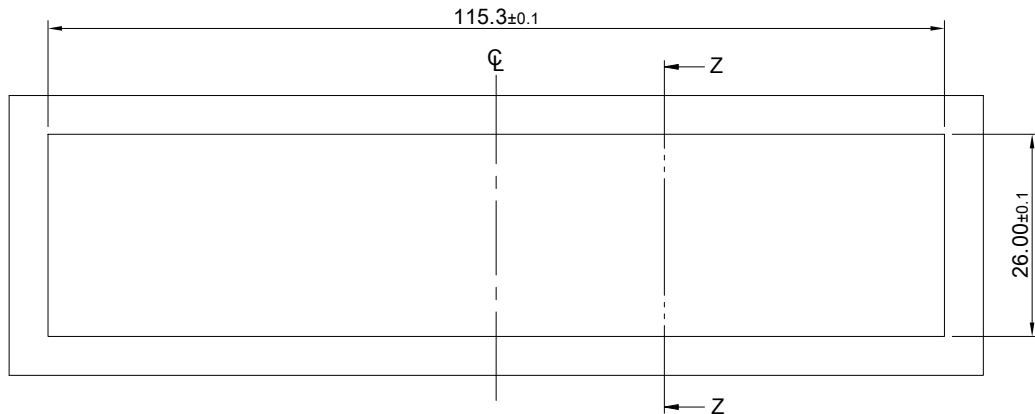
MATERIAL
 CAGE: NICKEL SILVER
 CONNECTOR: PA9T 94V-0 (BLACK)
 LCP 94V-0 (DARK GRAY)
 COPPER ALLOY

FINISH
 CONTACT: 15μ" MIN. GOLD ON MATING END;
 30μ" MIN. MATTE TIN ON TERMINATION END;
 ALL UNDERPLATED 50μ" MIN. NICKEL

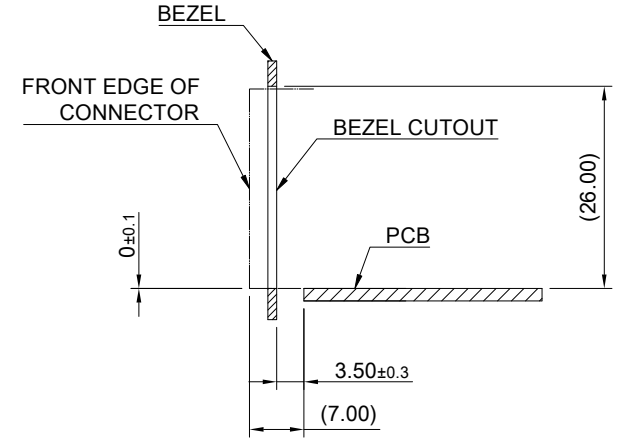
ELECTRICAL CHARACTERISTICS
 CONTACT CURRENT RATING: 0.5 AMPERE
 VOLTAGE RATING: 30 VAC
 CONTACT RESISTANCE: 80 mΩ MAX.
 DIELECTRIC WITHSTANDING VOLTAGE: 300VAC



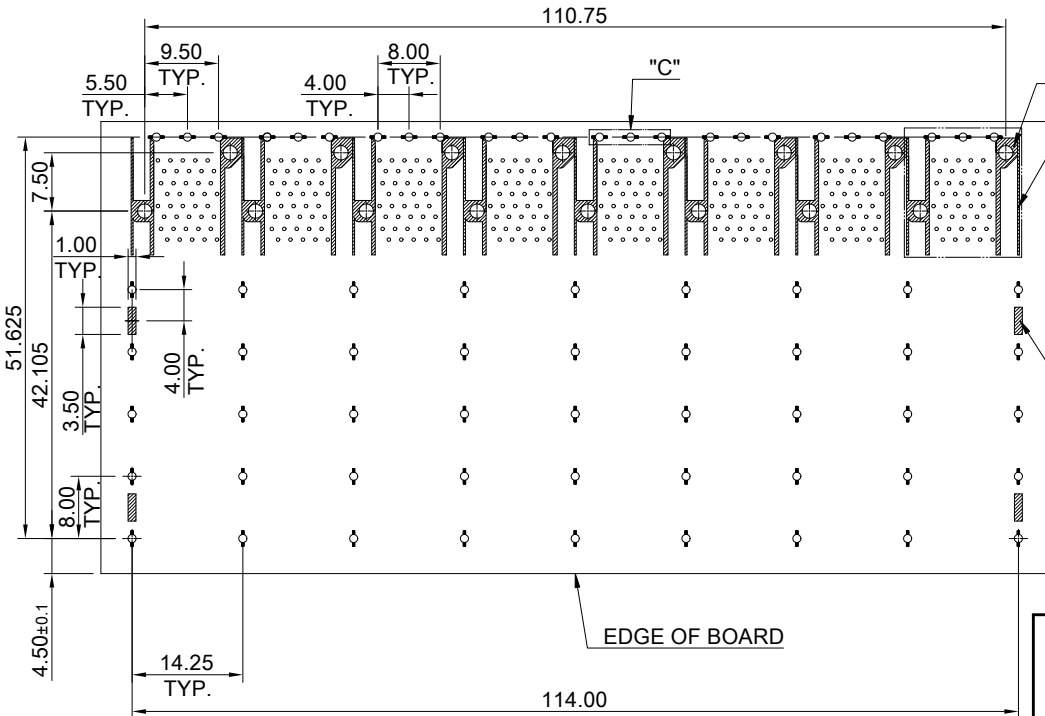
 ALL BEST ELECTRONICS CO., LTD.	TITLE: Transformed SFP 2X8		SHEET: 1/3	REV. C
	DWG#: R-OP-008320-6-F-N-13		CHECKED: Gary Kang	
	UNIT: mm	SCALE: A4 2:3	MATERIAL: RoHS Compliant	APPROVED: George Yang
	TOLERANCE: Angle: ± 1° X ± 0.25 .X ± 0.20 .XX ± 0.15		DRAWN: Laura	DATE: 04/07/2022



RECOMMENDED BEZEL CUT-OUT SPACING DETAIL
BEZEL THICKNESS 0.8~2.6MM



SECTION Z-Z

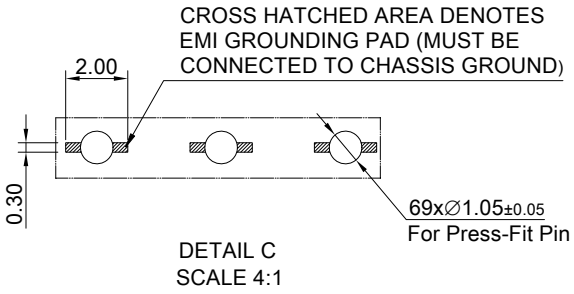


RECOMMENDED PCB LAYOUT-COMPONENT SIDE
RECOMMENDED PCB THICKNESS- 1.57 MM
THE ENTIRE AREA OF THE KEEPOUT AREA FOR COMPONENTS
(OTHER THAN LIGHT PIPE LED'S)
THIS AREA IS INDICATED BY THE DASHED LINE

SEE KEEPOUT ZONE DETAIL

"D"

TRACE KEEPOUT AREAS



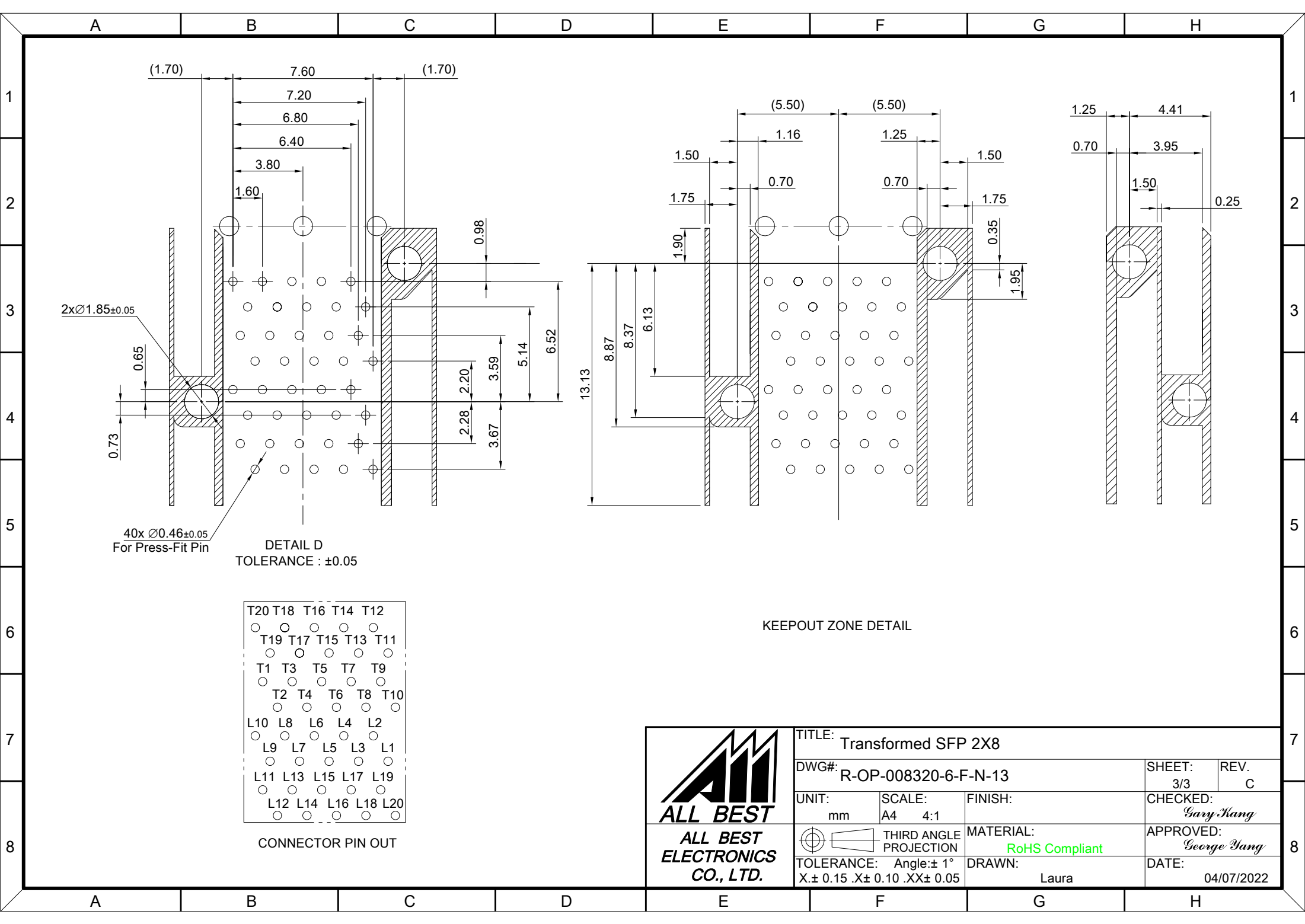
CROSS HATCHED AREA DENOTES EMI GROUNDING PAD (MUST BE CONNECTED TO CHASSIS GROUND)

DETAIL C
SCALE 4:1

69x∅1.05±0.05
For Press-Fit Pin



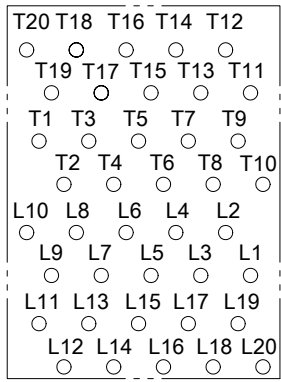
TITLE: Transformed SFP 2X8			
DWG#: R-OP-008320-6-F-N-13		SHEET: 2/3	REV. C
UNIT: mm	SCALE: A4 1:1	CHECKED: Gary Kang	
TOLERANCE: X± 0.15 .X± 0.10 .XX± 0.05		MATERIAL: RoHS Compliant	APPROVED: George Yang
THIRD ANGLE PROJECTION		DRAWN: Laura	DATE: 04/07/2022



2x $\varnothing 1.85 \pm 0.05$


DETAIL D
TOLERANCE : ± 0.05

40x $\varnothing 0.46 \pm 0.05$
For Press-Fit Pin



CONNECTOR PIN OUT

KEEPOUT ZONE DETAIL

 ALL BEST ELECTRONICS CO., LTD.	TITLE: Transformed SFP 2X8		SHEET: 3/3	REV. C
	DWG#: R-OP-008320-6-F-N-13		CHECKED: Gary Kang	
	UNIT: mm	SCALE: A4 4:1	FINISH:	APPROVED: George Yang
	TOLERANCE: Angle: $\pm 1^\circ$ X: ± 0.15 .X: ± 0.10 .XX: ± 0.05		MATERIAL: RoHS Compliant	DATE: 04/07/2022
		DRAWN: Laura		