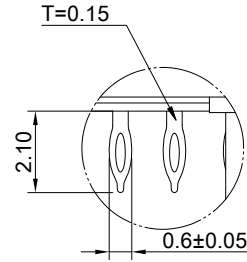
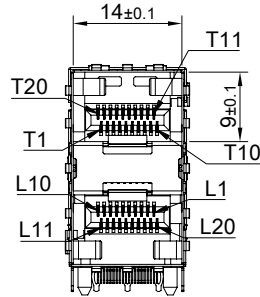
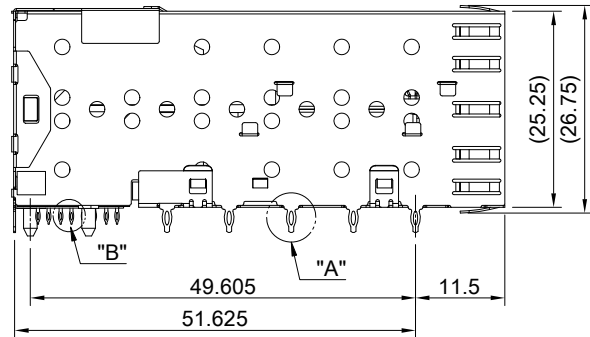
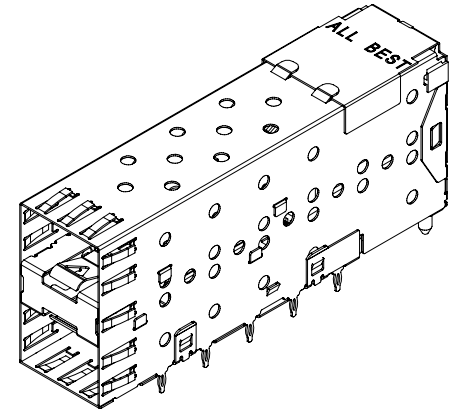


DETAIL A  
SCALE: 5:1



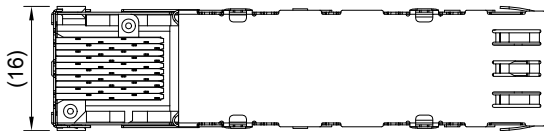
DETAIL B  
SCALE: 5:1



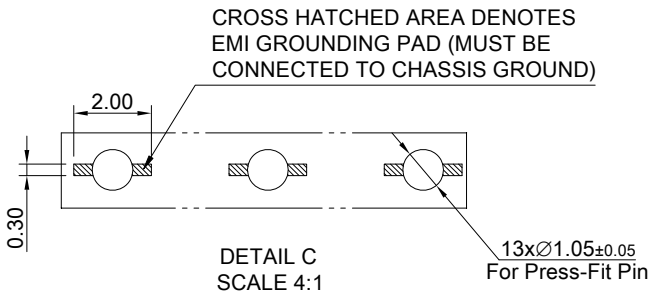
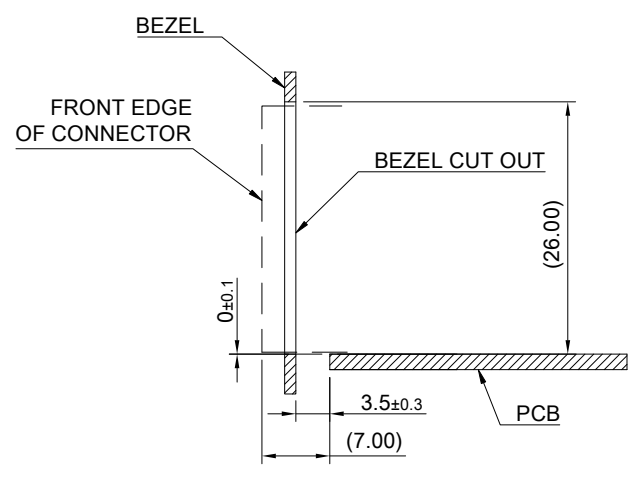
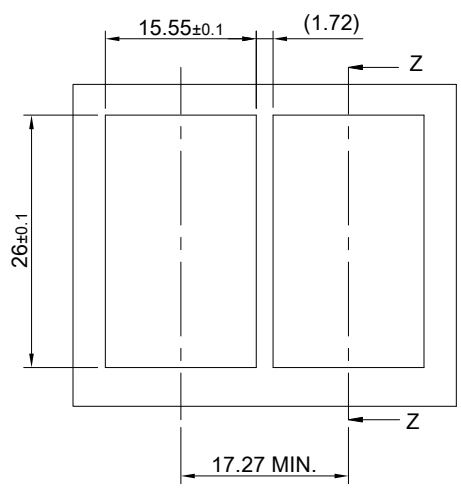
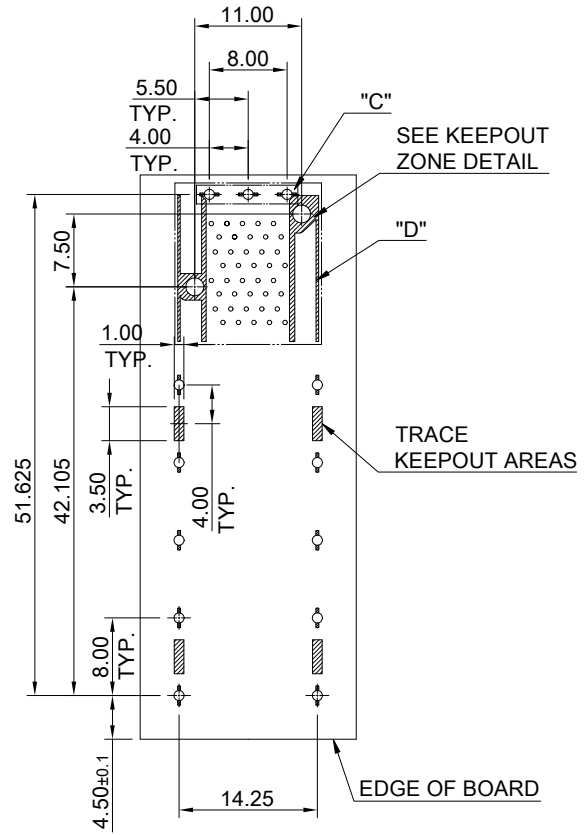
MATERIAL  
 CAGE: NICKEL SILVER  
 CONNECTOR: PA9T 94V-0 (BLACK)  
 LCP 94V-0 (DARK GRAY)  
 COPPER ALLOY

FINISH  
 CONTACT: 15μ" MIN. GOLD ON MATING END;  
 30μ" MIN. MATTE TIN ON TERMINATION END;  
 ALL UNDERPLATED 50μ" MIN. NICKEL

ELECTRICAL CHARACTERISTICS  
 CONTACT CURRENT RATING: 0.5 AMPERE  
 VOLTAGE RATING: 30 VAC  
 CONTACT RESISTANCE: 80 mΩ MAX.  
 DIELECTRIC WITHSTANDING VOLTAGE: 300VAC

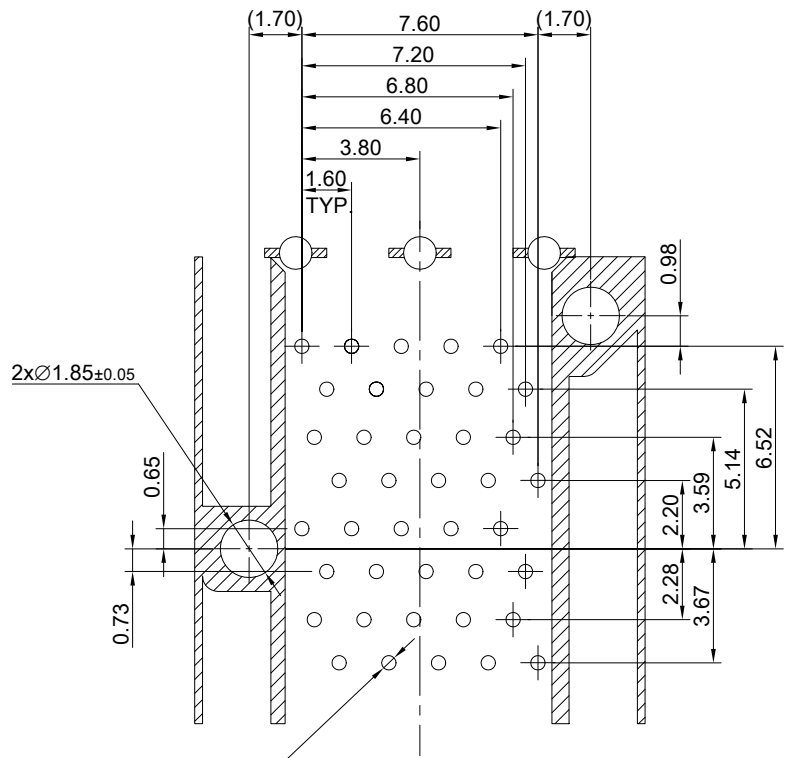


	TITLE: Transformed SFP 2X1		SHEET: 1/3	REV. D
	DWG#: R-DP-008040-6-F-N-13		CHECKED: Gary Kang	
	UNIT: mm	SCALE: A4 1:1	FINISH:	APPROVED: George Yang
	THIRD ANGLE PROJECTION TOLERANCE: Angle: ± 1° X.± 0.25 .X± 0.20 .XX± 0.15		MATERIAL: RoHS Compliant	DATE: 10/21/2021
		DRAWN: Howard		

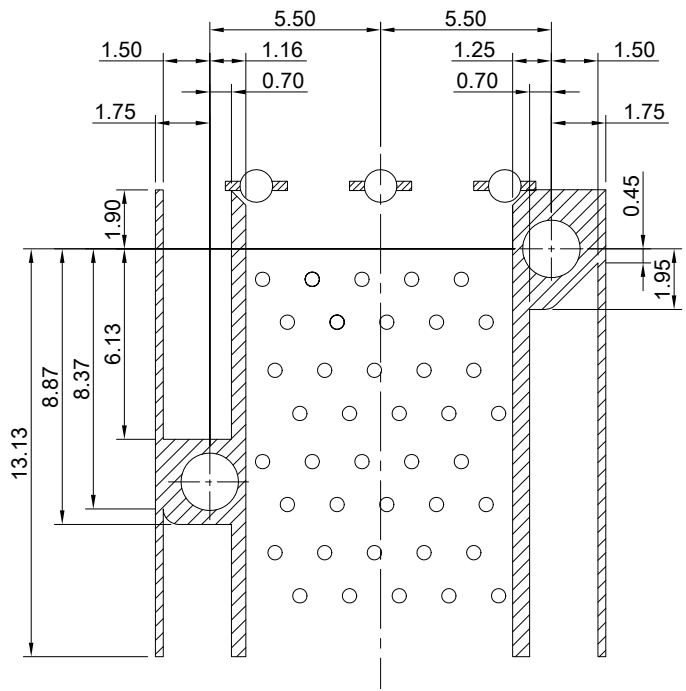


RECOMMENDED PCB LAYOUT  
TOLERANCE:  $\pm 0.05$   
MINIMUM PCB THICKNESS OF 1.57MM

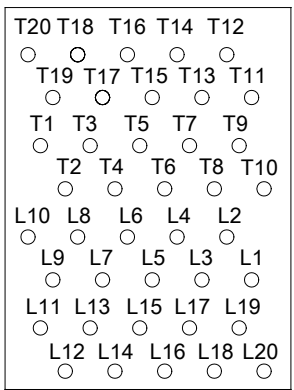
<p><b>ALL BEST</b> ALL BEST ELECTRONICS CO., LTD.</p>	TITLE: Transformed SFP 2X1		SHEET: 2/3	REV. D
	DWG#: R-DP-008040-6-F-N-13		CHECKED: Gary Kang	
	UNIT: mm	SCALE: A4 5:4	FINISH:	APPROVED: George Yang
	TOLERANCE: Angle: $\pm 1^\circ$ X. $\pm 0.15$ .X $\pm 0.10$ .XX $\pm 0.05$		MATERIAL: RoHS Compliant	DATE: 10/21/2021
	THIRD ANGLE PROJECTION		DRAWN: Howard	



DETAIL D  
TOLERANCE: ±0.05



KEEPOUT ZONE DETAIL



CONNECTOR PIN OUT



TITLE: Transformed SFP 2X1			
DWG#: R-DP-008040-6-F-N-13		SHEET: 3/3	REV. D
UNIT: mm	SCALE: A4 4:1	FINISH:	CHECKED: Gary Kang
THIRD ANGLE PROJECTION TOLERANCE: Angle: ± 1° X: ± 0.15 .X: ± 0.10 .XX: ± 0.05		MATERIAL: RoHS Compliant	APPROVED: George Yang
		DRAWN: Howard	DATE: 10/21/2021