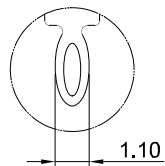
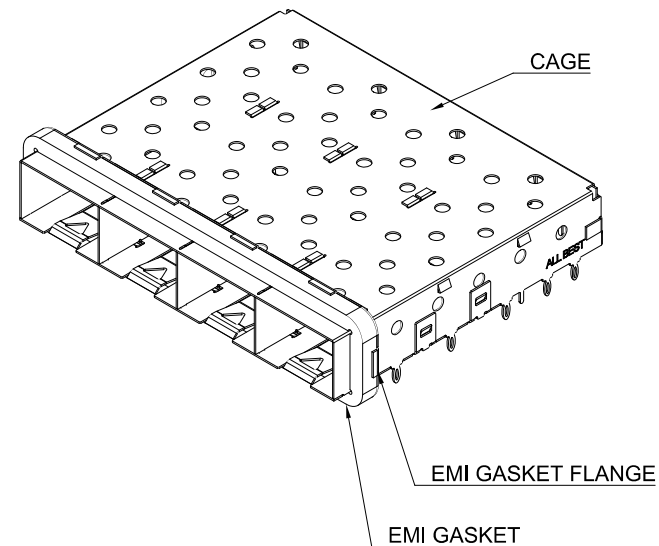
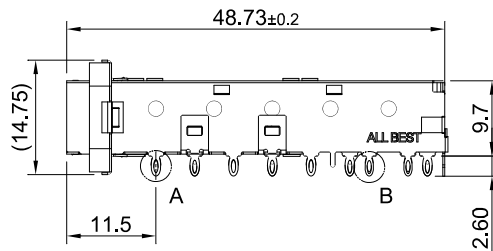


DETAIL A
SCALE 4:1

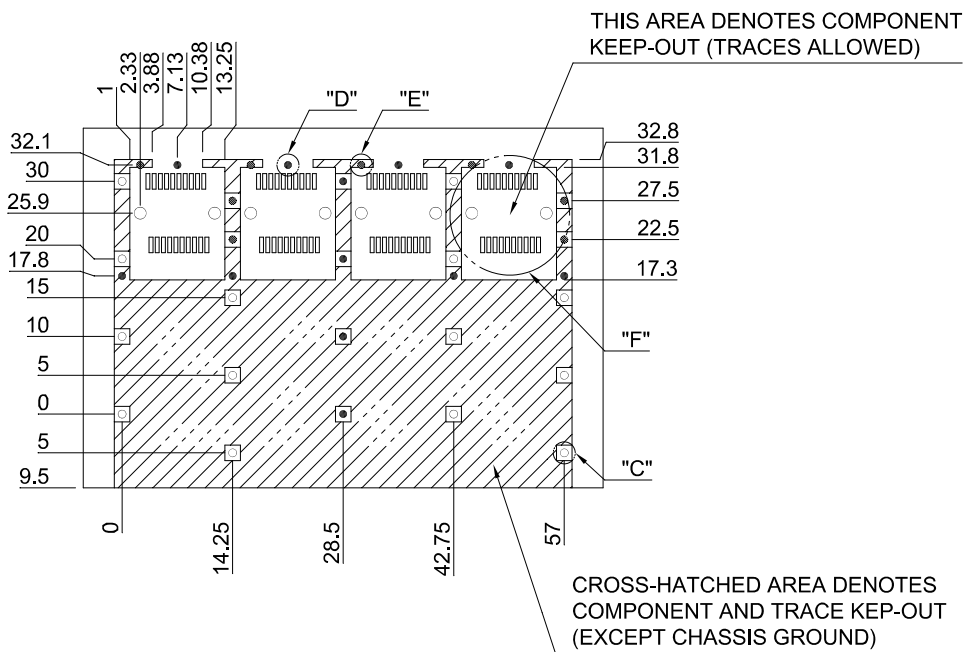


DETAIL B
SCALE 4:1

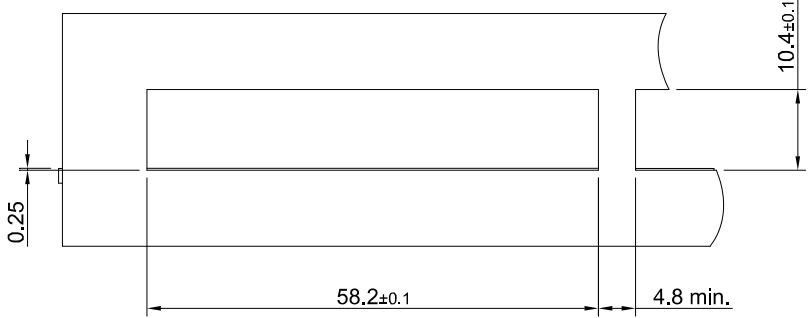


MATERIAL
 CAGE: NICKEL SILVER
 EMI GASKET FLANGE: NICKEL SILVER
 EMI GASKET: CONDUCTIVE ELASTOMER

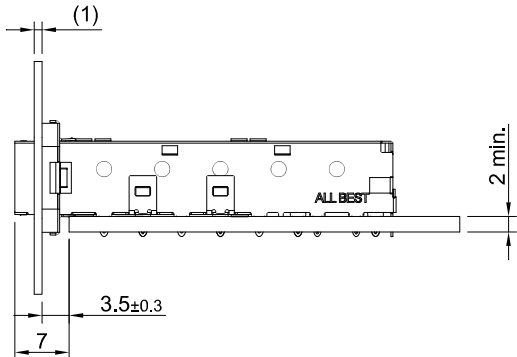
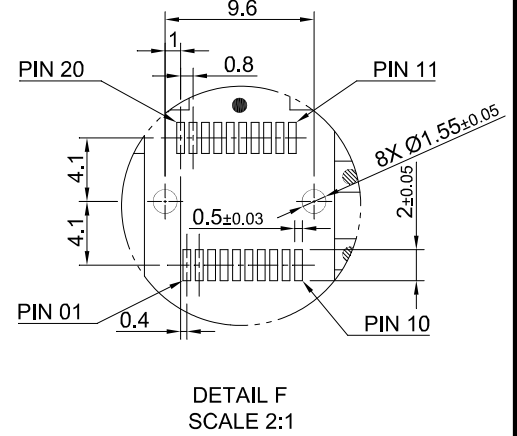
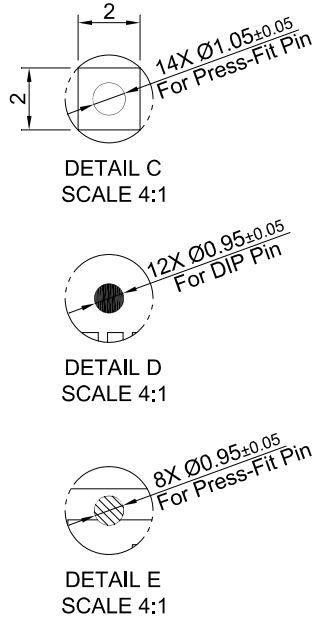
	TITLE: SFP+ EMI Shielded 1X4 Cage Assembly w/ Elastomeric Gasket		SHEET:	REV.
	DWG#: R-SH-008080-6-F-09		1/2	B
	UNIT: mm	SCALE: A4 1:1	CHECKED: <i>Gary Kang</i>	
	TOLERANCE: Angle: ± 1° X ± 0.25 .X ± 0.20 .XX ± 0.15		MATERIAL: RoHS Compliant	APPROVED: <i>George Yang</i>
THIRD ANGLE PROJECTION		DRAWN: Ting	DATE: 02/22/2016	



RECOMMENDED PCB LAYOUT
TOLERANCE: ± 0.05



RECOMMENDED BEZEL CUT-OUT



	TITLE: SFP+ EMI Shielded 1X4 Cage Assembly w/ Elastomeric Gasket		SHEET: 2/2	REV. B
	DWG#: R-SH-008080-6-F-09		CHECKED: Gary Kang	
	UNIT: mm	SCALE: A4 1:1	FINISH:	APPROVED: George Yang
	TOLERANCE: Angle: $\pm 1^\circ$ $X \pm 0.15$. $X \pm 0.10$. $XX \pm 0.05$		MATERIAL: RoHS Compliant	DATE: 02/19/2016
THIRD ANGLE PROJECTION		DRAWN: Ting		