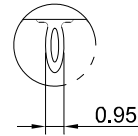
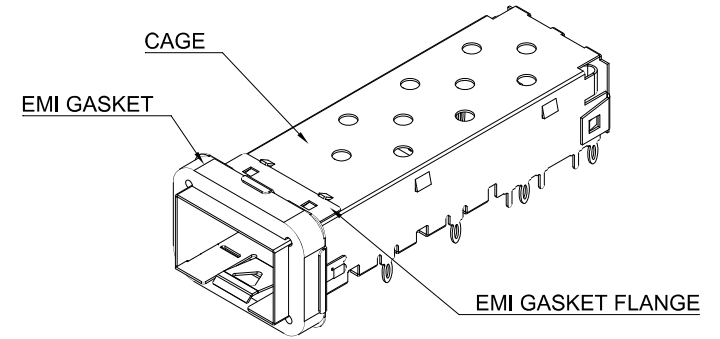


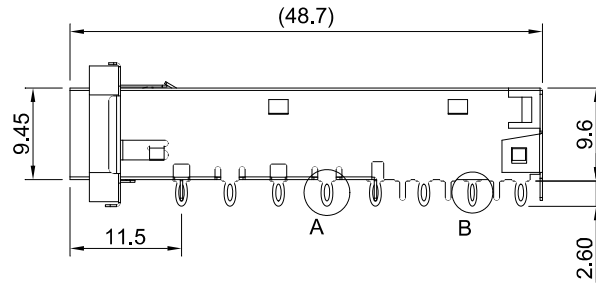
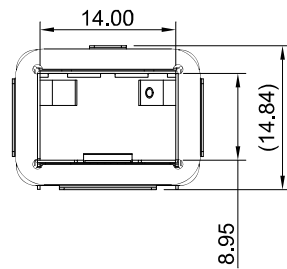
DETAIL A  
SCALE 2:1


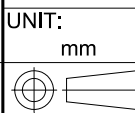


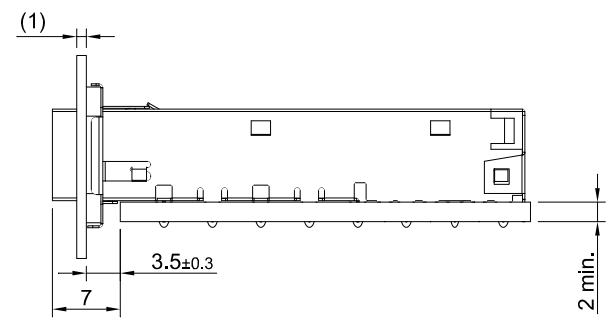
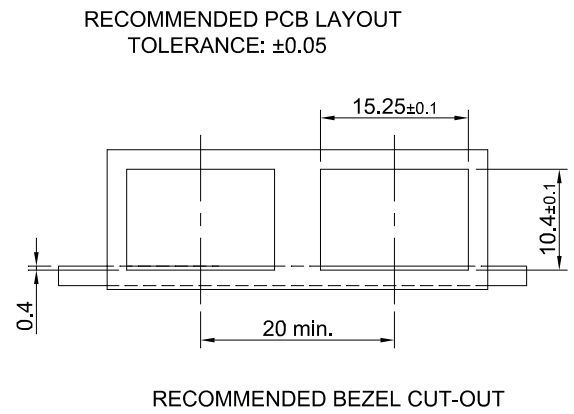
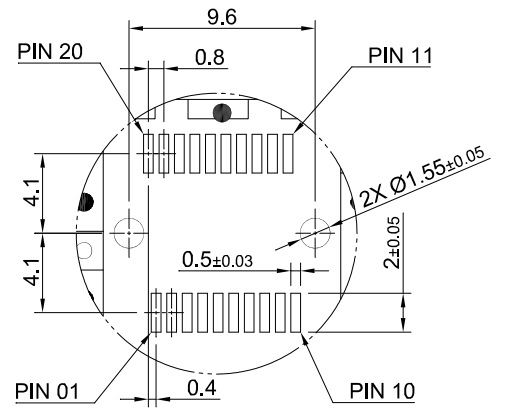
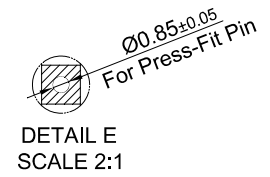
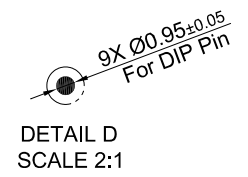
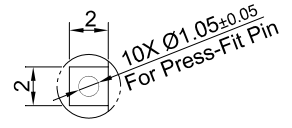
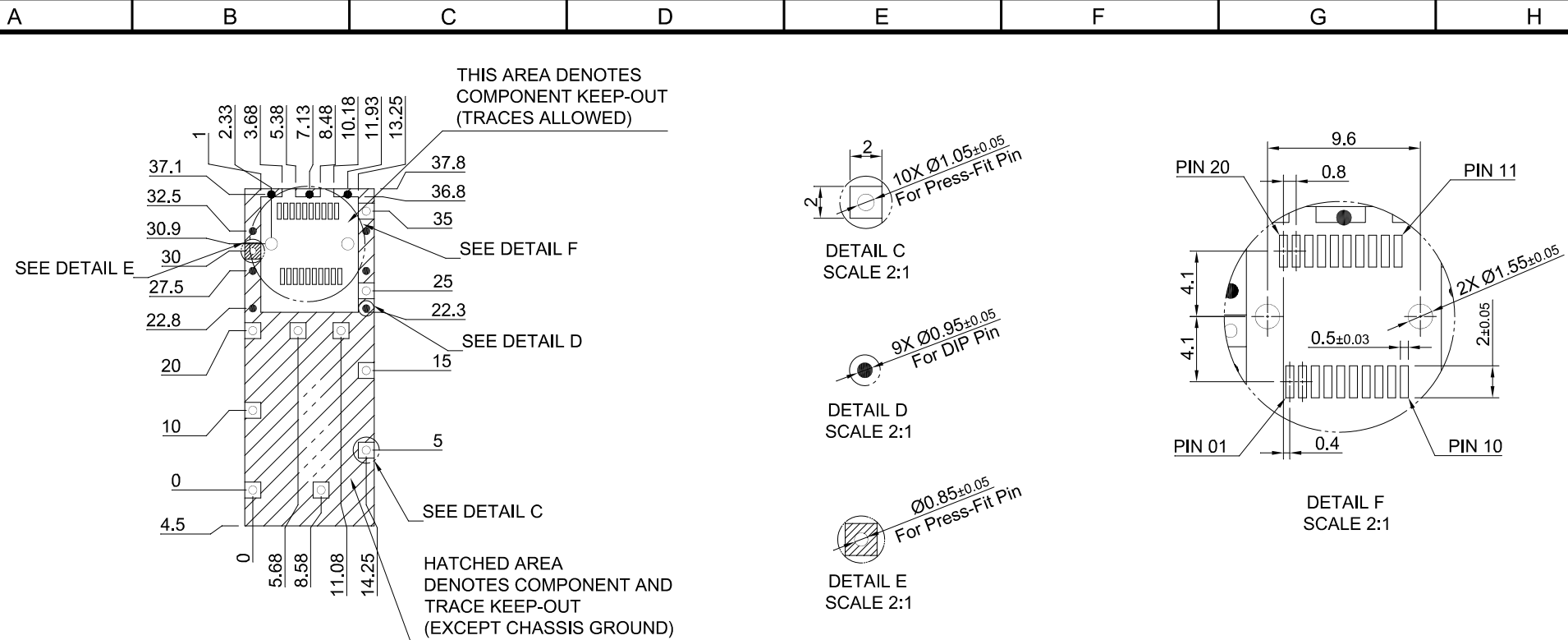
DETAIL B  
SCALE 2:1



MATERIAL  
 CAGE: NICKEL SILVER  
 EMI GASKET FLANGE: STAINLESS STEEL  
 EMI GASKET: CONDUCTIVE ELASTOMER



 <b>ALL BEST</b> ALL BEST ELECTRONICS CO., LTD.	TITLE: SFP+ 1X1 Cage w/ Elastic Gasket		SHEET:	REV.
	DWG#: R-SH-008020-6-F-06		1/2	B
	UNIT: mm	SCALE: A4 5:4	FINISH:	CHECKED: <i>Gary Kang</i>
	 THIRD ANGLE PROJECTION TOLERANCE: Angle: ± 1° X: ± 0.25 .X: ± 0.20 .XX: ± 0.15		MATERIAL: RoHS Compliant	APPROVED: <i>George Yang</i>
			DRAWN: Laura	DATE: 01/27/2016



	TITLE: SFP+ 1x1 Cage w/ Elastic Gasket			SHEET: 2/2	REV. B
	DWG#: R-SH-008020-6-F-06			CHECKED: Gary Kang	
	UNIT: mm	SCALE: A4 5:4	FINISH:	APPROVED: George Yang	
	TOLERANCE: Angle: ± 1° X ± 0.15 .X ± 0.10 .XX ± 0.05			MATERIAL: RoHS Compliant	DATE: 01/27/2016
THIRD ANGLE PROJECTION			DRAWN: Laura		