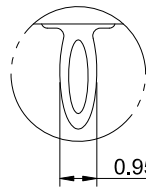
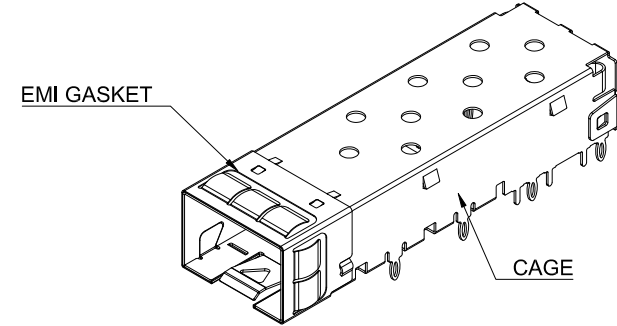
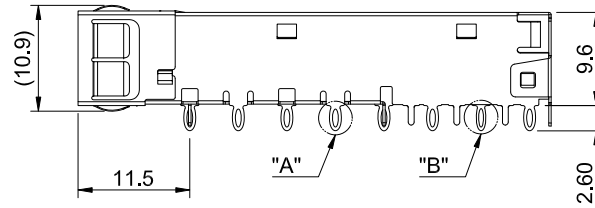


DETAIL A  
SCALE 4:1



DETAIL B  
SCALE 4:1



MATERIAL  
CAGE: NICKEL SILVER  
EMI GASKET: STAINLESS STEEL



TITLE: SFP+ 1x1 Cage w/ EMI Metal Gasket

DWG#: R-SH-008020-6-F-21

SHEET: 1/4  
REV. C

UNIT: mm  
SCALE: A4 5:4

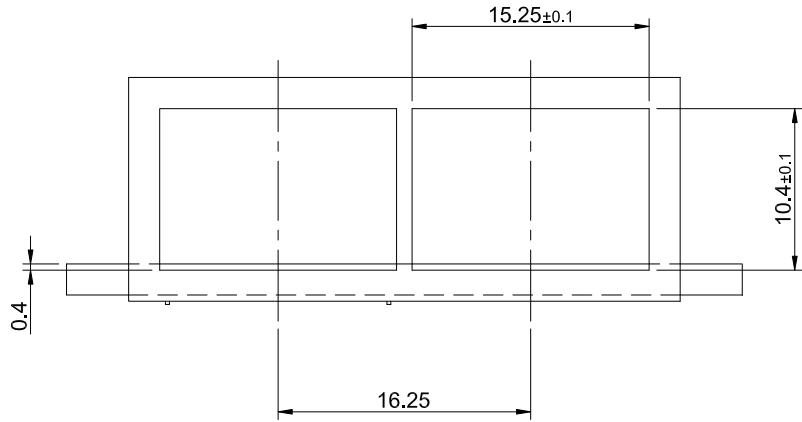
FINISH: CHECKED: Gary Yang

THIRD ANGLE PROJECTION

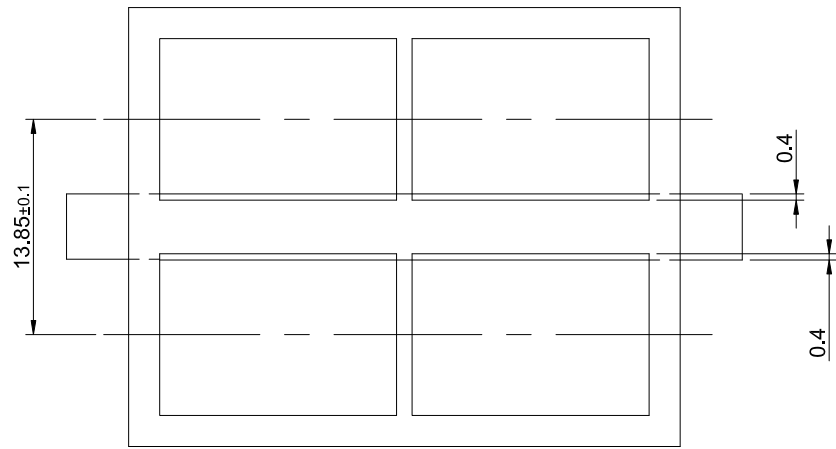
MATERIAL: RoHS Compliant  
APPROVED: George Yang

TOLERANCE: Angle: ± 1°  
X: ± 0.25 .X: ± 0.20 .XX: ± 0.15

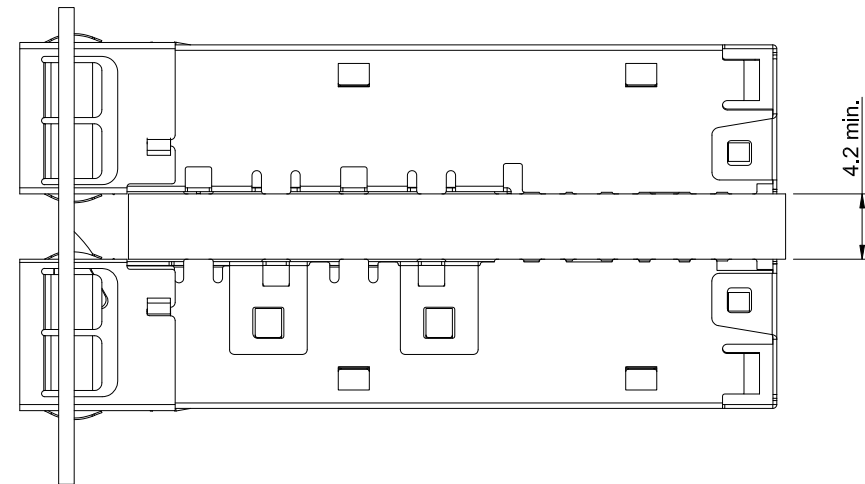
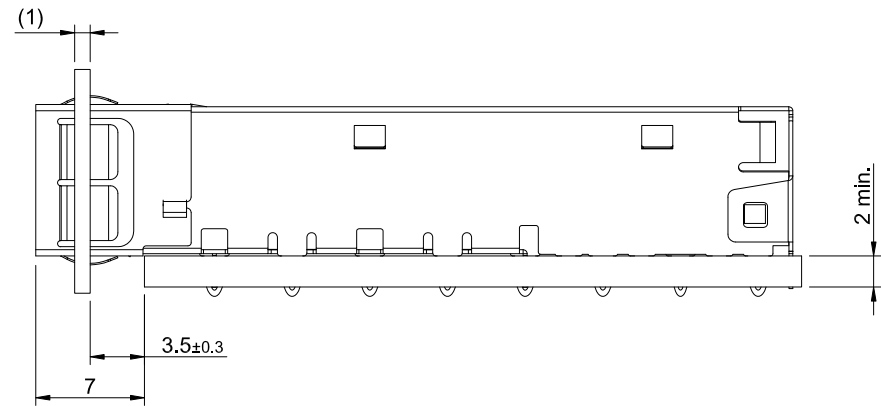
DRAWN: Ting  
DATE: 04/26/2017




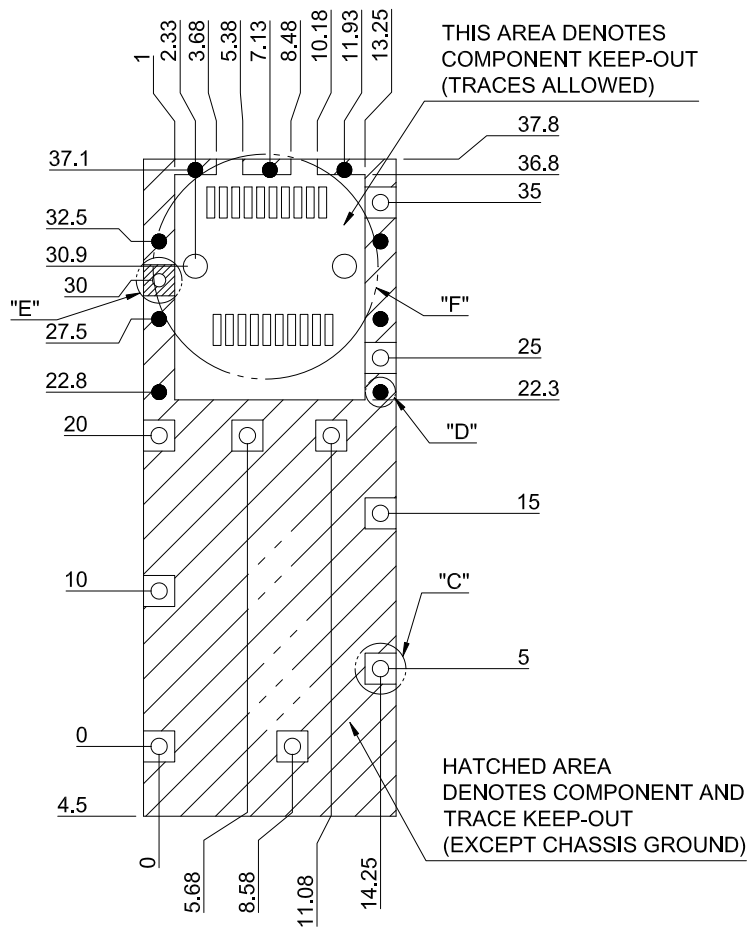
RECOMMENDED BEZEL CUT-OUT  
SINGLE SIDED APPLICATIONS



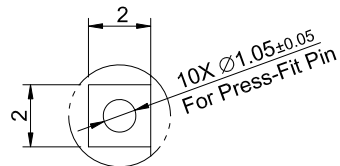
RECOMMENDED BEZEL CUT-OUT  
BELLY TO BELLY APPLICATIONS



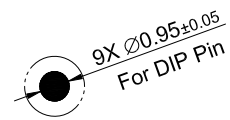
 <b>ALL BEST</b> ALL BEST ELECTRONICS CO., LTD.	<b>TITLE:</b> SFP+ 1x1 Cage w/ EMI Metal Gasket		<b>SHEET:</b> 2/4		<b>REV.</b> C
	<b>DWG#:</b> R-SH-008020-6-F-21		<b>CHECKED:</b> Gary Yang		<b>APPROVED:</b> George Yang
	<b>UNIT:</b> mm	<b>SCALE:</b> A4 2:1	<b>FINISH:</b>	<b>MATERIAL:</b> RoHS Compliant	
	<b>TOLERANCE:</b> Angle: ± 1° X: ± 0.15 .X: ± 0.10 .XX: ± 0.05		<b>THIRD ANGLE PROJECTION</b>	<b>DRAWN:</b> Ting	<b>DATE:</b> 04/26/2017



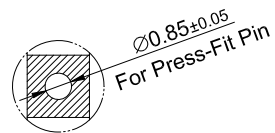
RECOMMENDED PCB LAYOUT  
TOLERANCE:  $\pm 0.05$



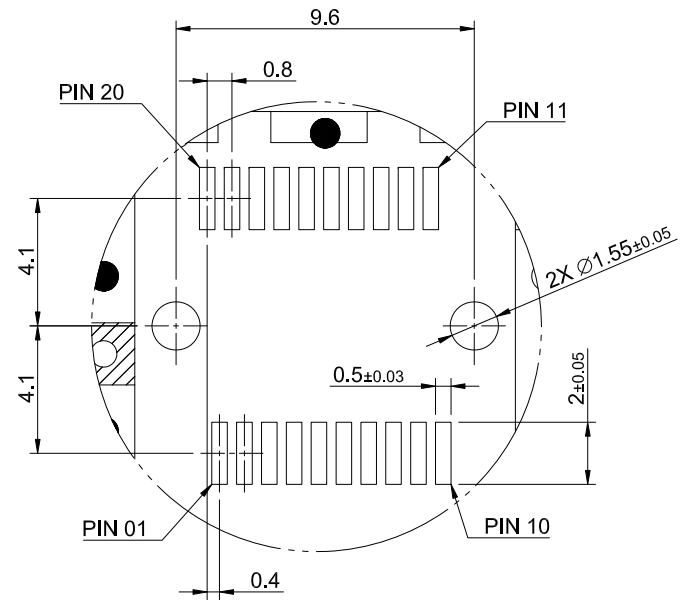
DETAIL C  
SCALE 2:1



DETAIL D  
SCALE 2:1



DETAIL E  
SCALE 2:1



DETAIL F  
SCALE 2:1



TITLE: SFP+ 1x1 Cage w/ EMI Metal Gasket

DWG#: R-SH-008020-6-F-21

SHEET: 3/4  
REV. C

UNIT: mm  
SCALE: A4 2:1

FINISH:

CHECKED: Gary Kang

THIRD ANGLE PROJECTION

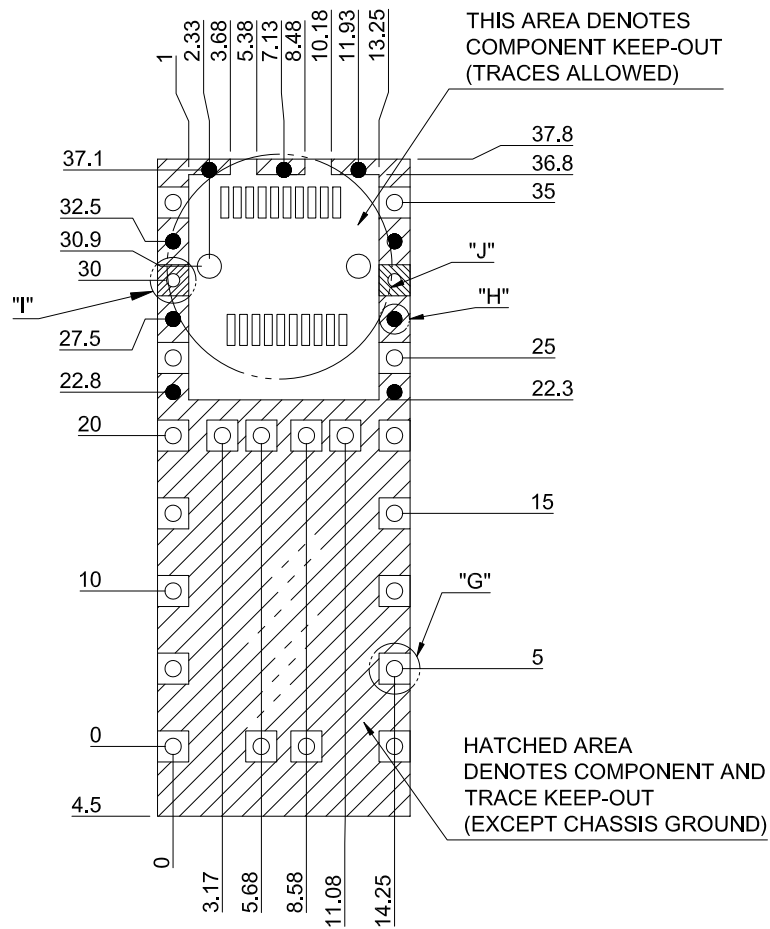
MATERIAL: RoHS Compliant

APPROVED: George Yang

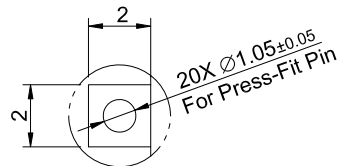
TOLERANCE: Angle:  $\pm 1^\circ$   
X:  $\pm 0.15$  .X:  $\pm 0.10$  .XX:  $\pm 0.05$

DRAWN: Ting

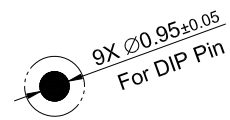
DATE: 04/26/2017



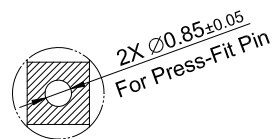
RECOMMENDED PCB LAYOUT  
FOR BELLY TO BELLY MOUNTING  
TOLERANCE:  $\pm 0.05$



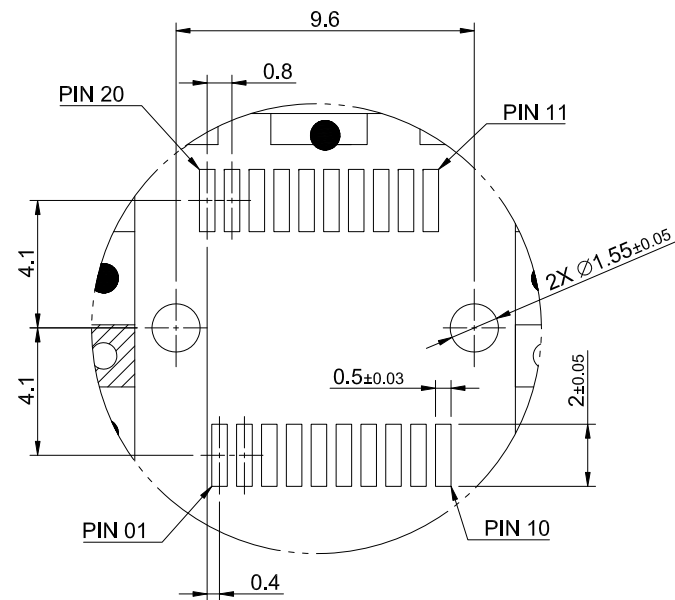
DETAIL G  
SCALE 2:1




DETAIL H  
SCALE 2:1



DETAIL I  
SCALE 2:1



DETAIL J  
SCALE 2:1

 <b>ALL BEST</b> ALL BEST ELECTRONICS CO., LTD.	TITLE: SFP+ 1x1 Cage w/ EMI Metal Gasket		SHEET: 4/4		REV. C
	DWG#: R-SH-008020-6-F-21		CHECKED: Gary Yang		APPROVED: George Yang
	UNIT: mm	SCALE: A4 2:1	FINISH:	MATERIAL: RoHS Compliant	
	TOLERANCE: $X \pm 0.15$ , $.X \pm 0.10$ , $.XX \pm 0.05$		THIRD ANGLE PROJECTION	DRAWN: Ting	DATE: 04/26/2017