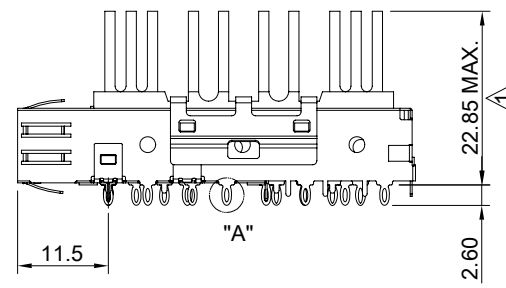
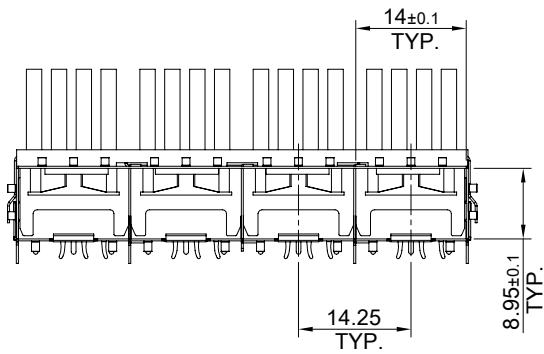
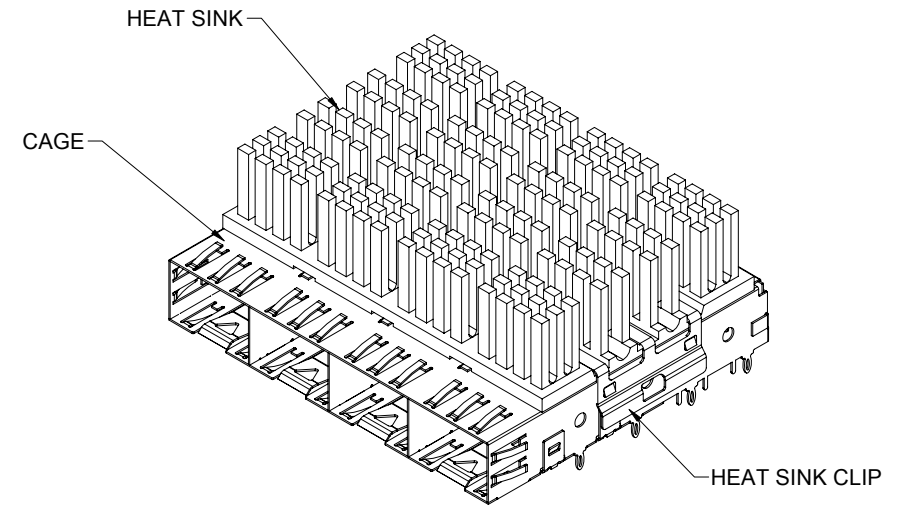



DETAIL A  
SCALE 2:1



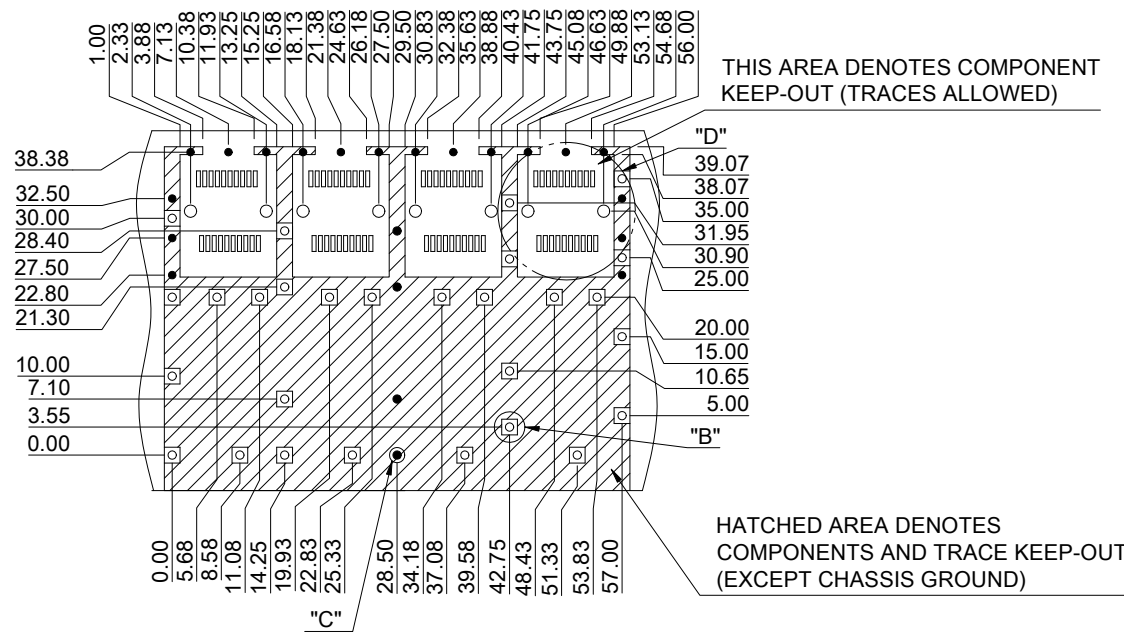
MATERIAL  
 CAGE: NICKEL SILVER  
 HEAT SINK: ALUMINUM  
 HEAT SINK CLIP: STAINLESS STEEL

FINISH  
 HEAT SINK: ANODE PROCESS

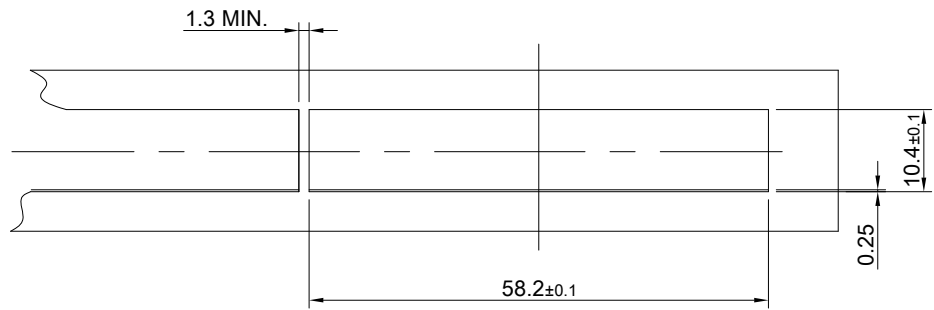
NOTE  
 ▲ DIMENSION APPLIES WITH MODULE INSERTED IN CAGE

 <b>ALL BEST</b> <b>ELECTRONICS</b> <b>CO., LTD.</b>	TITLE: SFP+ 1X4 Cage Assembly w/ NET Heat Sink		SHEET: 1/2	REV. C
	DWG#: R-SH-008080-6-K-01		CHECKED: Gary Kang	
	UNIT: mm	SCALE: A4 1:1	FINISH:	APPROVED: George Yang
	TOLERANCE: Angle: ± 1° X ± 0.25 .X ± 0.20 .XX ± 0.15		MATERIAL: RoHS Compliant	DATE: 08/19/2019
THIRD ANGLE PROJECTION		DRAWN: Jun		

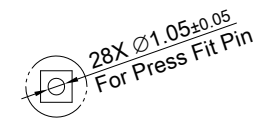
A B C D E F G H



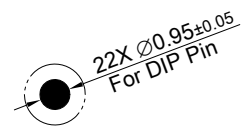
RECOMMENDED PCB LAYOUT  
TOLERANCE:  $\pm 0.05$



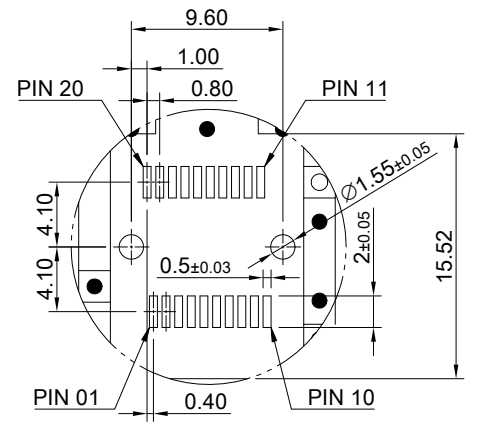
RECOMMENDED BEZEL CUT-OUT



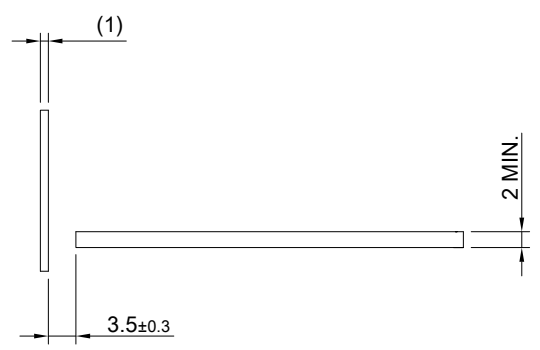
DETAIL B  
SCALE 2:1



DETAIL C  
SCALE 4:1



DETAIL D  
SCALE 2:1



TITLE: SFP+ 1X4 Cage Assembly w/ NET Heat Sink			
DWG#: R-SH-008080-6-K-01		SHEET: 2/2	REV: C
UNIT: mm	SCALE: A4 1:1	CHECKED: Gary Kang	
TOLERANCE: Angle: $\pm 1^\circ$ X. $\pm 0.15$ .X $\pm 0.10$ .XX $\pm 0.05$		MATERIAL: RoHS Compliant	APPROVED: George Yang
		DRAWN: Jun	DATE: 08/19/2019

A B C D E F G H