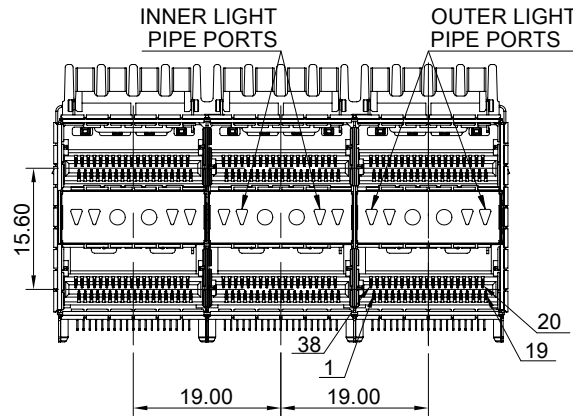
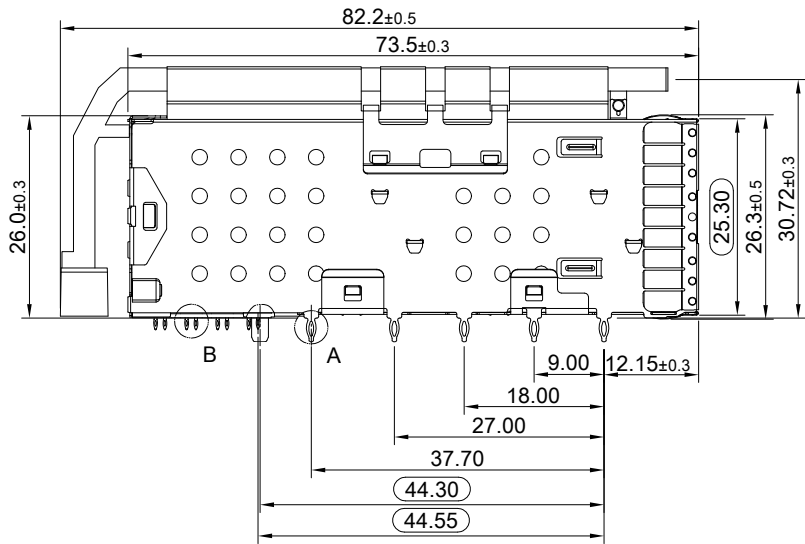
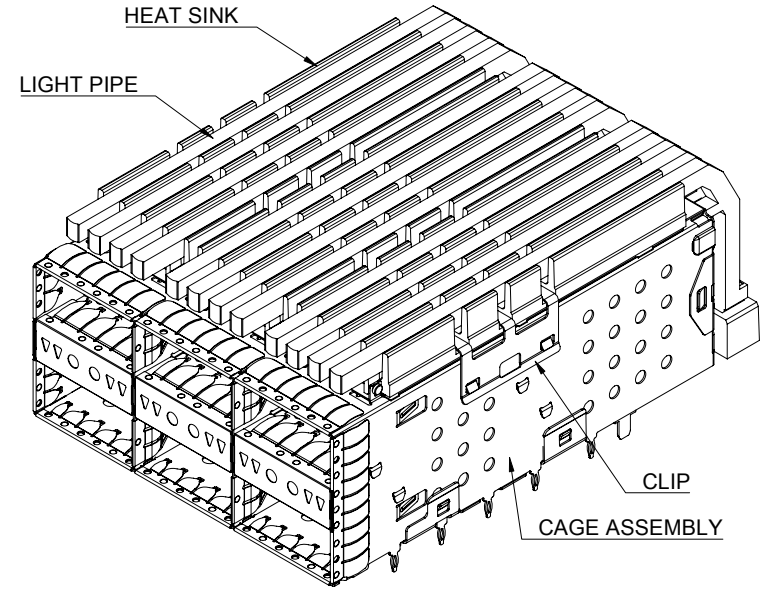


DETAIL B  
SCALE 5:1

DETAIL A  
SCALE 5:1



MATERIAL  
 CAGE: NICKEL SILVER  
 CONNECTOR HOUSING: THERMOPLASTIC, UL 94V-0  
 EMI SPRING: STAINLESS STEEL  
 CONTACTS: COPPER ALLOY  
 HEAT SINK: ALUMINUM  
 HEAT SINK CLIP: STAINLESS STEEL  
 LIGHT PIPE: PC  
 LIGHT SHIELD: THERMOPLASTIC

FINISH  
 HEAT SINK: ANODE PROCESS  
 CONTACT: 15μ" MIN. GOLD ON MATING END;  
 30μ" MIN. MATTE TIN ON TERMINAL END;  
 ALL UNDERPLATED 50μ" MIN. NICKEL

ELECTRICAL CHARACTERISTICS  
 CONTACT CURRENT RATING: 0.5 AMPERE  
 VOLTAGE RATING: 30VAC  
 CONTACT RESISTANCE: 80 mΩ MAX.  
 DIELECTRIC WITHSTANDING VOLTAGE: 300VAC

THIS PRINT IS  
**PRELIMINARY**  
 UNQUALIFIED PRODUCT  
 CONTACT PRODUCT ENGINEERING  
 BEFORE USING THIS PRINT



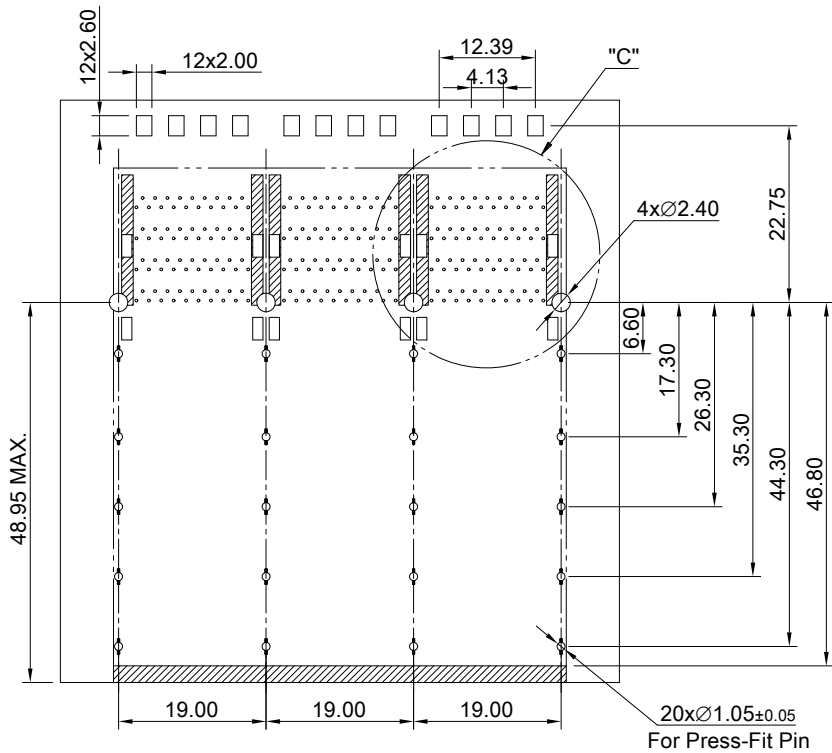
TITLE: Stacked QSFP+ Enhance 2x3 Assembly w/ Internal/ External Light Pipe & Heat Sink

DWG#: R-TR-QEL3-4CMLJ-AIO-4

UNIT: mm SCALE: A4 1:1 FINISH: CHECKED: SHEET: 1/3 REV. REF.

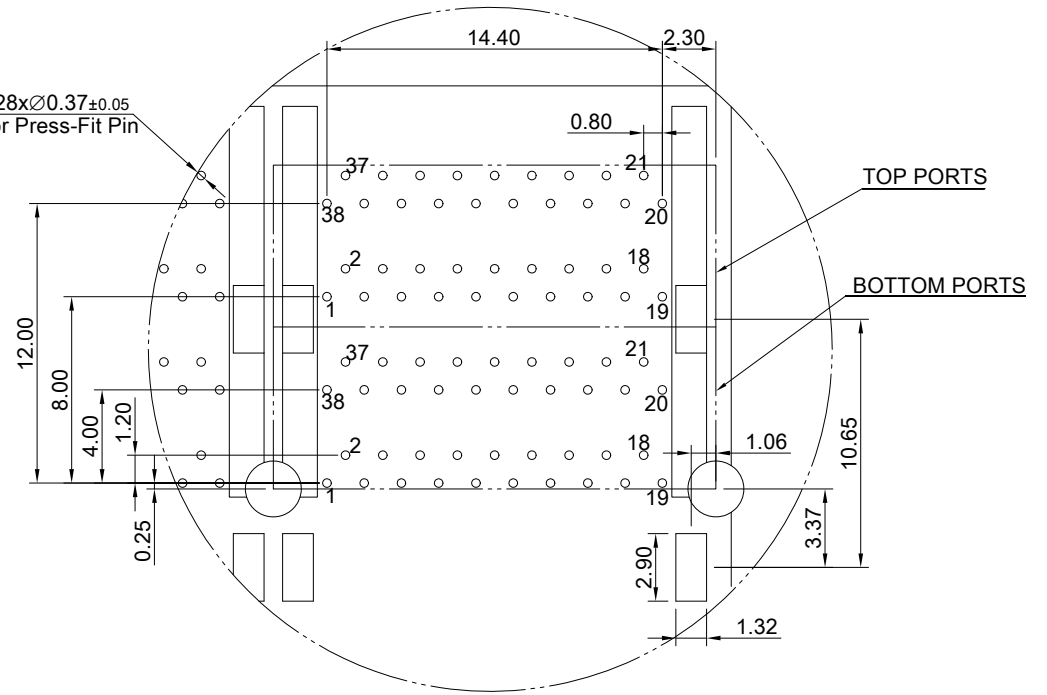
MATERIAL: RoHS Compliant APPROVED:

TOLERANCE: Angle: ± 1° DRAWN: Allen DATE: 03/13/2024  
 X.±0.25 .X±0.20 .XX±0.15



RECOMMENDED PCB LAYOUT  
 TOLERANCE: ±0.05  
 MINIMUM PCB THICKNESS OF 1.57MM

228xØ0.37±0.05  
 For Press-Fit Pin

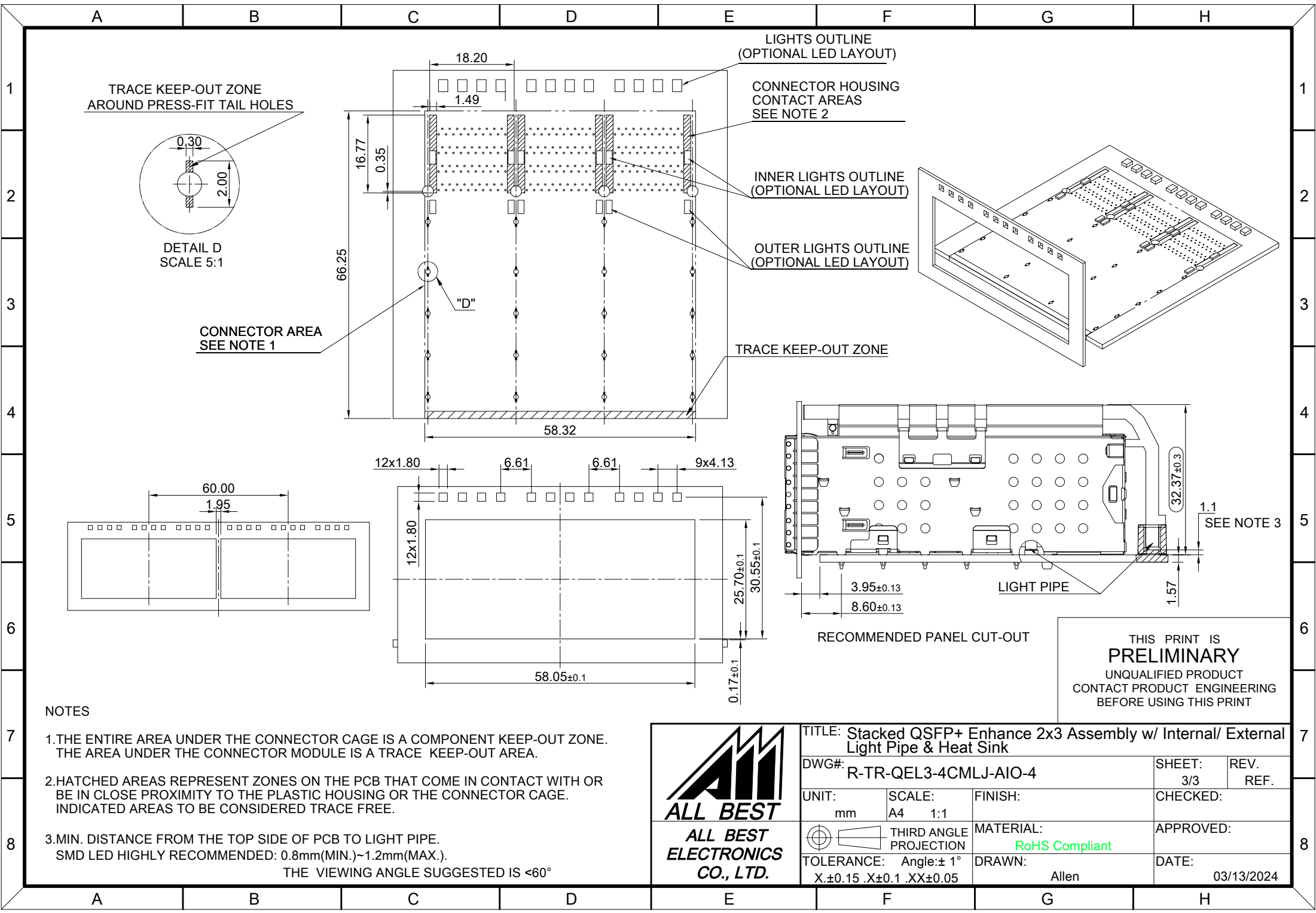


DETAIL C  
 SCALE 3:1

THIS PRINT IS  
**PRELIMINARY**  
 UNQUALIFIED PRODUCT  
 CONTACT PRODUCT ENGINEERING  
 BEFORE USING THIS PRINT



TITLE: Stacked QSFP+ Enhance 2x3 Assembly w/ Internal/ External Light Pipe & Heat Sink				SHEET: 2/3		REV. REF.	
DWG#: R-TR-QEL3-4CMLJ-AIO-4				CHECKED:		APPROVED:	
UNIT: mm	SCALE: A4 1:1	FINISH:		MATERIAL: RoHS Compliant		DATE: 03/13/2024	
TOLERANCE: X:±0.15 .X±0.1 .XX±0.05		THIRD ANGLE PROJECTION		DRAWN: Allen			



THIS PRINT IS  
**PRELIMINARY**  
 UNQUALIFIED PRODUCT  
 CONTACT PRODUCT ENGINEERING  
 BEFORE USING THIS PRINT

- NOTES**
1. THE ENTIRE AREA UNDER THE CONNECTOR CAGE IS A COMPONENT KEEP-OUT ZONE. THE AREA UNDER THE CONNECTOR MODULE IS A TRACE KEEP-OUT AREA.
  2. HATCHED AREAS REPRESENT ZONES ON THE PCB THAT COME IN CONTACT WITH OR BE IN CLOSE PROXIMITY TO THE PLASTIC HOUSING OR THE CONNECTOR CAGE. INDICATED AREAS TO BE CONSIDERED TRACE FREE.
  3. MIN. DISTANCE FROM THE TOP SIDE OF PCB TO LIGHT PIPE.  
 SMD LED HIGHLY RECOMMENDED: 0.8mm(MIN.)~1.2mm(MAX.).  
 THE VIEWING ANGLE SUGGESTED IS <60°



TITLE: Stacked QSFP+ Enhance 2x3 Assembly w/ Internal/ External Light Pipe & Heat Sink			
DWG#: R-TR-QEL3-4CMLJ-AIO-4		SHEET: 3/3	REV. REF.
UNIT: mm	SCALE: A4 1:1	FINISH:	CHECKED:
THIRD ANGLE PROJECTION		MATERIAL: RoHS Compliant	APPROVED:
TOLERANCE: X.±0.15 .X±0.1 .XX±0.05		DRAWN: Allen	DATE: 03/13/2024