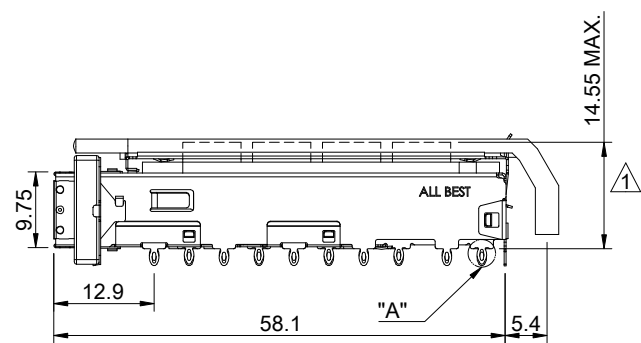
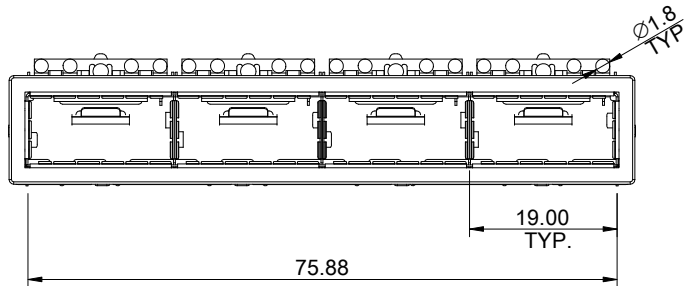
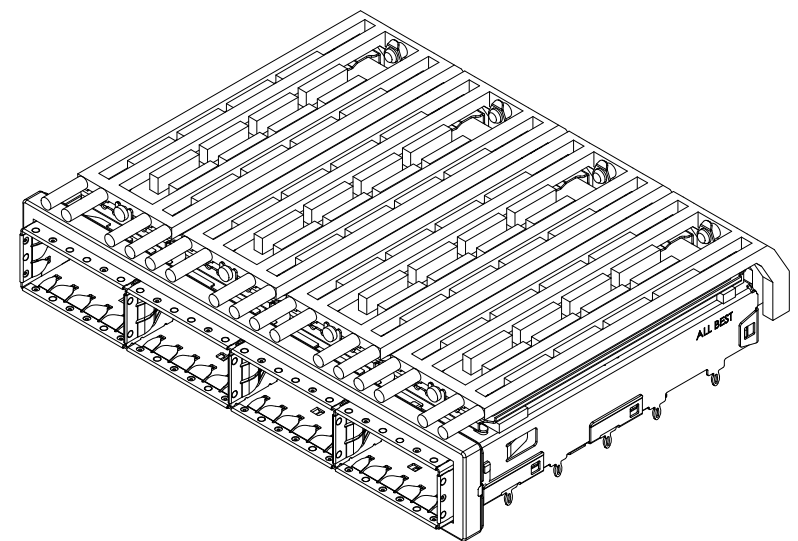


DETAIL A
SCALE 5:1



- MATERIAL**
 CAGE: NICKEL SILVER
 HEAT SINK: ALUMINUM
 HEAT SINK CLIP: STAINLESS STEEL
 EMI SPRING: STAINLESS STEEL
 EMI GASKET FLANGE: STAINLESS STEEL
 EMI GASKET: CONDUCTIVE ELASTOMER
 LIGHT PIPE: PC

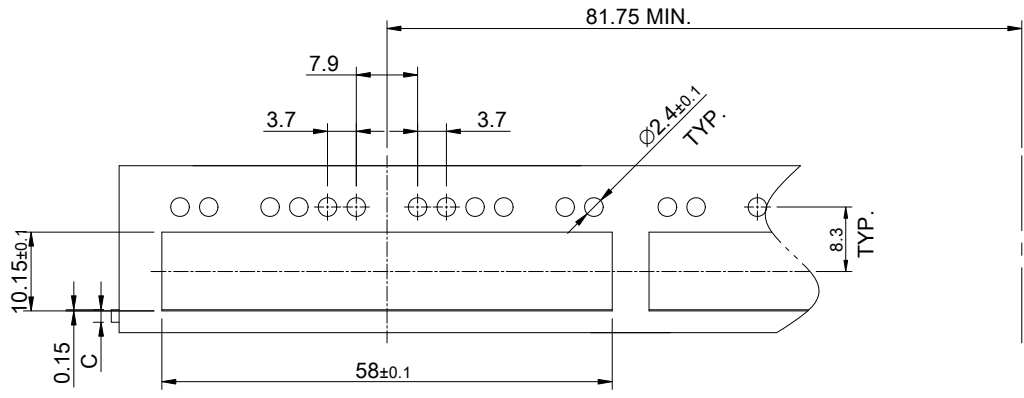
- FINISH**
 HEAT SINK: ANODE PROCESS

NOTE
 ▲ DIMENSION APPLIES WITH MODULE INSERTED IN CAGE

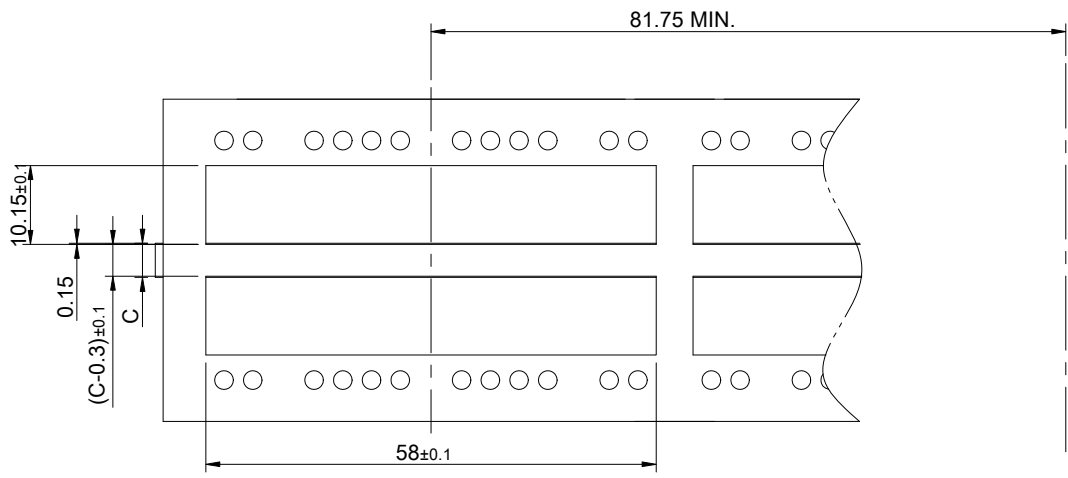
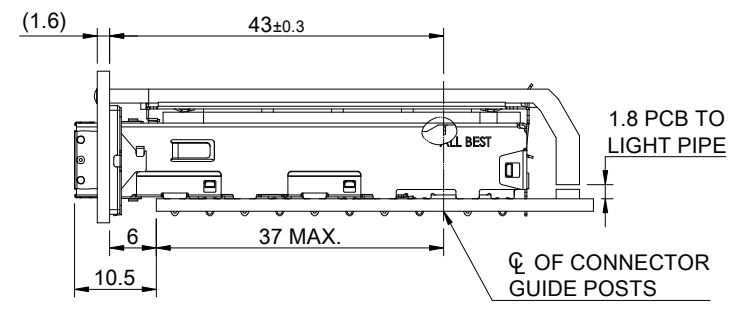
THIS PRINT IS
PRELIMINARY
 UNQUALIFIED PRODUCT
 CONTACT PRODUCT ENGINEERING
 BEFORE USING THIS PRINT



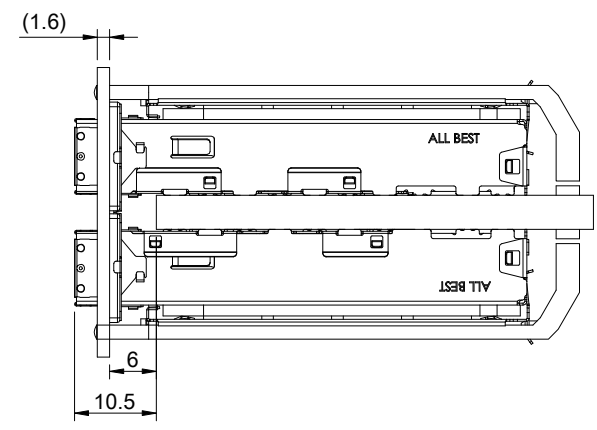
TITLE: QSFP+ 1X4 Cage Assembly w/ Light Pipe & Heat Sink			
DWG#: R-OR-Q4-4CGEG		SHEET: 1/4	REV. REF
UNIT: mm	SCALE: A4 1:1	CHECKED:	
THIRD ANGLE PROJECTION TOLERANCE: Angle: ± 1° X: ± 0.25 .X: ± 0.20 .XX: ± 0.15		MATERIAL: RoHS Compliant	APPROVED:
DRAWN: Gary		DATE: 03/15/2024	



SINGLE-SIDE CONFIGURATION



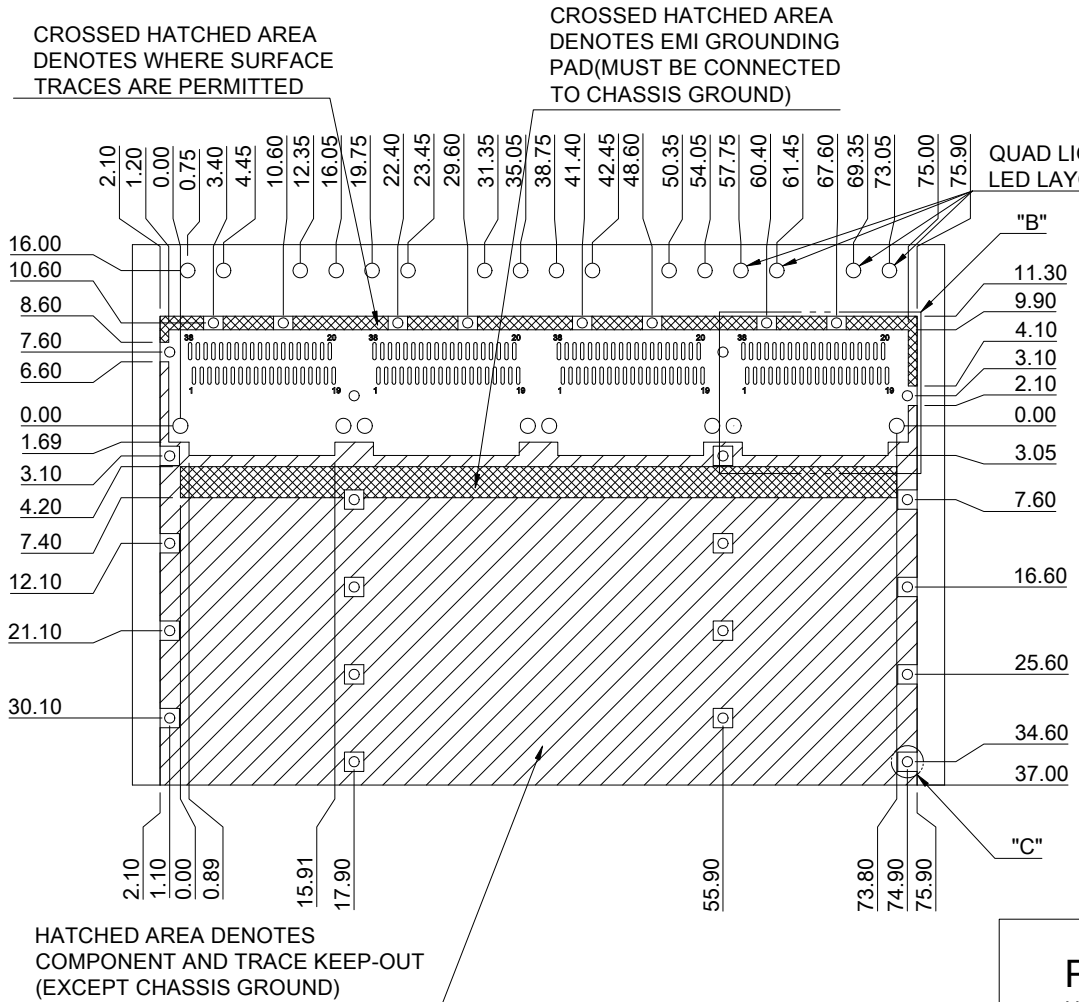
BELLY TO BELLY CONFIGURATION



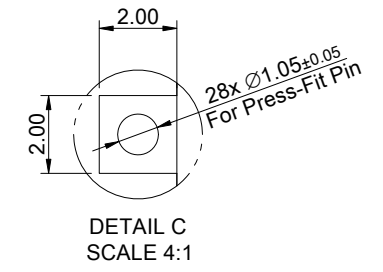
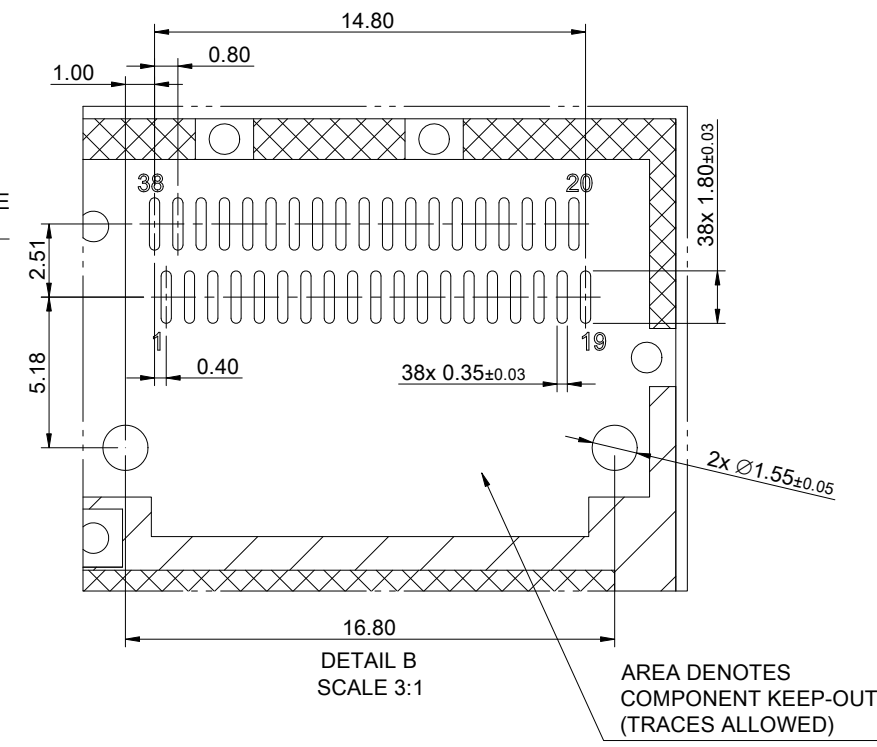
C = THICKNESS OF PC BOARD
 SINGLE-SIDE = 1.6MM (MIN.)
 BELLY TO BELLY = 4.4MM (MIN.)

THIS PRINT IS
PRELIMINARY
 UNQUALIFIED PRODUCT
 CONTACT PRODUCT ENGINEERING
 BEFORE USING THIS PRINT

	TITLE: QSFP+ 1X4 Cage Assembly w/ Light Pipe & Heat Sink		
	DWG#: R-OR-Q4-4CGEG		SHEET: 2/4
UNIT: mm	SCALE: A4 1:1	FINISH:	REV. REF
THIRD ANGLE PROJECTION		MATERIAL: RoHS Compliant	CHECKED:
TOLERANCE: Angle: ± 1°		DRAWN: Gary	APPROVED:
X ± 0.15 .X ± 0.10 .XX ± 0.05			DATE: 03/15/2024

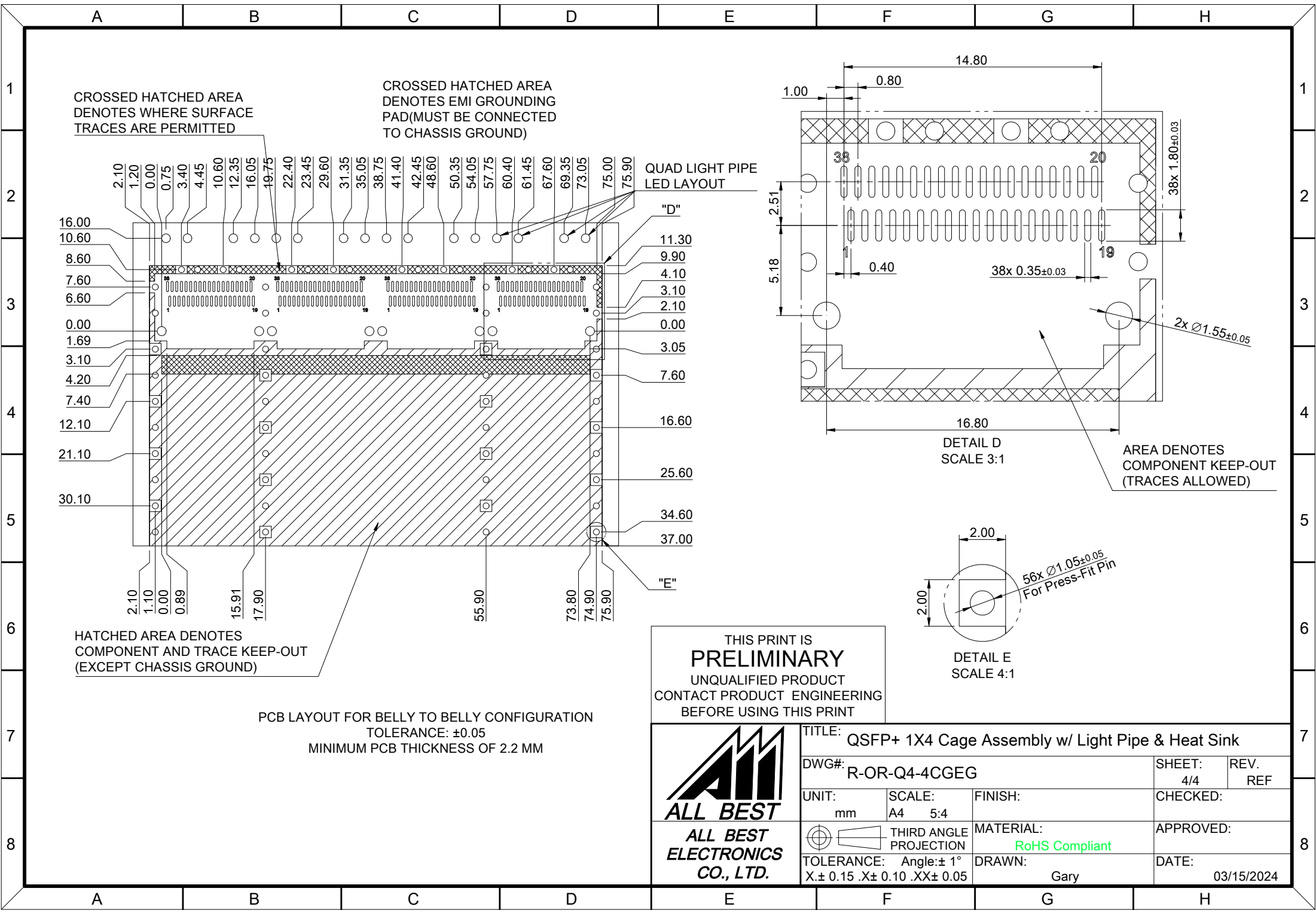


PCB LAYOUT FOR SINGLE-SIDE CONFIGURATION
 TOLERANCE: ± 0.05
 MINIMUM PCB THICKNESS OF 1.6 MM



THIS PRINT IS
PRELIMINARY
 UNQUALIFIED PRODUCT
 CONTACT PRODUCT ENGINEERING
 BEFORE USING THIS PRINT

 ALL BEST ELECTRONICS CO., LTD.	TITLE: QSFP+ 1X4 Cage Assembly w/ Light Pipe & Heat Sink			SHEET: 3/4		REV. REF
	DWG#: R-OR-Q4-4CGEG			CHECKED:		
	UNIT: mm	SCALE: A4 5:4	FINISH:		APPROVED:	
	TOLERANCE: $\text{X} \pm 0.15$.XX ± 0.05		THIRD ANGLE PROJECTION	MATERIAL: RoHS Compliant		DATE: 03/15/2024
DRAWN: Gary						



THIS PRINT IS
PRELIMINARY
 UNQUALIFIED PRODUCT
 CONTACT PRODUCT ENGINEERING
 BEFORE USING THIS PRINT



TITLE: QSFP+ 1X4 Cage Assembly w/ Light Pipe & Heat Sink			
DWG#: R-OR-Q4-4CGEG		SHEET: 4/4	REV. REF
UNIT: mm	SCALE: A4 5:4	CHECKED:	
THIRD ANGLE PROJECTION		MATERIAL: RoHS Compliant	APPROVED:
TOLERANCE: Angle: ± 1° X ± 0.15 .X ± 0.10 .XX ± 0.05		DRAWN: Gary	DATE: 03/15/2024