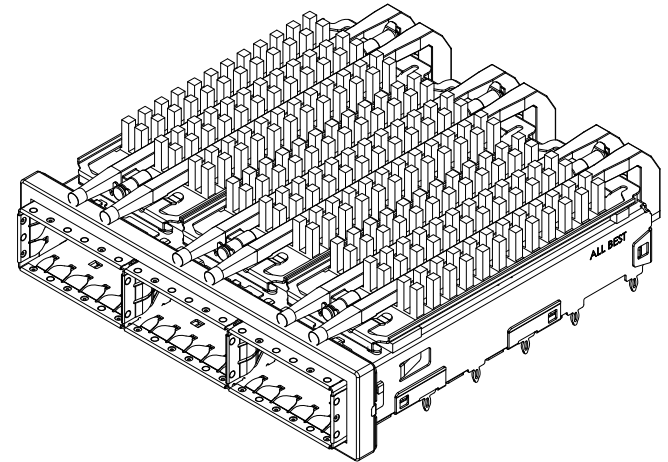


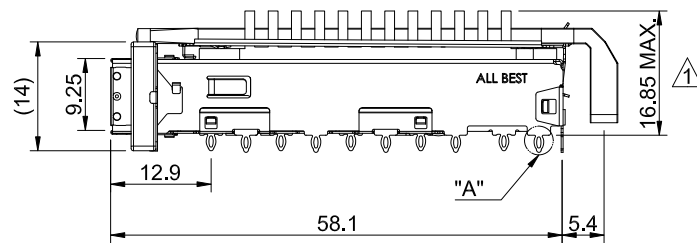
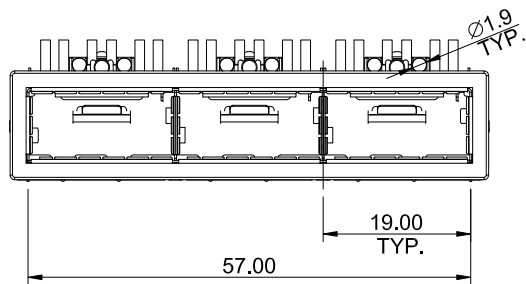
DETAIL A
SCALE 5:1



MATERIAL
 CAGE: NICKEL SILVER
 HEAT SINK: ALUMINUM
 HEAT SINK CLIP: STAINLESS STEEL
 EMI SPRING: STAINLESS STEEL
 EMI GASKET FLANGE: STAINLESS STEEL
 EMI GASKET: CONDUCTIVE ELASTOMER
 LIGHT PIPE: PC

FINISH
 HEAT SINK: ANODE PROCESS

NOTE
 ▲ DIMENSION APPLIES WITH MODULE INSERTED IN CAGE

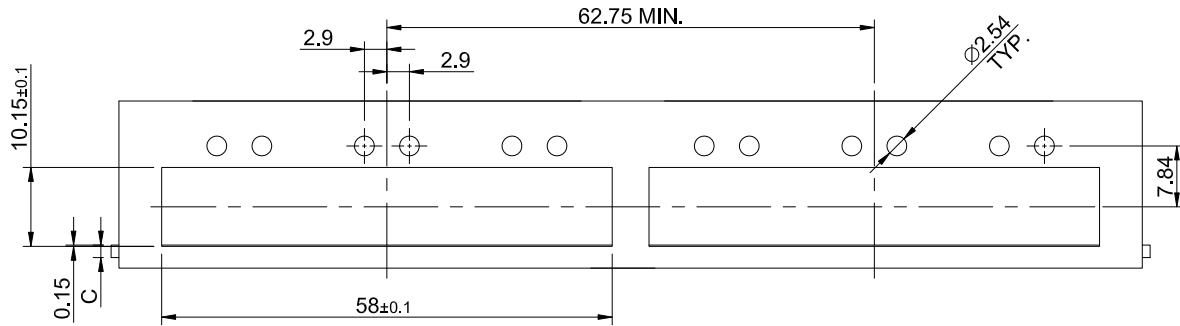


	TITLE: QSFP+ 1X3 Cage Assembly w/ Light Pipe & Heat Sink			
	DWG#: R-OR-Q3-4CGE4		SHEET: 1/4	REV. C
	UNIT: mm	SCALE: A4 1:1	CHECKED: Gary Yang	
	THIRD ANGLE PROJECTION TOLERANCE: Angle: ± 1° X.± 0.25 .X± 0.20 .XX± 0.15		MATERIAL: RoHS Compliant	APPROVED: George Yang
		DRAWN: Boris	DATE: 08/23/2018	

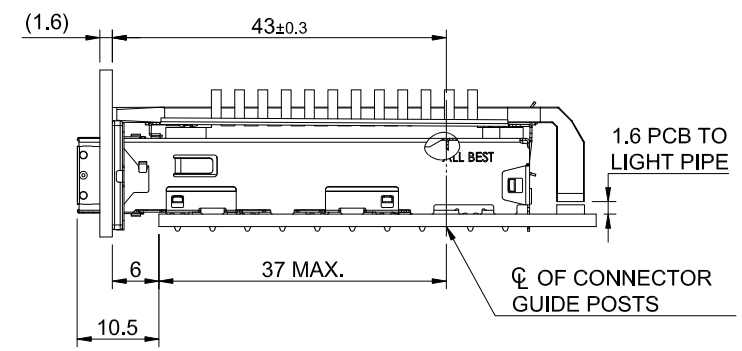
A B C D E F G H

1

1



ONE SIDED CONFIGURATION



2

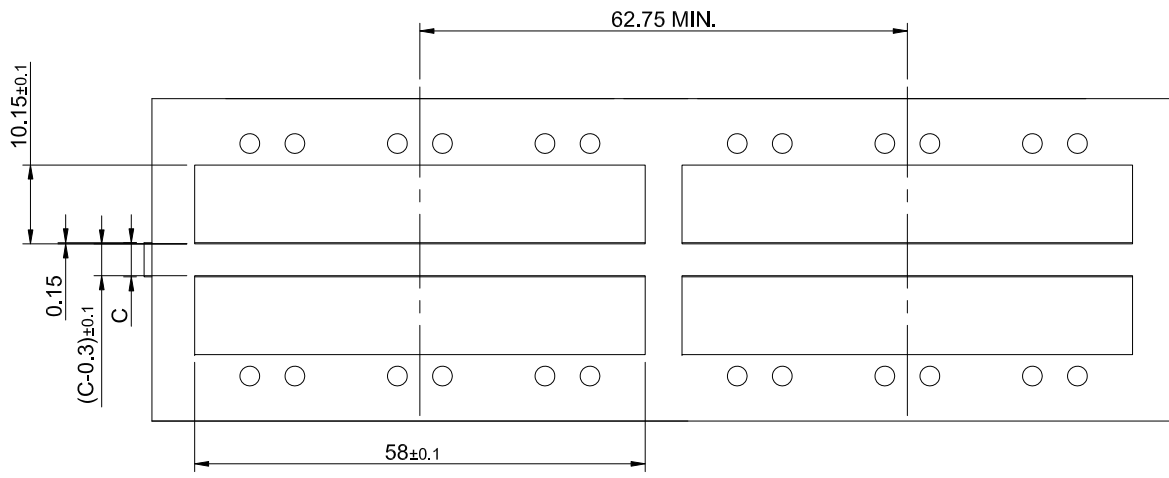
2

3

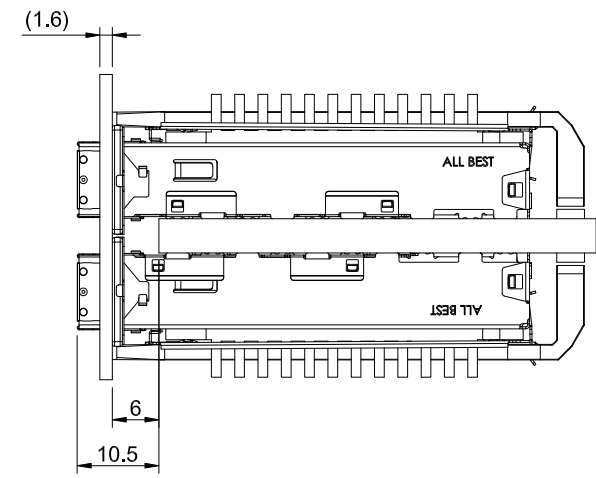
3

4

4



BELLY TO BELLY CONFIGURATION



5

5

6

6

C=THICKNESS OF PC BOARD
 SINGLE SIDED=1.6MM(MIN)
 DOUBLE SIDE=4.4MM(MIN)

7

7

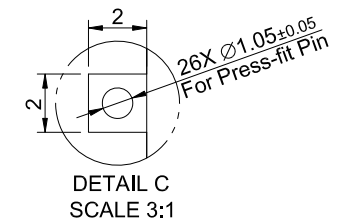
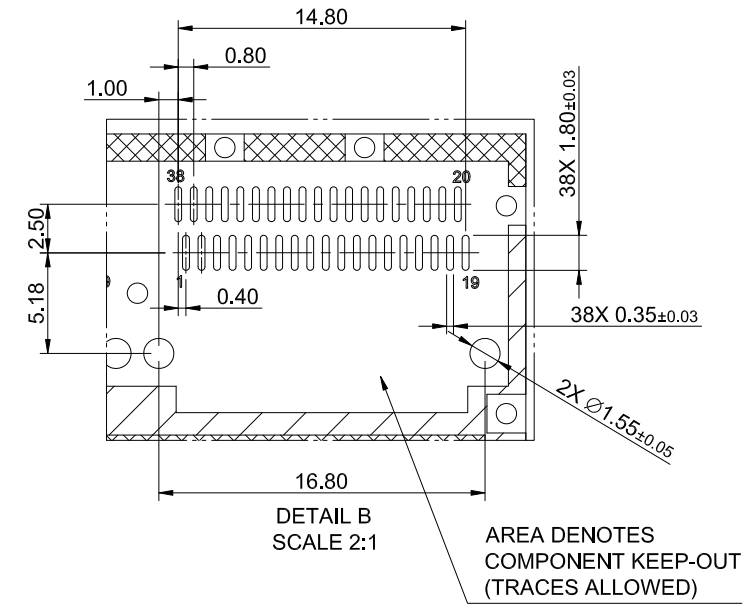
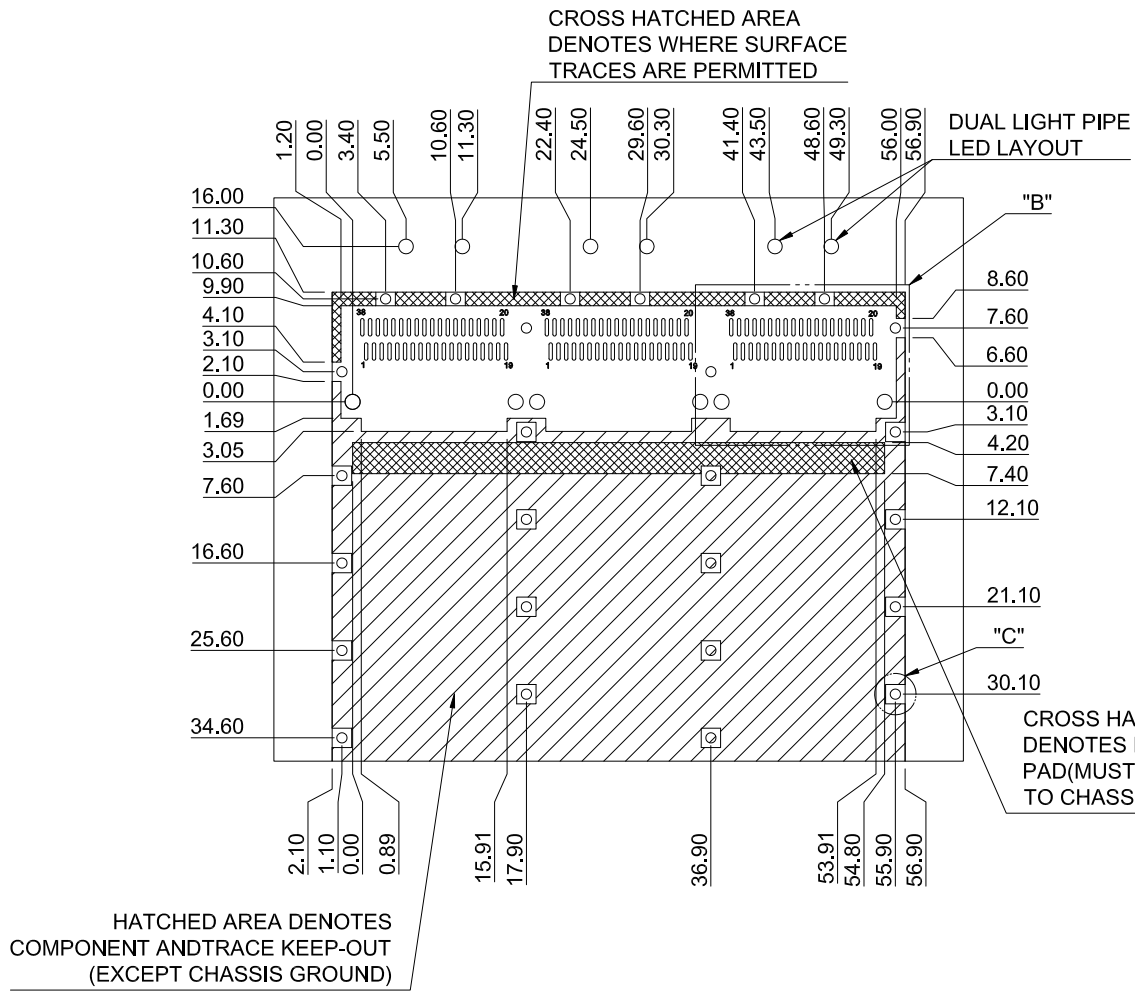


TITLE: QSFP+ 1X3 Cage Assembly w/ Light Pipe & Heat Sink			
DWG#: R-OR-Q3-4CGE4		SHEET: 2/4	REV. C
UNIT: mm	SCALE: A4 1:1	FINISH:	CHECKED: Gary Yang
THIRD ANGLE PROJECTION		MATERIAL: RoHS Compliant	APPROVED: George Yang
TOLERANCE: Angle: ± 1° X.± 0.15 .X± 0.10 .XX± 0.05		DRAWN: Boris	DATE: 08/23/2018


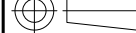
8

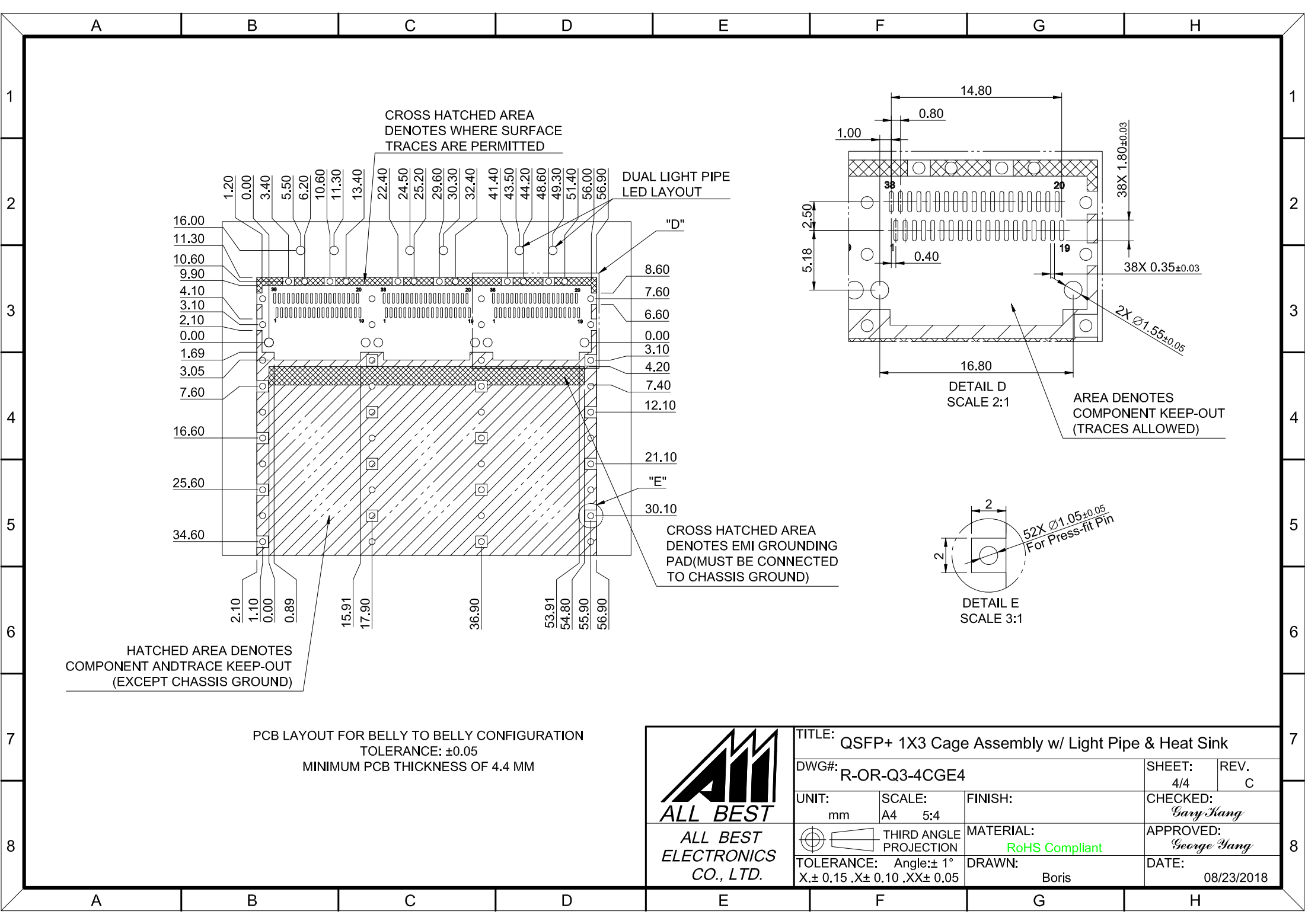
8

A B C D E F G H



PCB LAYOUT FOR SINGLE-SIDE CONFIGURATION
 TOLERANCE: ±0.05
 MINIMUM PCB THICKNESS OF 1.6 MM

 ALL BEST ELECTRONICS CO., LTD.		TITLE: QSFP+ 1X3 Cage Assembly w/ Light Pipe & Heat Sink	
		DWG#: R-OR-Q3-4CGE4	SHEET: 3/4 REV.: C
UNIT: mm	SCALE: A4 5:4	FINISH:	CHECKED: <i>Gary Yang</i>
 THIRD ANGLE PROJECTION	TOLERANCE: Angle: ± 1° X ± 0.15 .X ± 0.10 .XX ± 0.05	MATERIAL: RoHS Compliant	APPROVED: <i>George Yang</i>
		DRAWN: Boris	DATE: 08/23/2018



TITLE: QSFP+ 1X3 Cage Assembly w/ Light Pipe & Heat Sink			
DWG#: R-OR-Q3-4CGE4		SHEET: 4/4	REV. C
UNIT: mm	SCALE: A4 5:4	FINISH:	CHECKED: Gary Yang
THIRD ANGLE PROJECTION		MATERIAL: RoHS Compliant	APPROVED: George Yang
TOLERANCE: Angle: ± 1° X ± 0.15 .X ± 0.10 .XX ± 0.05		DRAWN: Boris	DATE: 08/23/2018