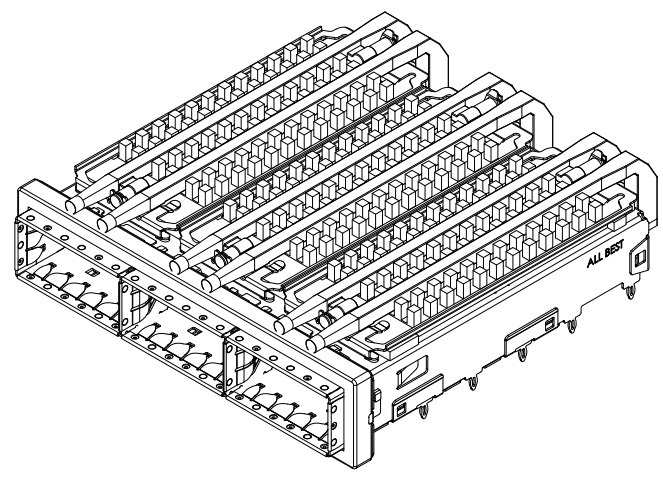


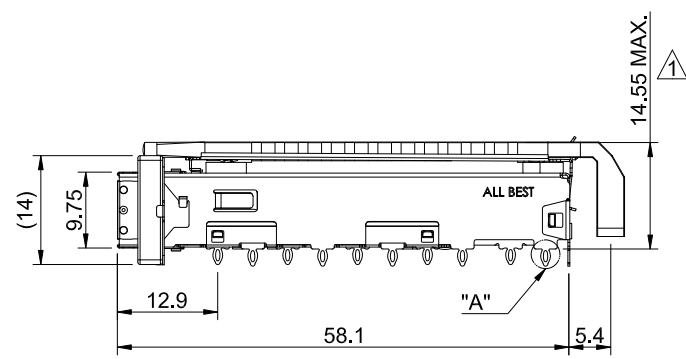
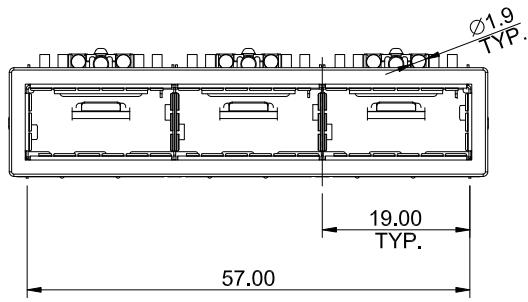
DETAIL A  
SCALE 5:1



- MATERIAL**  
 CAGE: NICKEL SILVER  
 HEAT SINK: ALUMINUM  
 HEAT SINK CLIP: STAINLESS STEEL  
 EMI SPRING: STAINLESS STEEL  
 EMI GASKET FLANGE: STAINLESS STEEL  
 EMI GASKET: CONDUCTIVE ELASTOMER  
 LIGHT PIPE: PC

- FINISH**  
 HEAT SINK: ANODE PROCESS

**NOTE**  
 ▲ DIMENSION APPLIES WITH MODULE INSERTED IN CAGE

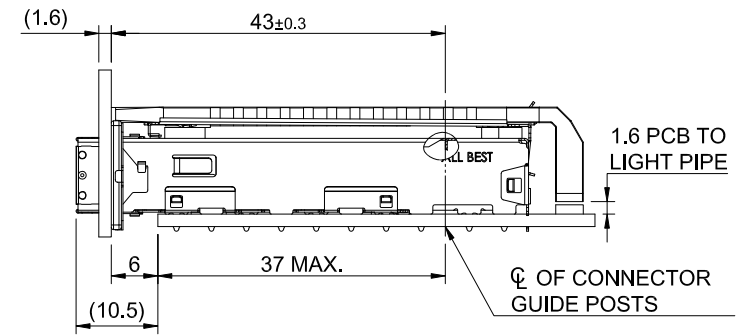
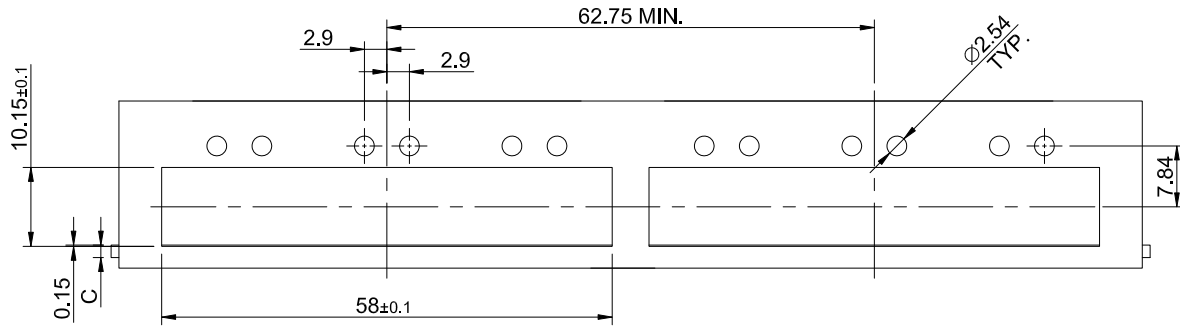


	TITLE: QSFP+ 1X3 Cage Assembly w/ Light Pipe & Heat Sink			
	DWG#: R-OR-Q3-4CGE5		SHEET: 1/4	REV. C
	UNIT: mm	SCALE: A4 1:1	CHECKED: Gary Yang	
	TOLERANCE: X.± 0.25 .X± 0.20 .XX± 0.15		MATERIAL: RoHS Compliant	APPROVED: George Yang
THIRD ANGLE PROJECTION		DRAWN: Boris	DATE: 08/24/2018	

A B C D E F G H

1

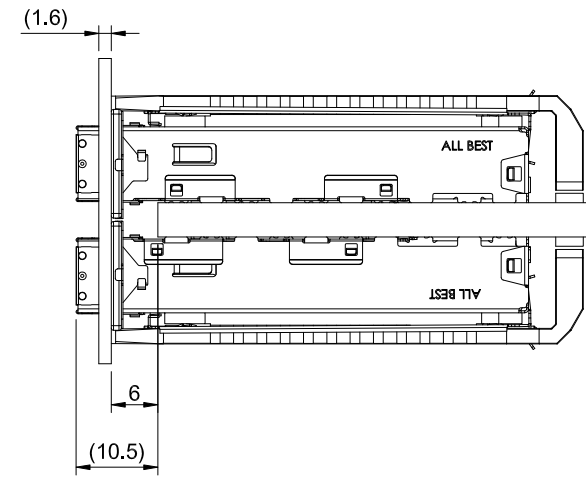
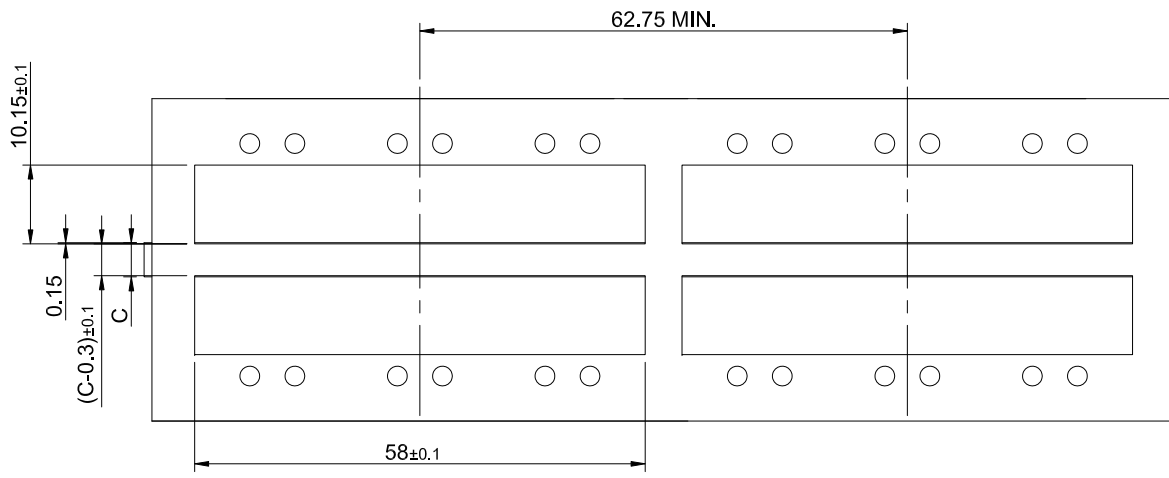
1



ONE SIDED CONFIGURATION

3

3



BELLY TO BELLY CONFIGURATION

4

4

5

5

6

6

C=THICKNESS OF PC BOARD  
 SINGLE SIDED=1.6MM(MIN)  
 DOUBLE SIDE=4.4MM(MIN)



TITLE: QSFP+ 1X3 Cage Assembly w/ Light Pipe & Heat Sink

DWG#: R-OR-Q3-4CGE5

UNIT: mm	SCALE: A4 1:1	FINISH:	SHEET: 2/4	REV. C
THIRD ANGLE PROJECTION			CHECKED: <i>Gary Yang</i>	

MATERIAL: RoHS Compliant	APPROVED: <i>George Yang</i>
-----------------------------	---------------------------------

TOLERANCE: Angle: ± 1° X.± 0.15 .X± 0.10 .XX± 0.05	DRAWN: Boris	DATE: 08/24/2018
---	-----------------	---------------------

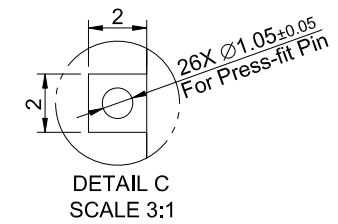
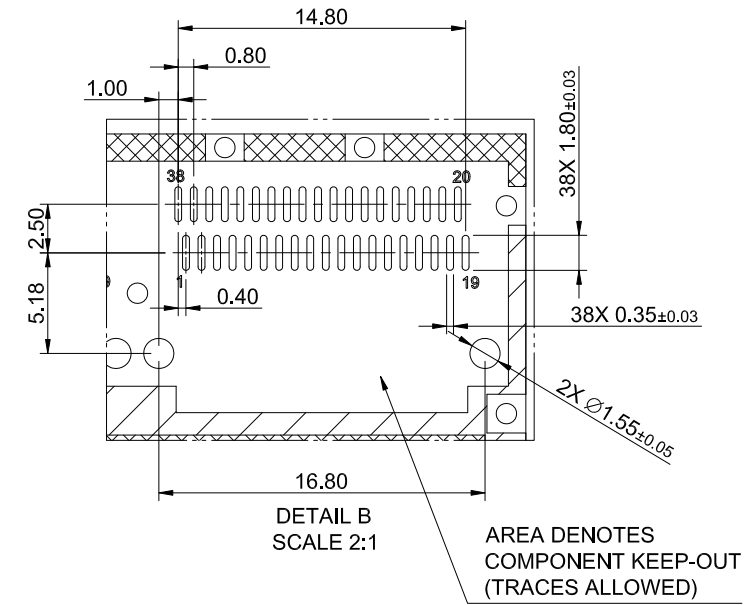
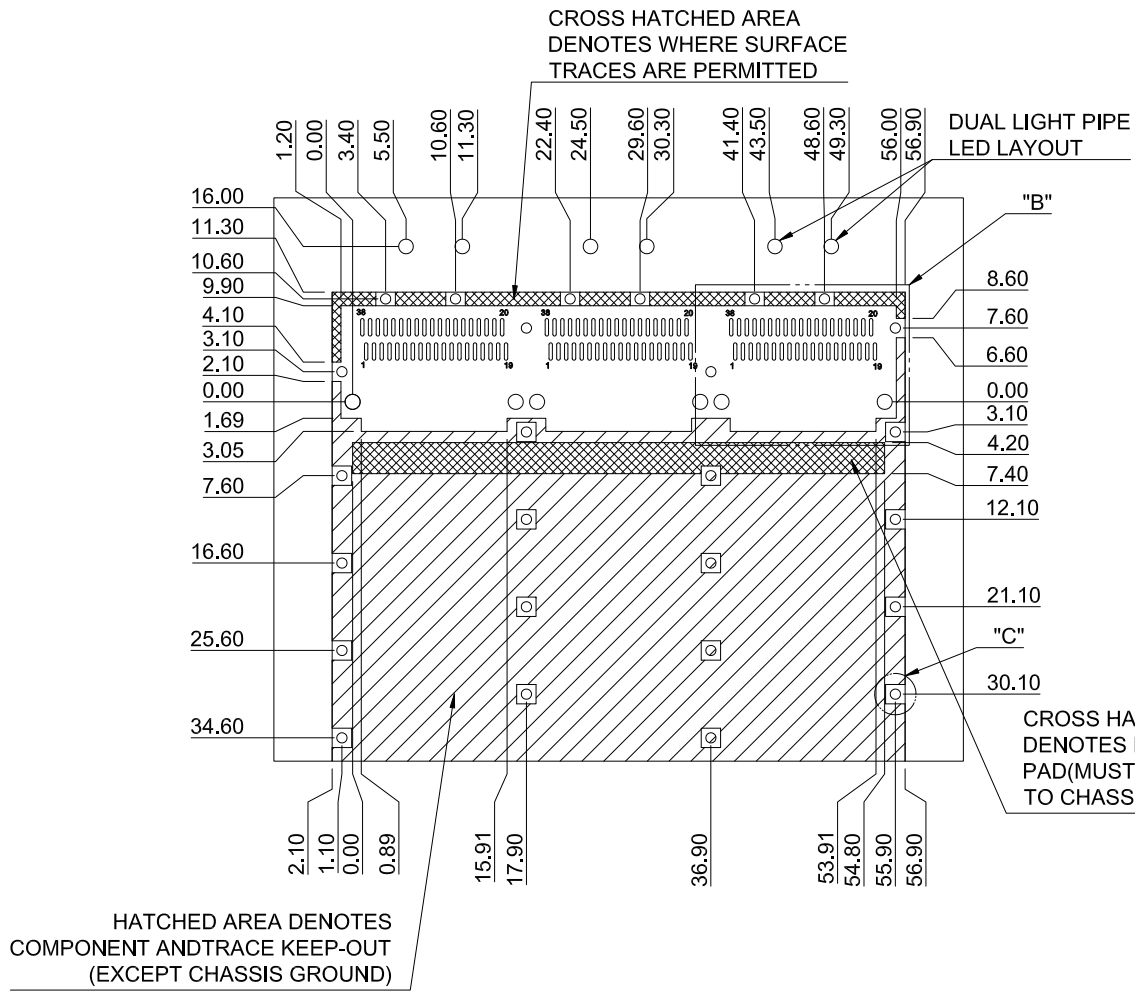
7

7


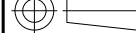
8

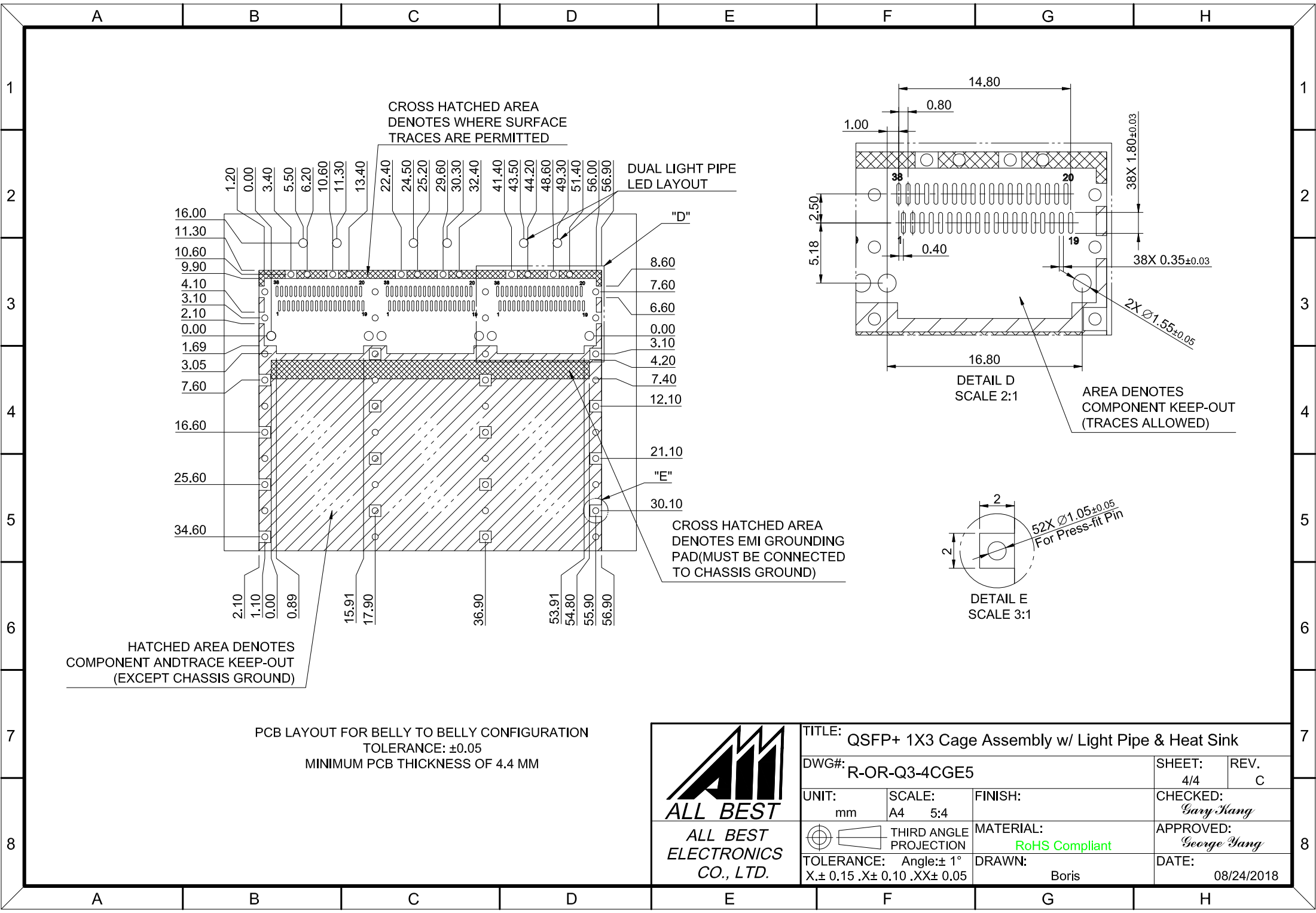
8

A B C D E F G H



PCB LAYOUT FOR SINGLE-SIDE CONFIGURATION  
 TOLERANCE: ±0.05  
 MINIMUM PCB THICKNESS OF 1.6 MM

 <b>ALL BEST ELECTRONICS CO., LTD.</b>		<b>TITLE:</b> QSFP+ 1X3 Cage Assembly w/ Light Pipe & Heat Sink	
		<b>DWG#:</b> R-OR-Q3-4CGE5	<b>SHEET:</b> 3/4 <b>REV.:</b> C
<b>UNIT:</b> mm	<b>SCALE:</b> A4 5:4	<b>FINISH:</b>	<b>CHECKED:</b> <i>Gary Yang</i>
 <b>THIRD ANGLE PROJECTION</b>	<b>TOLERANCE:</b> Angle: ± 1° X ± 0.15 .X ± 0.10 .XX ± 0.05	<b>MATERIAL:</b> RoHS Compliant	<b>APPROVED:</b> <i>George Yang</i>
		<b>DRAWN:</b> Boris	<b>DATE:</b> 08/24/2018



TITLE: QSFP+ 1X3 Cage Assembly w/ Light Pipe & Heat Sink			
DWG#: R-OR-Q3-4CGE5		SHEET: 4/4	REV. C
UNIT: mm	SCALE: A4 5:4	FINISH:	CHECKED: Gary Yang
THIRD ANGLE PROJECTION		MATERIAL: RoHS Compliant	APPROVED: George Yang
TOLERANCE: Angle: ± 1° X ± 0.15 .X ± 0.10 .XX ± 0.05		DRAWN: Boris	DATE: 08/24/2018