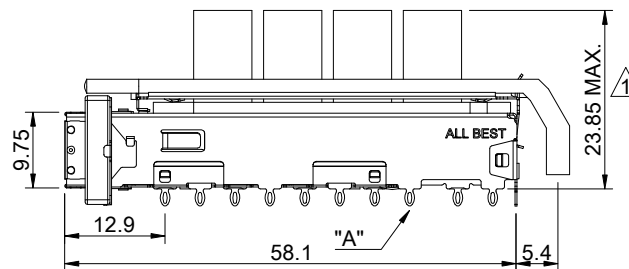
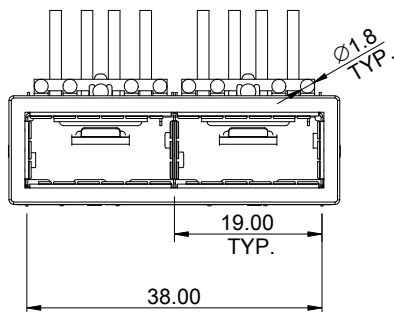
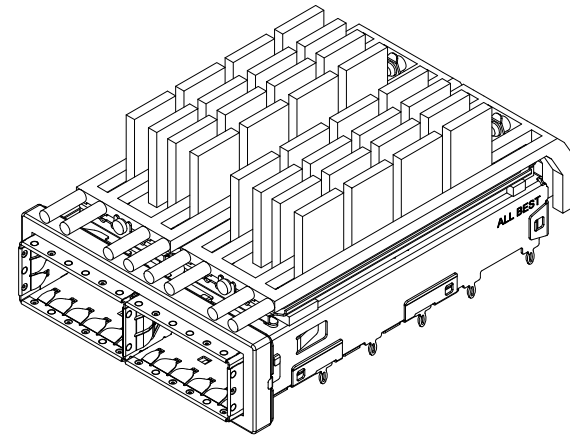


DETAIL A  
SCALE 5:1



MATERIAL  
 CAGE: NICKEL SILVER  
 HEAT SINK: ALUMINUM  
 HEAT SINK CLIP: STAINLESS STEEL  
 EMI SPRING: STAINLESS STEEL  
 EMI GASKET FLANGE: STAINLESS STEEL  
 EMI GASKET: CONDUCTIVE ELASTOMER  
 LIGHT PIPE: PC

FINISH  
 HEAT SINK: ANODE PROCESS

NOTE  
 ▲ DIMENSION APPLIES WITH MODULE INSERTED IN CAGE

THIS PRINT IS  
**PRELIMINARY**  
 UNQUALIFIED PRODUCT  
 CONTACT PRODUCT ENGINEERING  
 BEFORE USING THIS PRINT



TITLE: QSFP+ 1X2 Cage Assembly w/ Light Pipe & Heat Sink

DWG#: R-OR-Q2-4CGEE

SHEET: 1/4  
 REV. REF

UNIT: mm

SCALE: A4 1:1

FINISH:

CHECKED:

THIRD ANGLE PROJECTION

MATERIAL: RoHS Compliant

APPROVED:

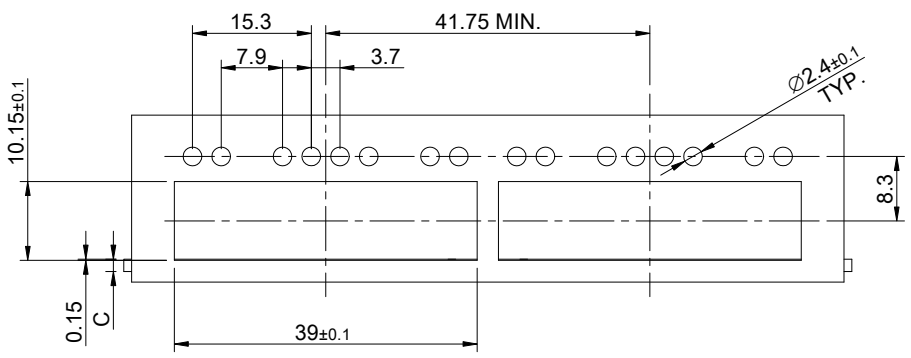
TOLERANCE: Angle: ± 1°  
 X ± 0.25 .X ± 0.20 .XX ± 0.15

DRAWN: Gary

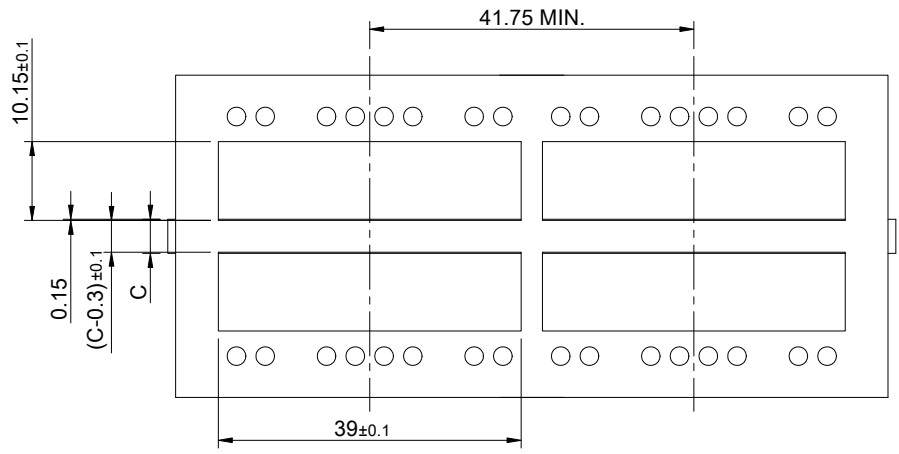
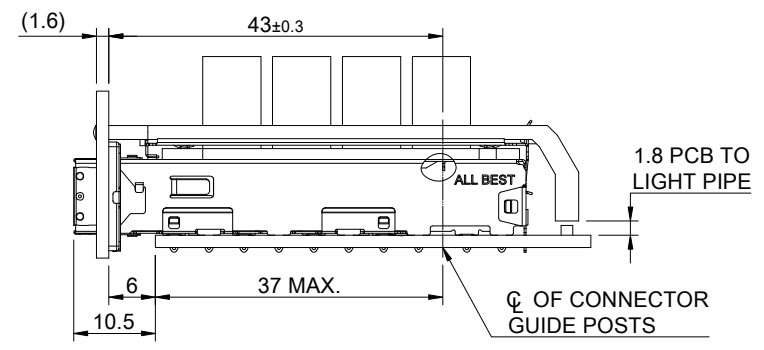
DATE: 03/15/2024

A B C D E F G H

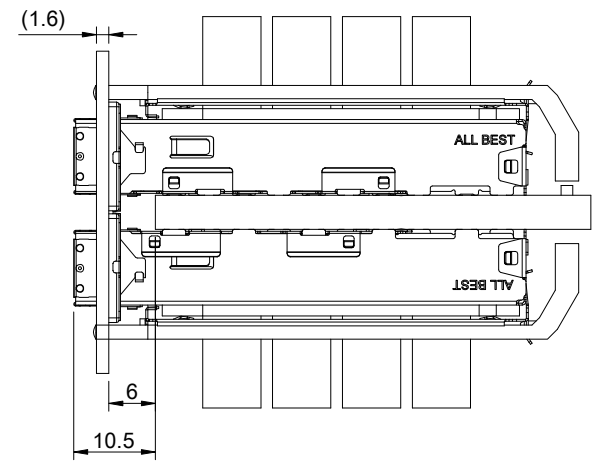
1  
2  
3  
4  
5  
6  
7  
8



SINGLE-SIDE CONFIGURATION



BELLY TO BELLY CONFIGURATION



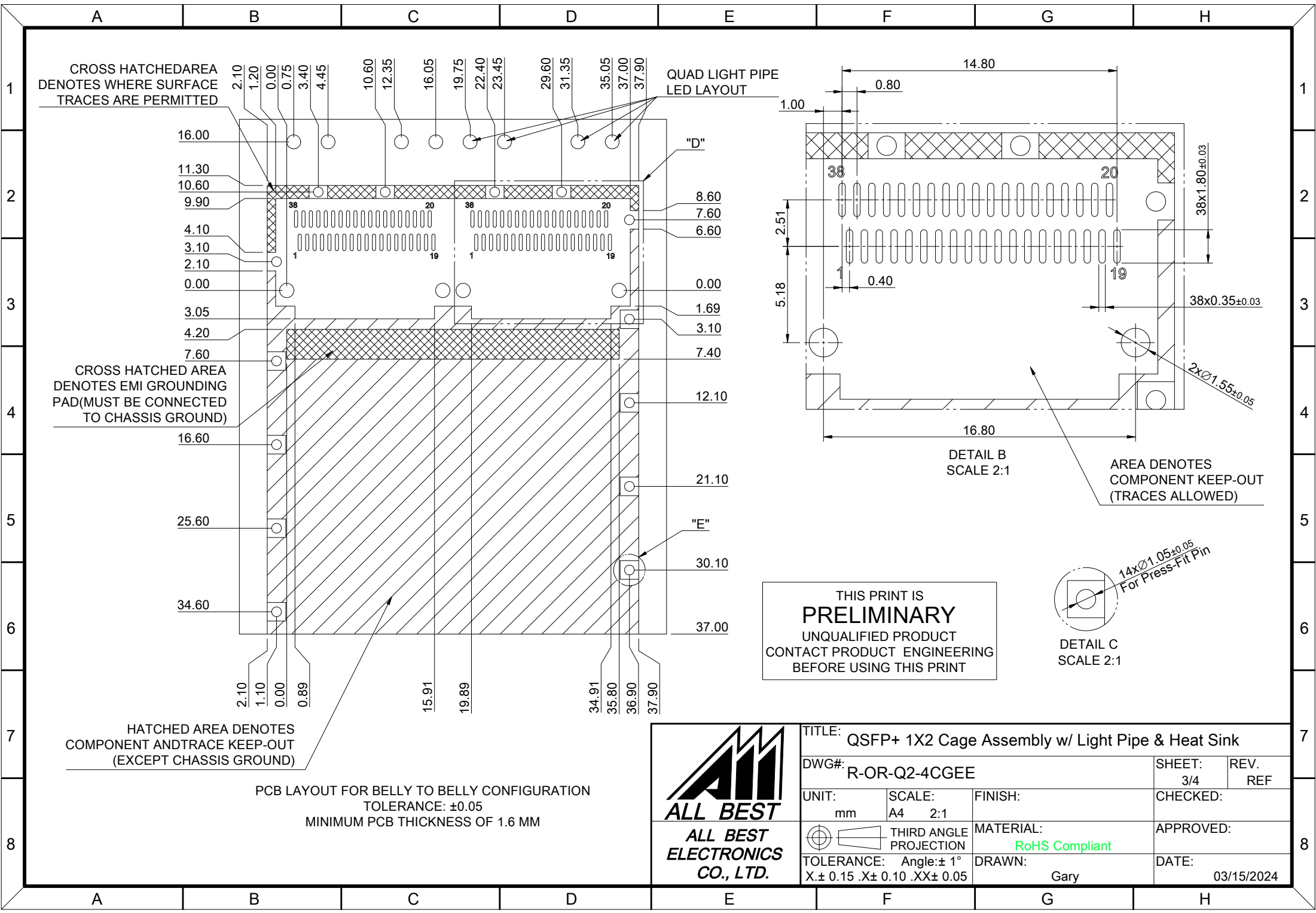
C = THICKNESS OF PC BOARD  
 SINGLE-SIDE = 1.6MM (MIN.)  
 BELLY TO BELLY = 4.4MM (MIN.)

THIS PRINT IS  
**PRELIMINARY**  
 UNQUALIFIED PRODUCT  
 CONTACT PRODUCT ENGINEERING  
 BEFORE USING THIS PRINT



TITLE: QSFP+ 1X2 Cage Assembly w/ Light Pipe & Heat Sink			
DWG#: R-OR-Q2-4CGEE		SHEET: 2/4	REV. REF
UNIT: mm	SCALE: A4 1:1	CHECKED:	
TOLERANCE: Angle: ± 1° X ± 0.15 .X ± 0.10 .XX ± 0.05		MATERIAL: RoHS Compliant	APPROVED:
THIRD ANGLE PROJECTION		DRAWN: Gary	DATE: 03/15/2024

A B C D E F G H



CROSS HATCHED AREA DENOTES WHERE SURFACE TRACES ARE PERMITTED

CROSS HATCHED AREA DENOTES EMI GROUNDING PAD (MUST BE CONNECTED TO CHASSIS GROUND)

HATCHED AREA DENOTES COMPONENT AND TRACE KEEP-OUT (EXCEPT CHASSIS GROUND)

QUAD LIGHT PIPE LED LAYOUT

DETAIL B SCALE 2:1

AREA DENOTES COMPONENT KEEP-OUT (TRACES ALLOWED)

THIS PRINT IS PRELIMINARY UNQUALIFIED PRODUCT CONTACT PRODUCT ENGINEERING BEFORE USING THIS PRINT

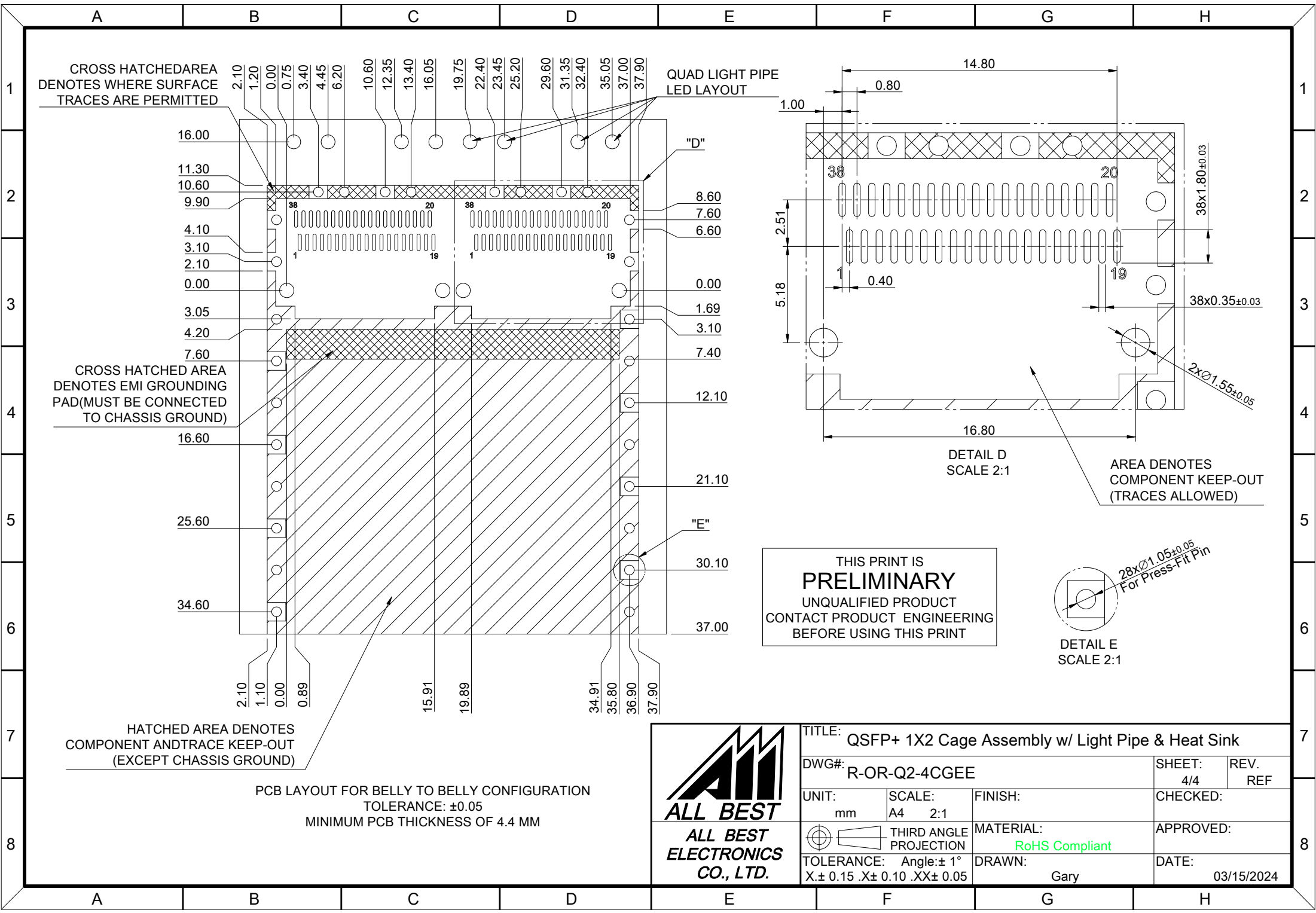
DETAIL C SCALE 2:1

14xØ1.05±0.05 For Press-Fit Pin

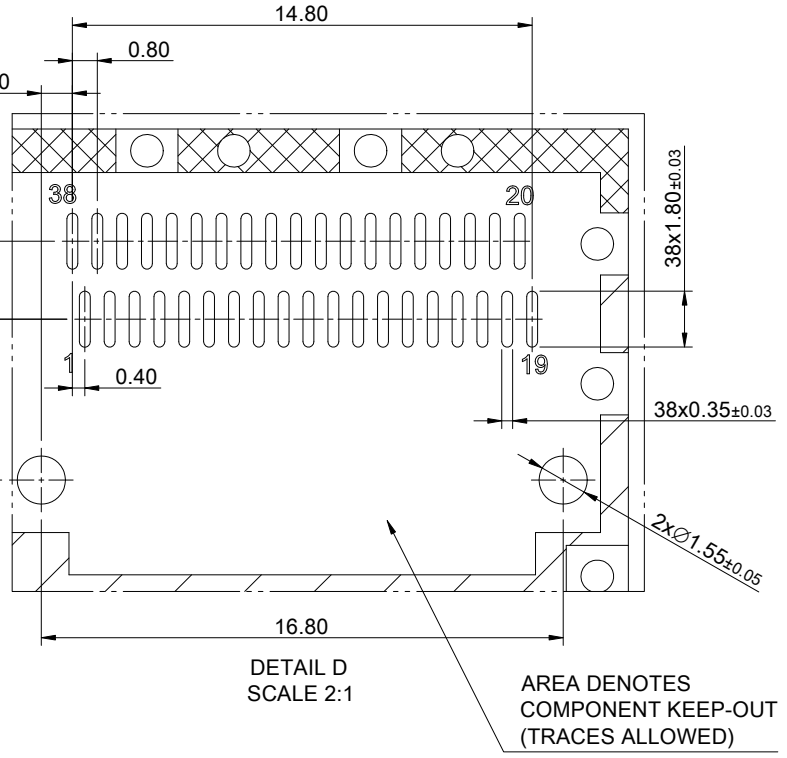
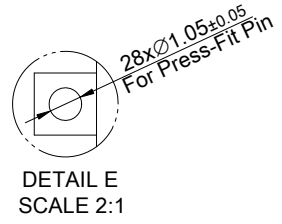
PCB LAYOUT FOR BELLY TO BELLY CONFIGURATION TOLERANCE: ±0.05 MINIMUM PCB THICKNESS OF 1.6 MM



TITLE: QSFP+ 1X2 Cage Assembly w/ Light Pipe & Heat Sink			
DWG#: R-OR-Q2-4CGEE		SHEET: 3/4	REV. REF
UNIT: mm	SCALE: A4 2:1	FINISH:	CHECKED:
THIRD ANGLE PROJECTION		MATERIAL: RoHS Compliant	APPROVED:
TOLERANCE: Angle: ± 1° X ± 0.15 .X ± 0.10 .XX ± 0.05		DRAWN: Gary	DATE: 03/15/2024



THIS PRINT IS  
**PRELIMINARY**  
 UNQUALIFIED PRODUCT  
 CONTACT PRODUCT ENGINEERING  
 BEFORE USING THIS PRINT



PCB LAYOUT FOR BELLY TO BELLY CONFIGURATION  
 TOLERANCE: ±0.05  
 MINIMUM PCB THICKNESS OF 4.4 MM

TITLE: QSFP+ 1X2 Cage Assembly w/ Light Pipe & Heat Sink			
DWG#: R-OR-Q2-4CGEE		SHEET: 4/4	REV. REF
UNIT: mm	SCALE: A4 2:1	FINISH:	CHECKED:
TOLERANCE: Angle: ± 1° X ± 0.15 .X ± 0.10 .XX ± 0.05		MATERIAL: RoHS Compliant	APPROVED:
DRAWN: Gary		DATE: 03/15/2024	