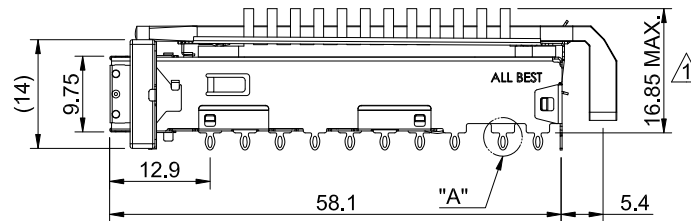
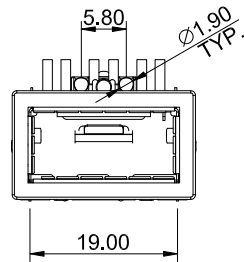
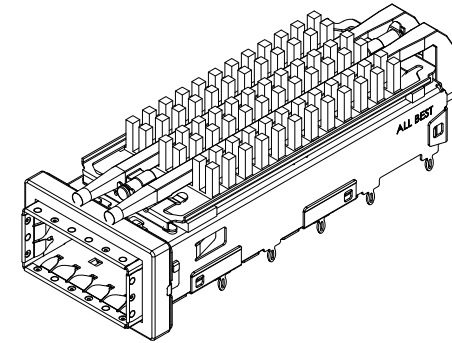


DETAIL A
SCALE 5 : 1



MATERIAL
 CAGE: NICKEL SILVER
 HEAT SINK: ALUMINUM
 HEAT SINK CLIP: STAINLESS STEEL
 EMI SPRING: STAINLESS STEEL
 EMI GASKET FLANGE: STAINLESS STEEL
 EMI GASKET: CONDUCTIVE ELASTOMER
 FRLIGHT PIPE: PC

FINISH
 HEAT SINK: ANODE PROCESS

NOTE
 ▲ DIMENSION APPLIES WITH MODULE INSERTED IN CAGE



TITLE: QSFP+ 1X1 Cage Assembly w/ Light Pipe & Heat Sink

DWG#: R-OR-Q1-4CGE4

SHEET: 1/4
 REV. C

UNIT: mm
 SCALE: A4 1:1

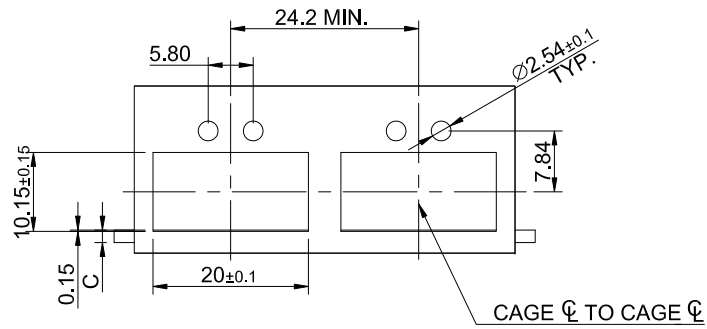
FINISH:
 CHECKED: Gary Kang

THIRD ANGLE PROJECTION

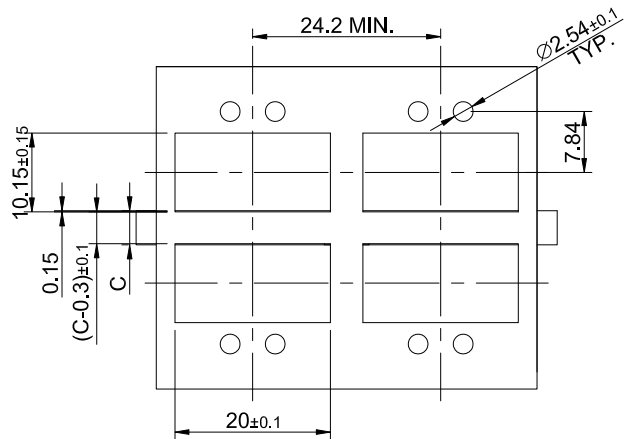
MATERIAL: RoHS Compliant
 APPROVED: George Yang

TOLERANCE: Angle: ± 1°
 X.± 0.25 .X± 0.20 .XX± 0.15

DRAWN: Boris
 DATE: 10/16/2017

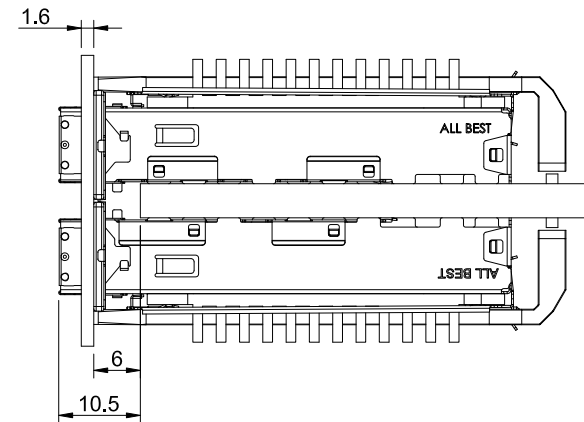
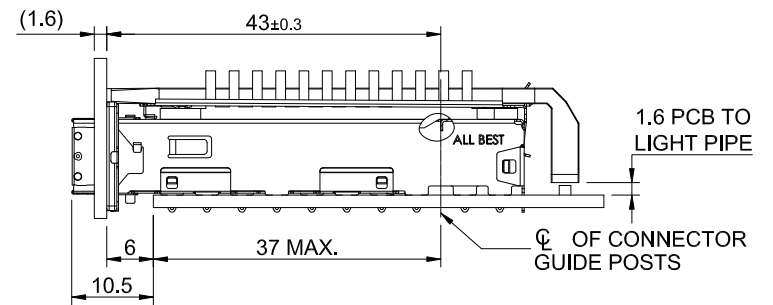



ONE SIDED CONFIGURATION



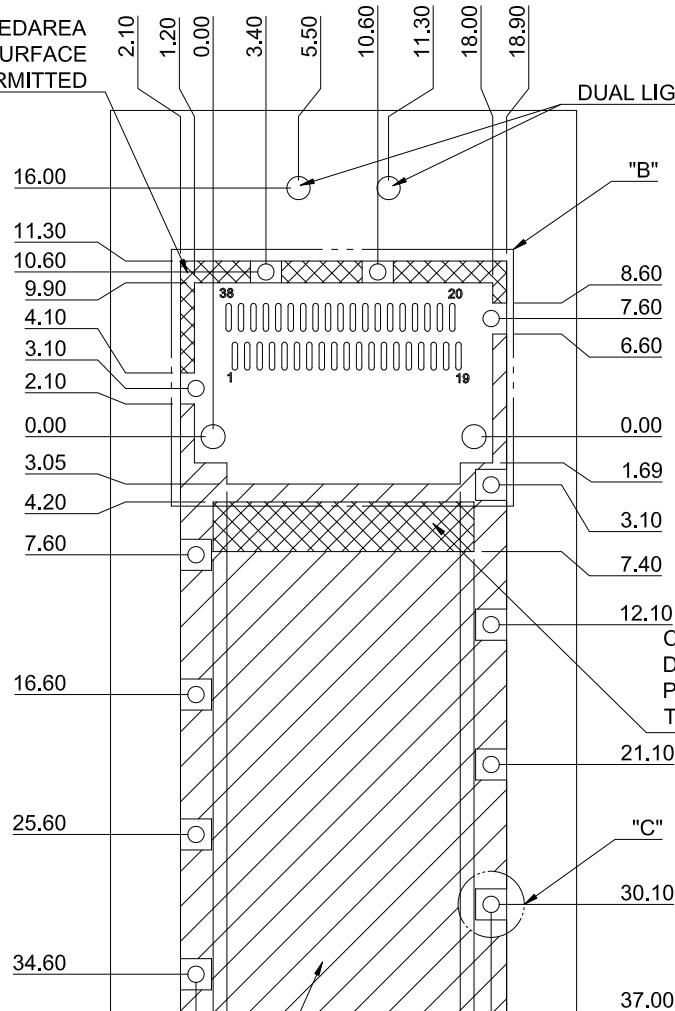
BELLY TO BELLY CONFIGURATION

C=THICKNESS OF PC BOARD
 SINGLE SIDED= 1.6MM(MIN.)
 DOUBLE SIDE= 4.5MM(MIN.)



 ALL BEST ALL BEST ELECTRONICS CO., LTD.	TITLE: QSFP+ 1X1 Cage Assembly w/ Light Pipe & Heat Sink		SHEET: 2/4		REV.: C	
	DWG#: R-OR-Q1-4CGE4		CHECKED: <i>George Yang</i>		APPROVED: <i>George Yang</i>	
	UNIT: mm	SCALE: A4 1:1	FINISH: RoHS Compliant	DRAWN: Boris		
	TOLERANCE: Angle: ± 1° X.± 0.15 .X± 0.10 .XX± 0.05		MATERIAL: RoHS Compliant	DATE: 10/16/2017		

CROSS HATCHED AREA DENOTES WHERE SURFACE TRACES ARE PERMITTED

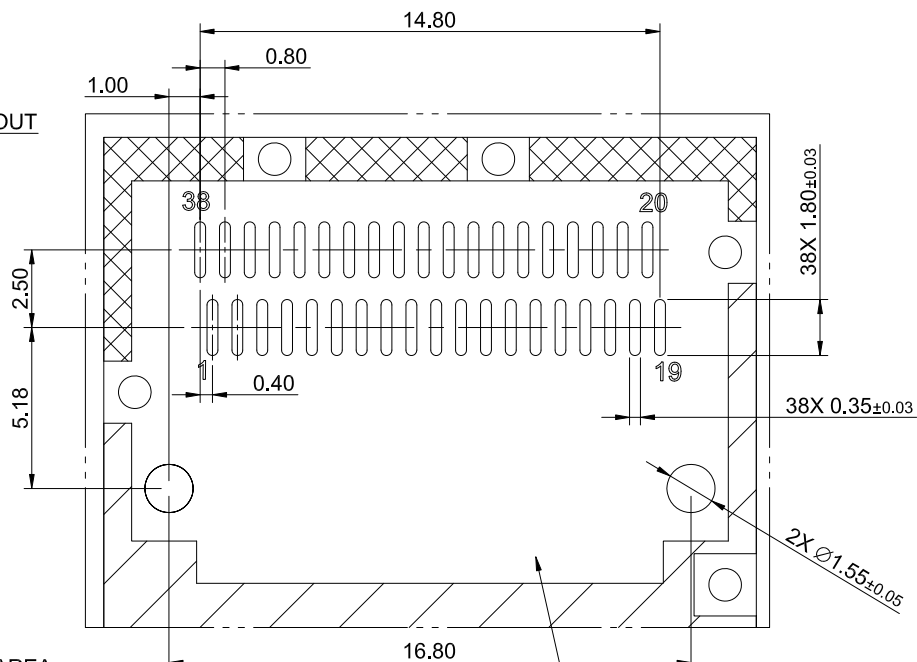


DUAL LIGHT PIPE LED LAYOUT

CROSS HATCHED AREA DENOTES EMI GROUNDING PAD (MUST BE CONNECTED TO CHASSIS GROUND)

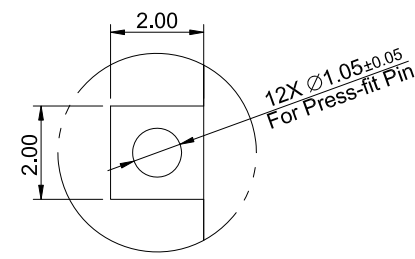
HATCHED AREA DENOTES COMPONENT AND TRACE KEEP-OUT (EXCEPT CHASSIS GROUND)

SINGLE SIDE PCB LAYOUT
TOLERANCE: ± 0.05
MINIMUM PCB THICKNESS OF 1.6 MM



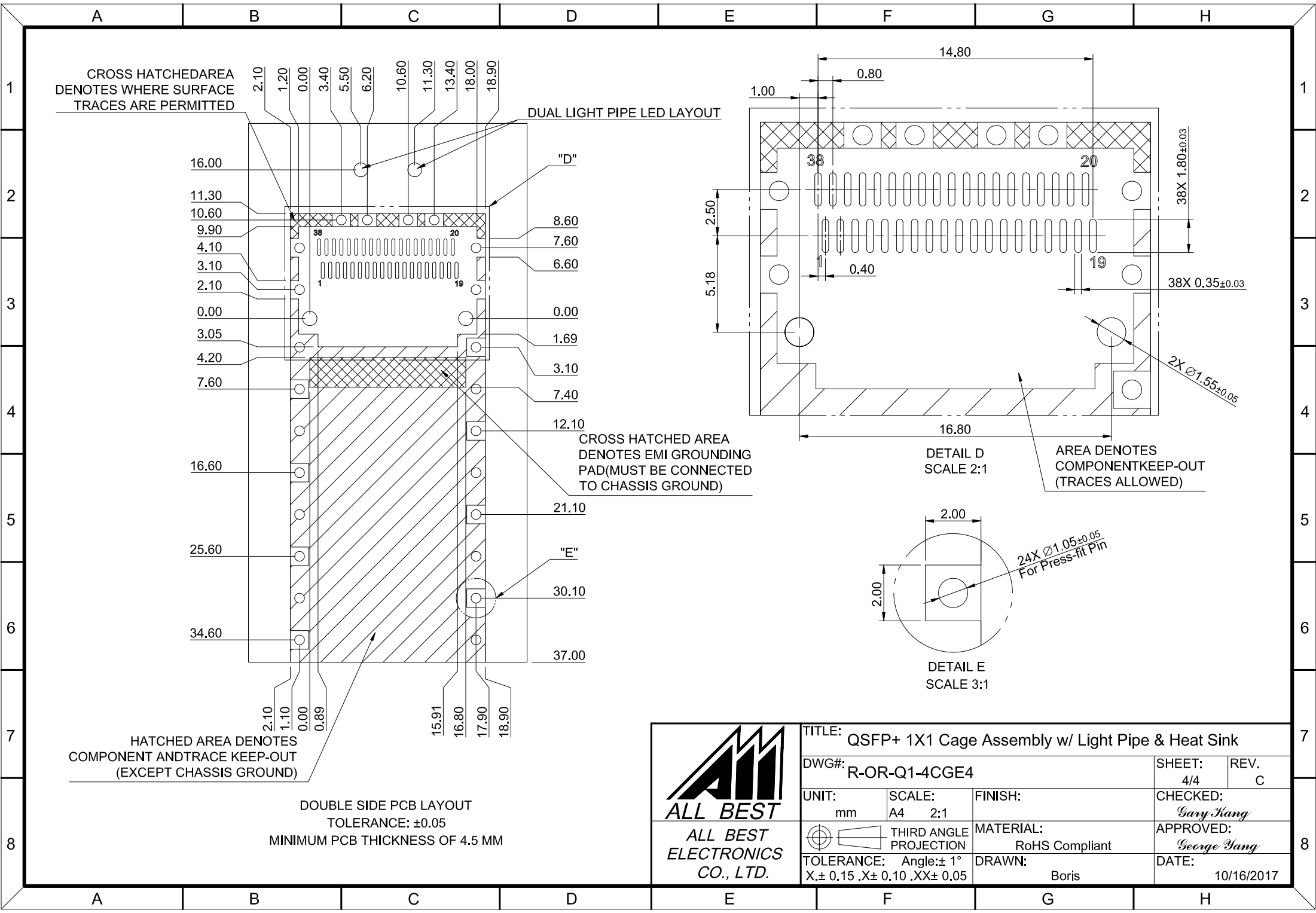
DETAIL B
SCALE 2:1

AREA DENOTES COMPONENT KEEP-OUT (TRACES ALLOWED)



DETAIL C
SCALE 3:1

 ALL BEST ALL BEST ELECTRONICS CO., LTD.	TITLE: QSFP+ 1X1 Cage Assembly w/ Light Pipe & Heat Sink		SHEET: 3/4	REV. C	
	DWG#: R-OR-Q1-4CGE4		CHECKED: Gary Kang		
	UNIT: mm	SCALE: A4 2:1	FINISH: RoHS Compliant	APPROVED: George Yang	
	TOLERANCE: $X \pm 0.15$, $.X \pm 0.10$, $.XX \pm 0.05$		MATERIAL: RoHS Compliant	DATE: 10/16/2017	
THIRD ANGLE PROJECTION		DRAWN: Boris			



CROSS HATCHED AREA DENOTES WHERE SURFACE TRACES ARE PERMITTED

DUAL LIGHT PIPE LED LAYOUT

CROSS HATCHED AREA DENOTES EMI GROUNDING PAD (MUST BE CONNECTED TO CHASSIS GROUND)


DETAIL D SCALE 2:1

AREA DENOTES COMPONENT KEEP-OUT (TRACES ALLOWED)

DETAIL E SCALE 3:1

HATCHED AREA DENOTES COMPONENT AND TRACE KEEP-OUT (EXCEPT CHASSIS GROUND)

DOUBLE SIDE PCB LAYOUT
TOLERANCE: ±0.05
MINIMUM PCB THICKNESS OF 4.5 MM

 ALL BEST ELECTRONICS CO., LTD.	TITLE: QSFP+ 1X1 Cage Assembly w/ Light Pipe & Heat Sink			SHEET: 4/4		REV. C	
	DWG#: R-OR-Q1-4CGE4			CHECKED: Gary Kang		APPROVED: George Yang	
	UNIT: mm	SCALE: A4 2:1	FINISH:	MATERIAL: RoHS Compliant		DATE: 10/16/2017	
	TOLERANCE: X±0.15 .X±0.10 .XX±0.05		THIRD ANGLE PROJECTION	DRAWN: Boris			