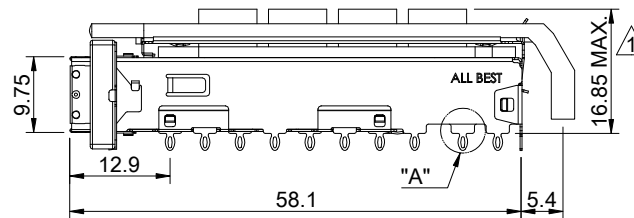
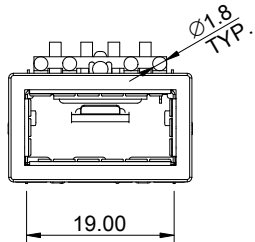
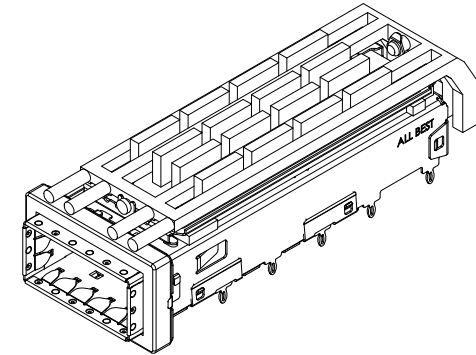


DETAIL A  
SCALE 5:1



MATERIAL  
 CAGE: NICKEL SILVER  
 HEAT SINK: ALUMINUM  
 HEAT SINK CLIP: STAINLESS STEEL  
 EMI SPRING: STAINLESS STEEL  
 EMI GASKET FLANGE: STAINLESS STEEL  
 EMI GASKET: CONDUCTIVE ELASTOMER  
 LIGHT PIPE: PC

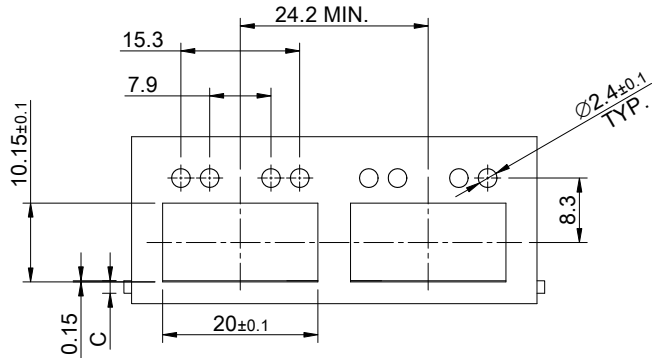
FINISH  
 HEAT SINK: ANODE PROCESS

NOTE  
 ▲ DIMENSION APPLIES WITH MODULE INSERTED IN CAGE

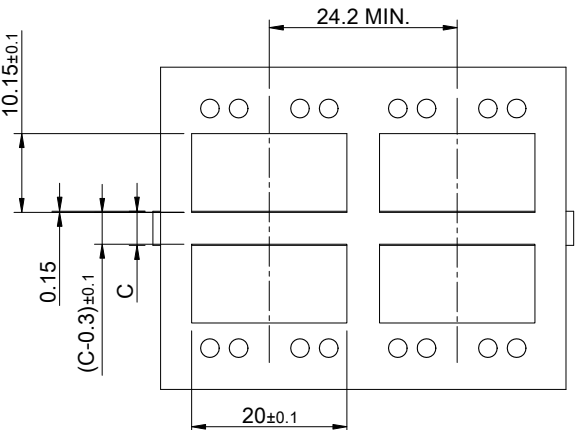
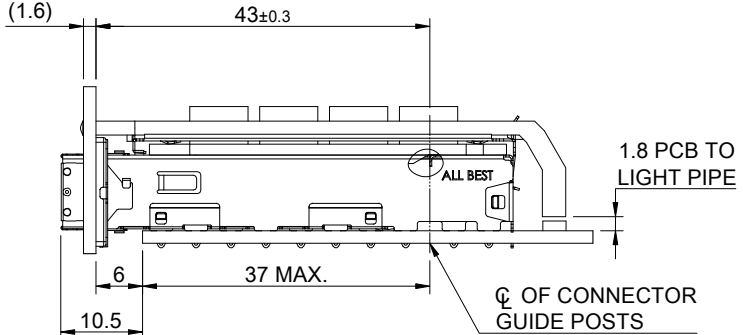
THIS PRINT IS  
**PRELIMINARY**  
 UNQUALIFIED PRODUCT  
 CONTACT PRODUCT ENGINEERING  
 BEFORE USING THIS PRINT



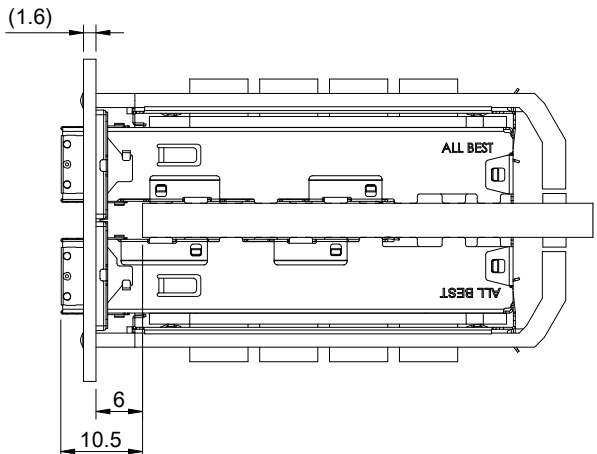
TITLE: QSFP+ 1X1 Cage Assembly w/ Light Pipe & Heat Sink			
DWG#: R-OR-Q1-4CGEH		SHEET: 1/4	REV. REF
UNIT: mm	SCALE: A4 1:1	CHECKED:	
THIRD ANGLE PROJECTION		APPROVED:	
TOLERANCE: Angle: ± 1°		MATERIAL: RoHS Compliant	DATE: 03/15/2024
X: ± 0.25 .X: ± 0.20 .XX: ± 0.15		DRAWN: Gary	



SINGLE-SIDE CONFIGURATION



BELLY TO BELLY CONFIGURATION

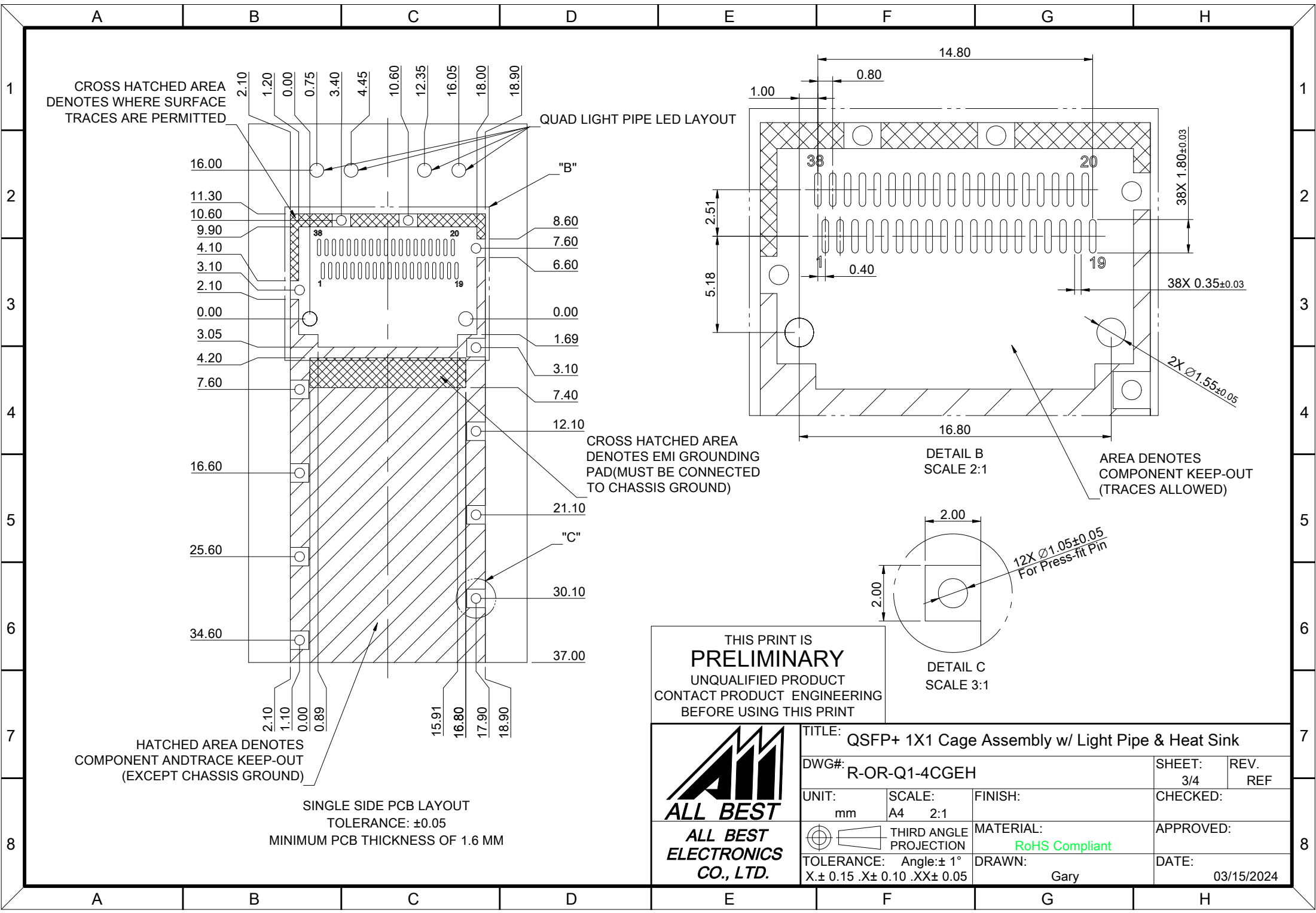


C = THICKNESS OF PC BOARD  
 SINGLE-SIDE = 1.6MM (MIN.)  
 BELLY TO BELLY = 4.4MM (MIN.)

THIS PRINT IS  
**PRELIMINARY**  
 UNQUALIFIED PRODUCT  
 CONTACT PRODUCT ENGINEERING  
 BEFORE USING THIS PRINT



TITLE: QSFP+ 1X1 Cage Assembly w/ Light Pipe & Heat Sink			
DWG#: R-OR-Q1-4CGEH		SHEET: 2/4	REV. REF
UNIT: mm	SCALE: A4 1:1	CHECKED:	
THIRD ANGLE PROJECTION		APPROVED:	
TOLERANCE: Angle: ± 1°		MATERIAL: RoHS Compliant	DATE: 03/15/2024
X ± 0.15 .X ± 0.10 .XX ± 0.05		DRAWN: Gary	



CROSS HATCHED AREA DENOTES WHERE SURFACE TRACES ARE PERMITTED

QUAD LIGHT PIPE LED LAYOUT

CROSS HATCHED AREA DENOTES EMI GROUNDING PAD (MUST BE CONNECTED TO CHASSIS GROUND)

HATCHED AREA DENOTES COMPONENT AND TRACE KEEP-OUT (EXCEPT CHASSIS GROUND)

SINGLE SIDE PCB LAYOUT  
TOLERANCE: ±0.05  
MINIMUM PCB THICKNESS OF 1.6 MM

THIS PRINT IS  
**PRELIMINARY**

UNQUALIFIED PRODUCT  
CONTACT PRODUCT ENGINEERING  
BEFORE USING THIS PRINT



TITLE: QSFP+ 1X1 Cage Assembly w/ Light Pipe & Heat Sink

DWG#: R-OR-Q1-4CGEH SHEET: 3/4 REV. REF

UNIT: mm SCALE: A4 2:1 FINISH: CHECKED:

MATERIAL: RoHS Compliant APPROVED:

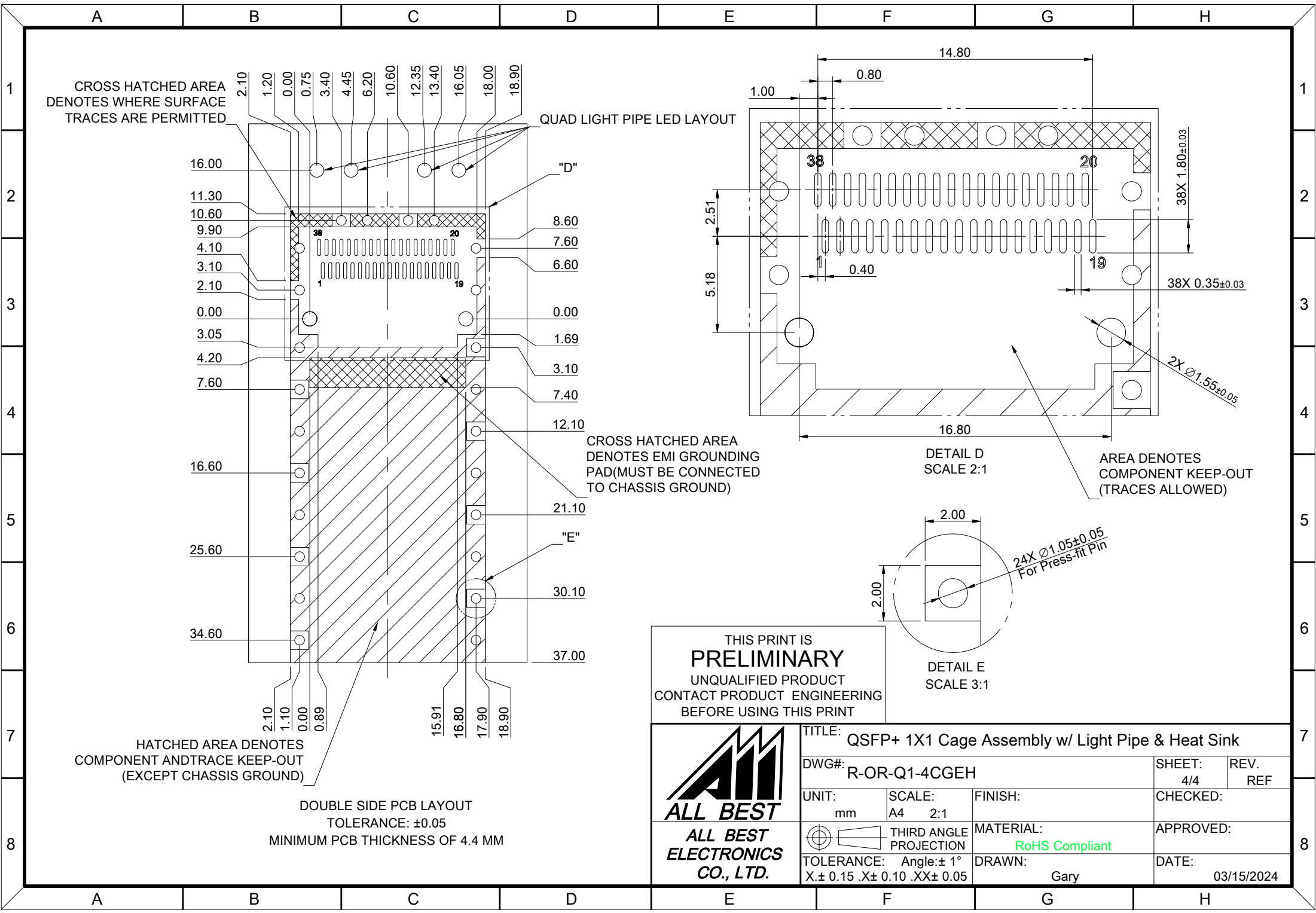
TOLERANCE: X ± 0.15 .X ± 0.10 .XX ± 0.05 DRAWN: Gary DATE: 03/15/2024

DETAIL B  
SCALE 2:1

AREA DENOTES  
COMPONENT KEEP-OUT  
(TRACES ALLOWED)

DETAIL C  
SCALE 3:1

12X Ø1.05±0.05  
For Press-fit Pin



CROSS HATCHED AREA DENOTES WHERE SURFACE TRACES ARE PERMITTED

QUAD LIGHT PIPE LED LAYOUT

CROSS HATCHED AREA DENOTES EMI GROUNDING PAD (MUST BE CONNECTED TO CHASSIS GROUND)

HATCHED AREA DENOTES COMPONENT AND TRACE KEEP-OUT (EXCEPT CHASSIS GROUND)

DOUBLE SIDE PCB LAYOUT  
TOLERANCE:  $\pm 0.05$   
MINIMUM PCB THICKNESS OF 4.4 MM

THIS PRINT IS  
**PRELIMINARY**

UNQUALIFIED PRODUCT  
CONTACT PRODUCT ENGINEERING  
BEFORE USING THIS PRINT



TITLE: QSFP+ 1X1 Cage Assembly w/ Light Pipe & Heat Sink

DWG#: R-OR-Q1-4CGEH

UNIT: mm    SCALE: A4 2:1    FINISH:    SHEET: 4/4    REV. REF

TOLERANCE:  $X \pm 0.15$  .XX  $\pm 0.05$     THIRD ANGLE PROJECTION    MATERIAL: RoHS Compliant    CHECKED:    APPROVED:

DATE: 03/15/2024  
DRAWN: Gary