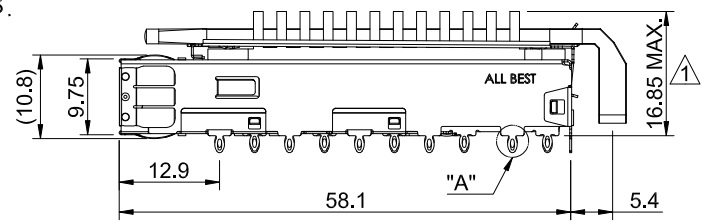
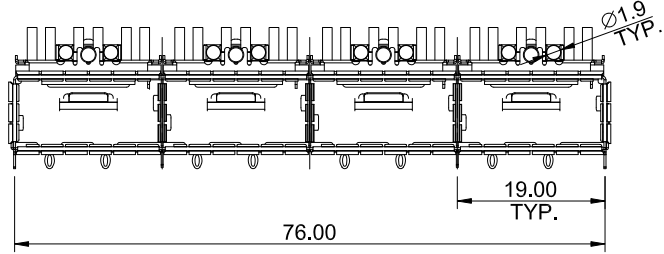


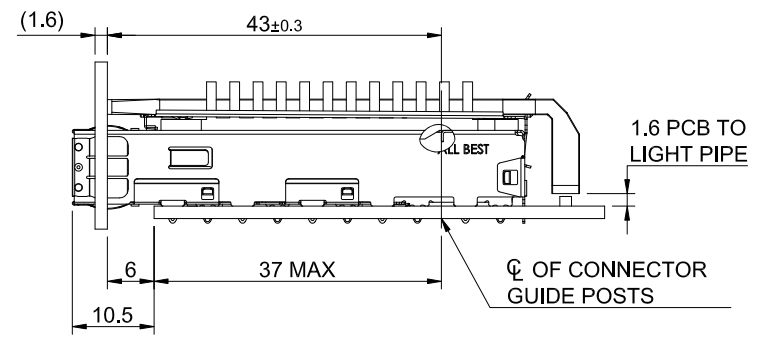
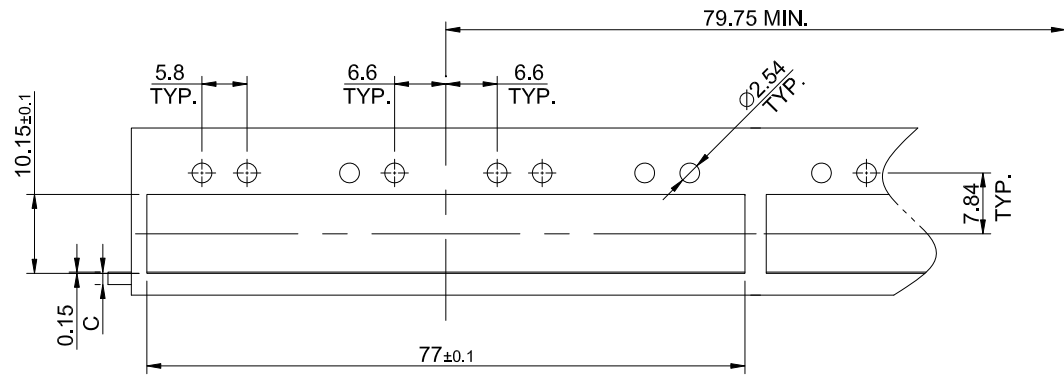
MATERIAL  
 CAGE: NICKLE SILVER  
 HEAT SINK: ALUMINUM  
 HEAT SINK CLIP: STAINLESS STEEL  
 EMI SPRING: STAINLESS STEEL  
 LIGHT PIPE: PC

FINISH  
 HEAT SINK: ANODE PROCESS

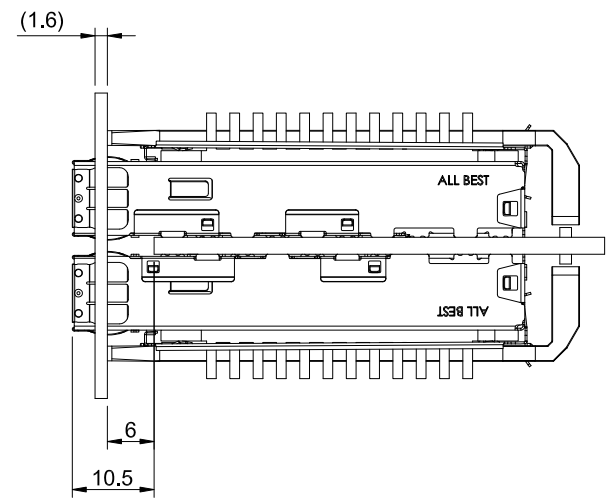
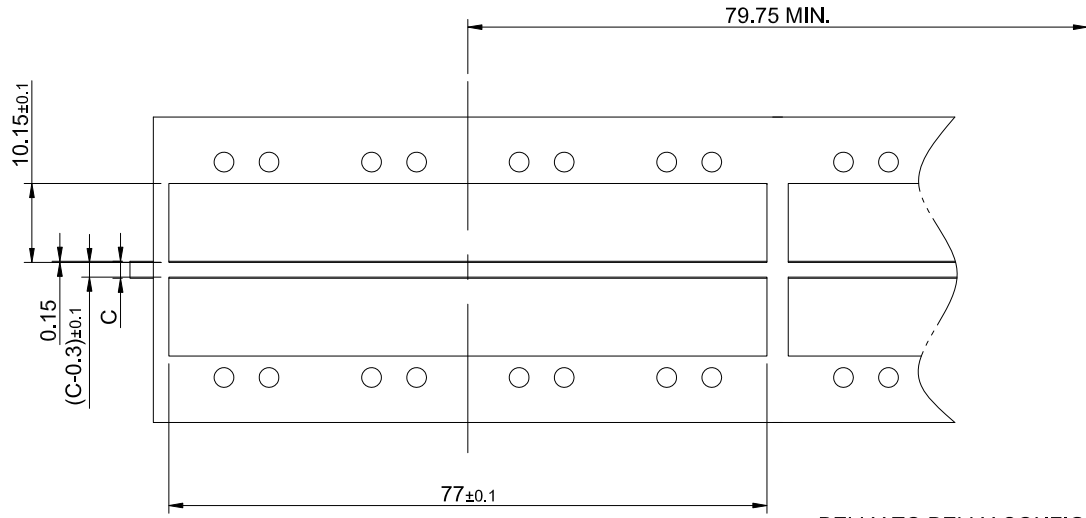
NOTE  
 ▲ DIMENSION APPLIES WITH MODULE INSERTED IN CAGE



TITLE: QSFP+ 1X4 Cage Assembly w/ Light Pipe & Heat Sink			
DWG#: R-OR-Q4-4CME4		SHEET: 1/4	REV. C
UNIT: mm	SCALE: A4 1:1	FINISH:	CHECKED: Gary Kang
THIRD ANGLE PROJECTION		MATERIAL: RoHS Compliant	APPROVED: George Yang
TOLERANCE: Angle: ± 1° X.± 0.25 .X± 0.20 .XX± 0.15		DRAWN: Boris	DATE: 04/30/2018



SINGLE-SIDE CONFIGURATION

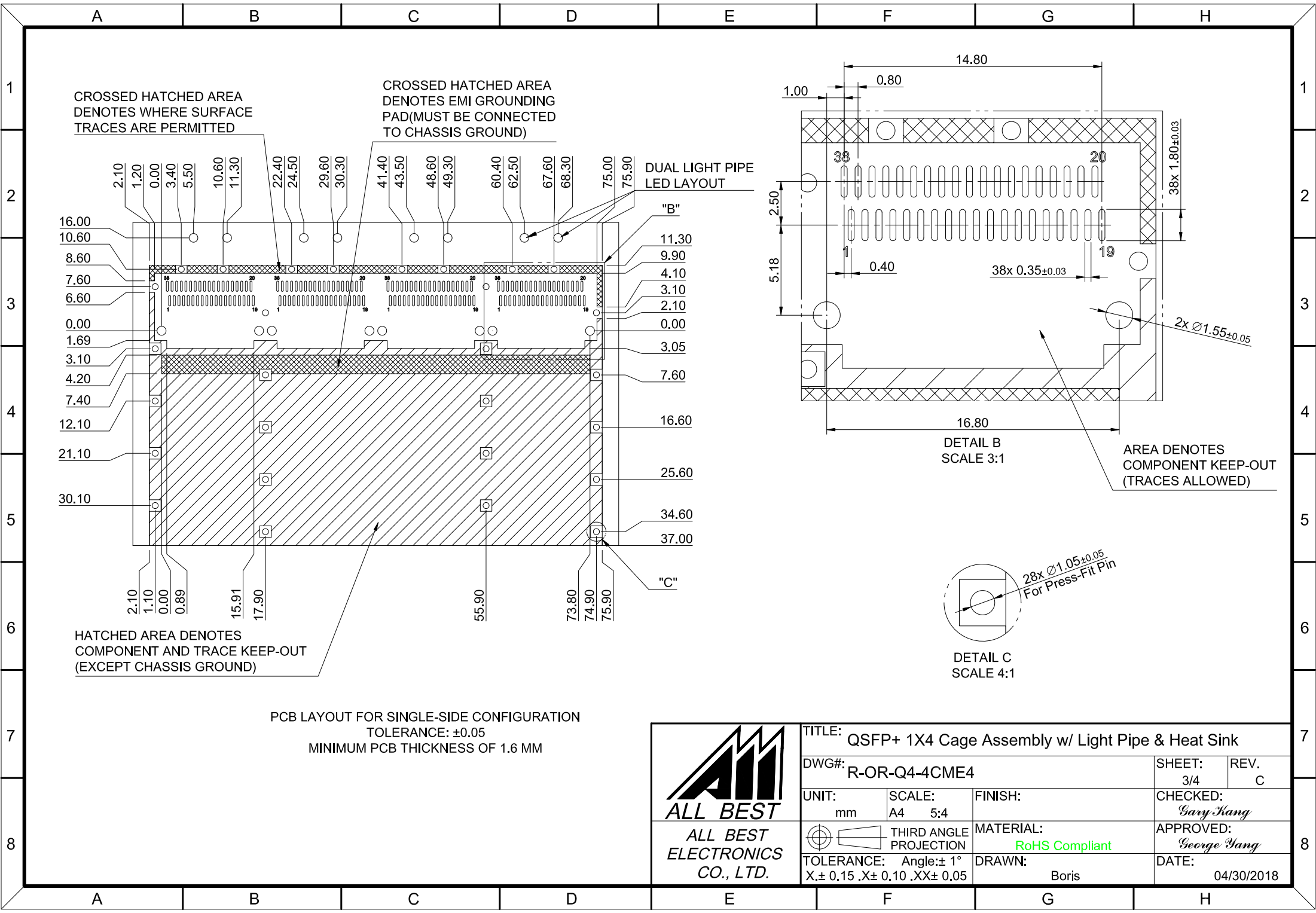



BELLY TO BELLY CONFIGURATION

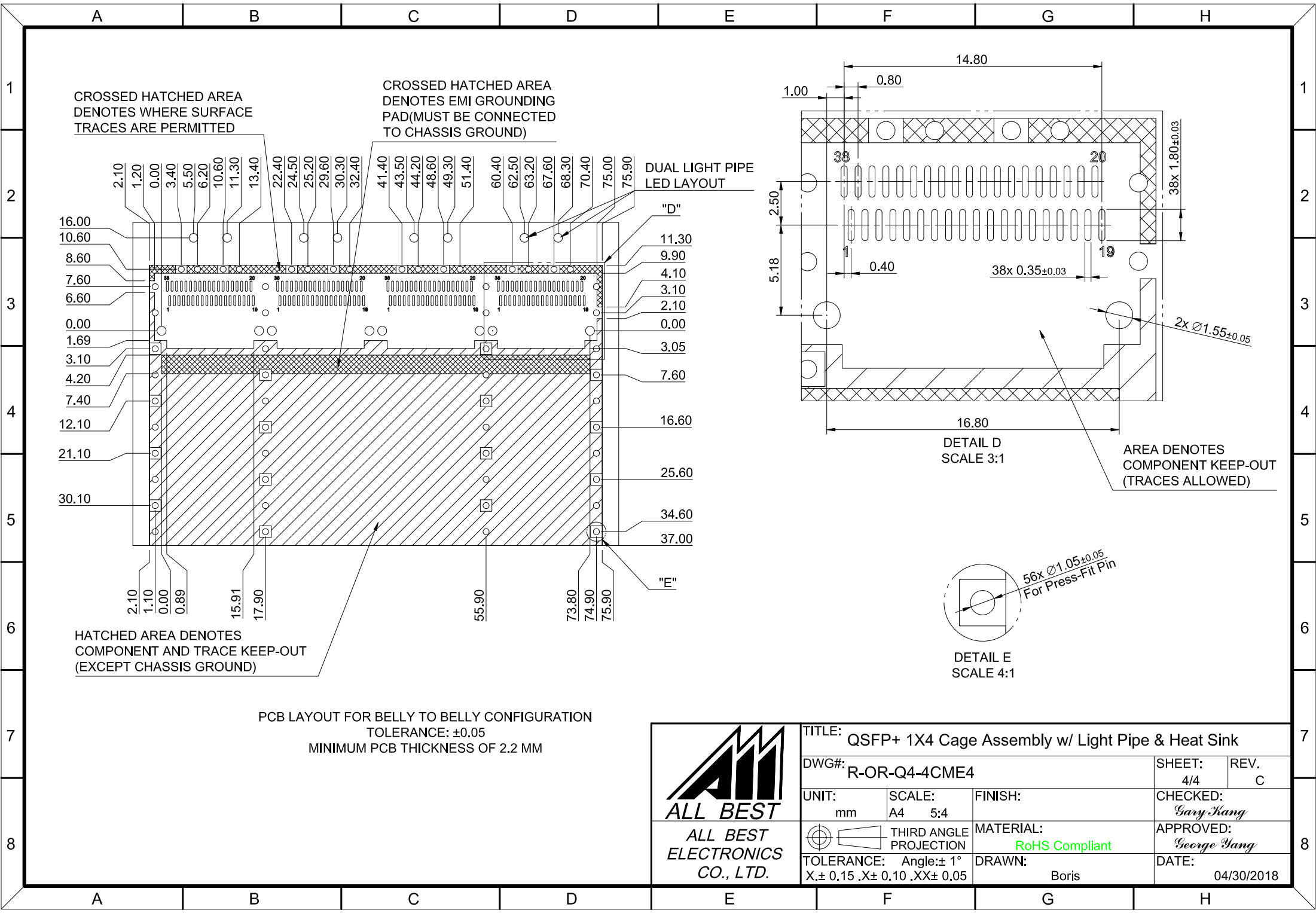
C = THICKNESS OF PC BOARD  
 SINGLE-SIDE = 1.6MM (MIN.)  
 BELLY TO BELLY = 2.2MM (MIN.)



TITLE: QSFP+ 1X4 Cage Assembly w/ Light Pipe & Heat Sink			
DWG#: R-OR-Q4-4CME4		SHEET: 2/4	REV. C
UNIT: mm	SCALE: A4 1:1	FINISH:	CHECKED: Gary Yang
TOLERANCE: X± 0.15 .X± 0.10 .XX± 0.05		MATERIAL: RoHS Compliant	APPROVED: George Yang
THIRD ANGLE PROJECTION		DRAWN: Boris	DATE: 04/30/2018



 <b>ALL BEST</b> ALL BEST ELECTRONICS CO., LTD.	<b>TITLE:</b> QSFP+ 1X4 Cage Assembly w/ Light Pipe & Heat Sink		<b>SHEET:</b> 3/4		<b>REV.</b> C	
	<b>DWG#:</b> R-OR-Q4-4CME4		<b>CHECKED:</b> <i>Gary Kang</i>			
<b>UNIT:</b> mm	<b>SCALE:</b> A4 5:4	<b>FINISH:</b>	<b>APPROVED:</b> <i>George Yang</i>			
<b>TOLERANCE:</b> Angle: $\pm 1^\circ$ $X \pm 0.15$ . $X \pm 0.10$ . $XX \pm 0.05$		<b>MATERIAL:</b> <span style="color: green;">RoHS Compliant</span>	<b>DATE:</b> 04/30/2018			
		<b>DRAWN:</b> Boris				



CROSSED HATCHED AREA DENOTES WHERE SURFACE TRACES ARE PERMITTED

CROSSED HATCHED AREA DENOTES EMI GROUNDING PAD (MUST BE CONNECTED TO CHASSIS GROUND)

DUAL LIGHT PIPE LED LAYOUT

HATCHED AREA DENOTES COMPONENT AND TRACE KEEP-OUT (EXCEPT CHASSIS GROUND)

56x 1.05±0.05 For Press-Fit Pin

AREA DENOTES COMPONENT KEEP-OUT (TRACES ALLOWED)

PCB LAYOUT FOR BELLY TO BELLY CONFIGURATION  
TOLERANCE: ±0.05  
MINIMUM PCB THICKNESS OF 2.2 MM



TITLE: QSFP+ 1X4 Cage Assembly w/ Light Pipe & Heat Sink			
DWG#: R-OR-Q4-4CME4		SHEET: 4/4	REV. C
UNIT: mm	SCALE: A4 5:4	FINISH:	CHECKED: Gary Kang
THIRD ANGLE PROJECTION		MATERIAL: RoHS Compliant	APPROVED: George Yang
TOLERANCE: Angle: ± 1° X ± 0.15 .X ± 0.10 .XX ± 0.05		DRAWN: Boris	DATE: 04/30/2018